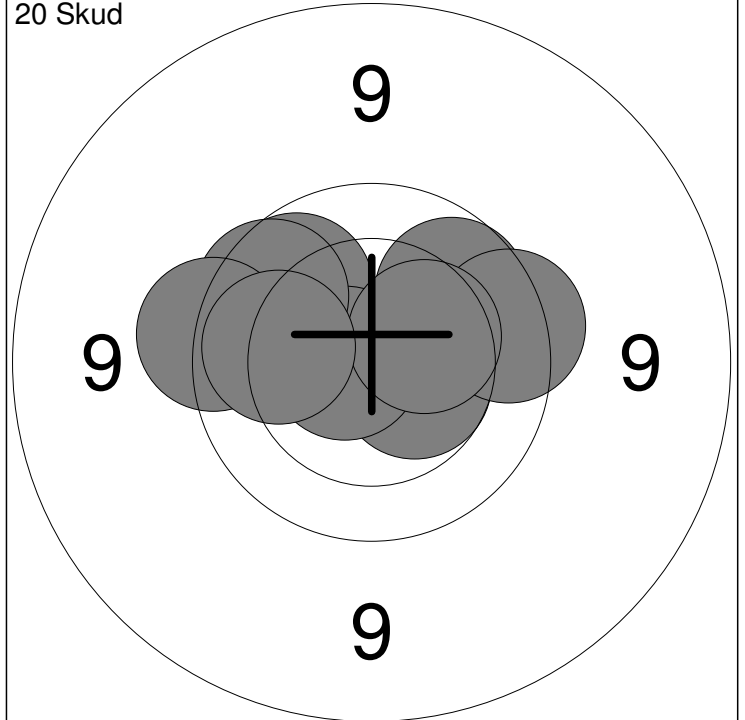
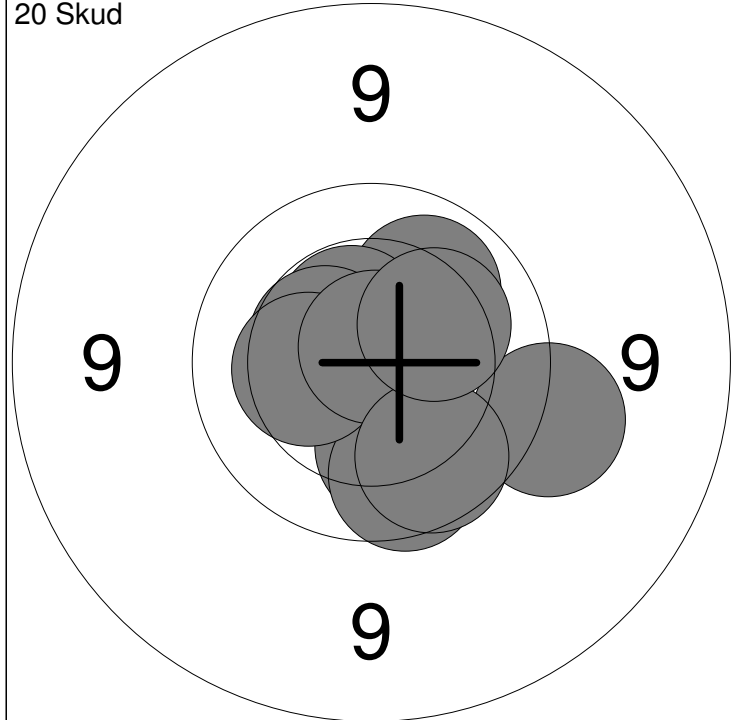


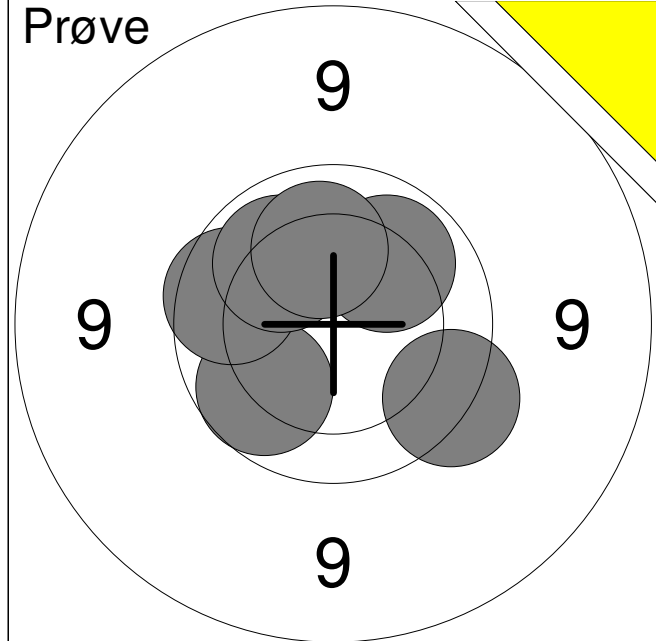
1: 9.9 ←	6: 9.7 ↗	Serie 93
2: 9.5 ↗	7: 9.9 ↗	
3: 10.1 ↗	8: 9.9 ←	Total 0
4: 9.9 ↗	9: 10.4 ↑	
5: 9.5 ↗	10: 10.2 ↗	

11: 10.3 ↖	Serie 20
12: 10.0 ↙	
	Total 0

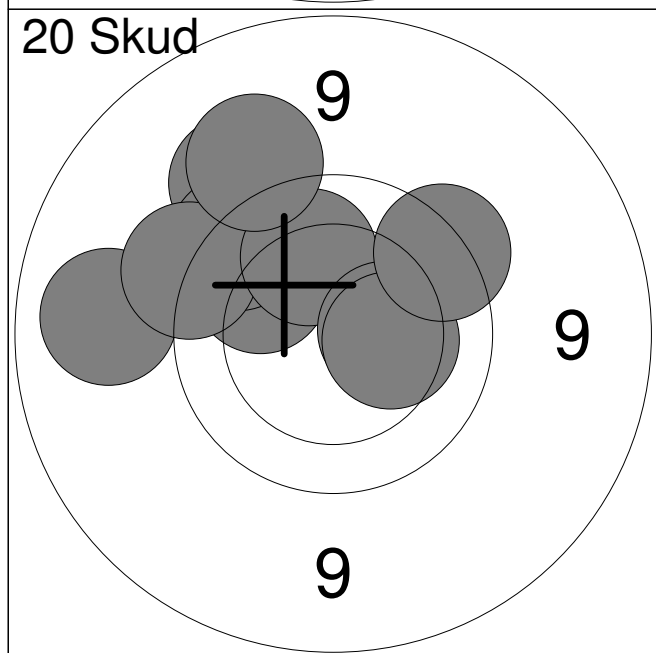


1: 10.1 ↓	6: 10.5 ←	Serie 97
2: 9.5 →	7: 10.3 ←	
3: 10.1 ↗	8: 10.8x ↑	Total 97
4: 10.5x ↗	9: 9.9 ↓	
5: 9.9 ↓	10: 10.2 ↗	

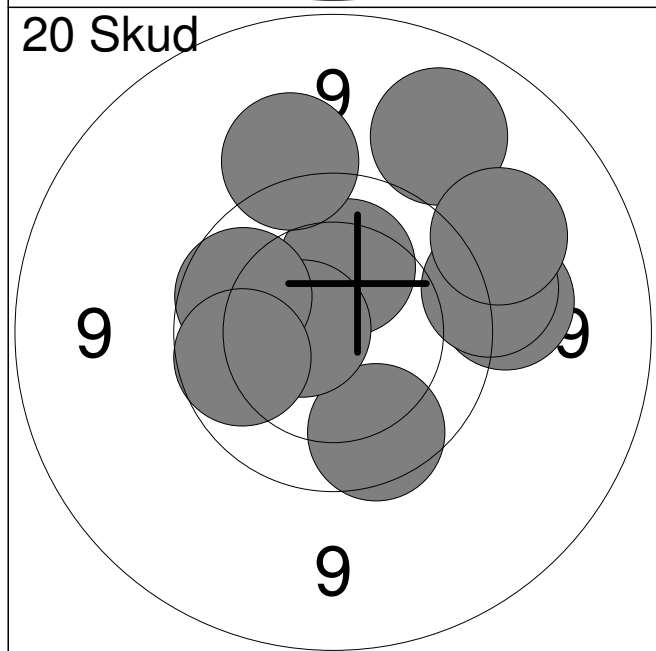
11: 10.0 ←	16: 10.7x ←	Serie 95
12: 9.9 ↗	17: 9.8 ↖	
13: 9.9 ↗	18: 10.4 ↗	Total 192
14: 10.5 →	19: 9.6 ←	
15: 9.7 →	20: 10.0 ←	



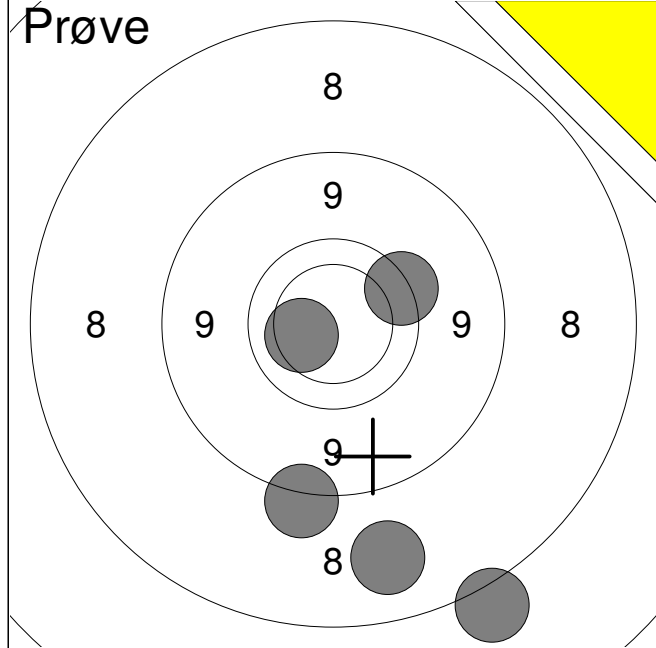
1:	9.9	↙
2:	9.9	←
3:	10.1	↗
4:	9.6	↘
5:	10.1	↗
6:	10.1	↑
Serie		57
Total		0



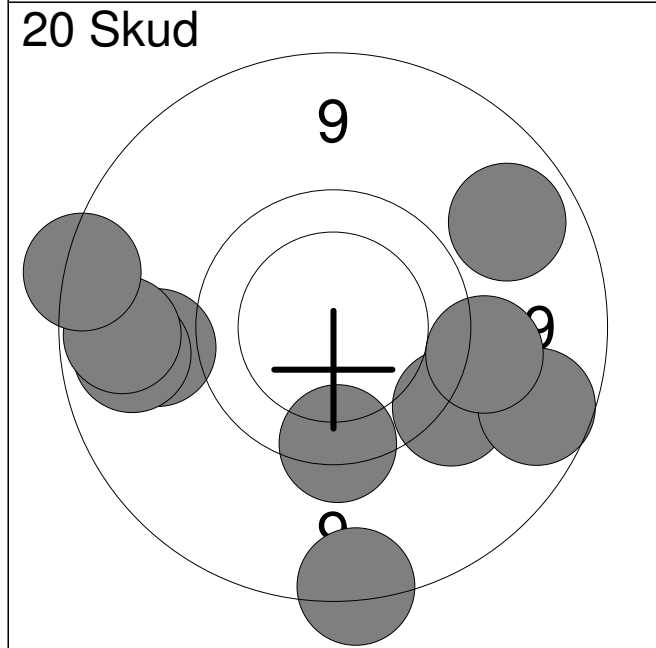
1:	9.4	↗
2:	10.0	↗
3:	9.1	←
4:	9.7	↗
5:	9.5	↖
6:	10.1	↑
7:	10.4	→
8:	10.3	→
9:	9.3	↑
10:	9.7	↗
Serie		94
Total		94



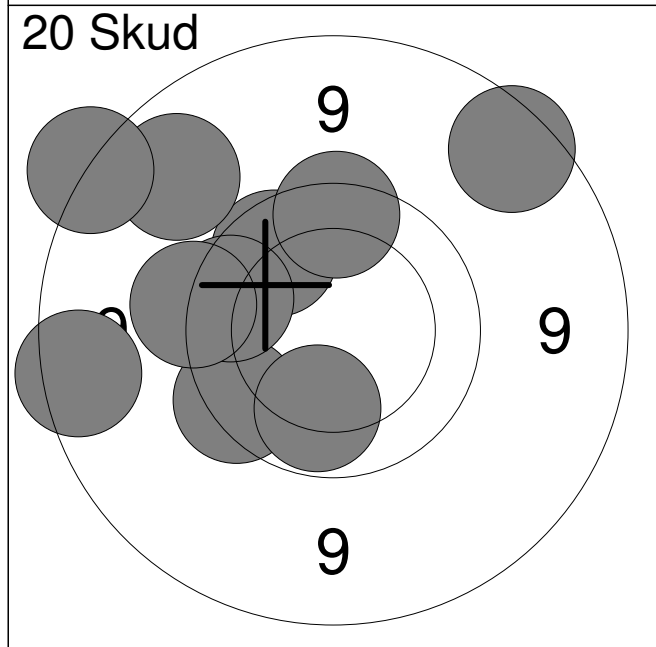
11:	9.4	→
12:	10.2	↑
13:	9.8	↘
14:	10.6x	←
15:	9.9	↖
16:	9.1	↗
17:	9.5	→
18:	9.3	↗
19:	9.4	↑
20:	9.9	←
Serie		92
Total		186



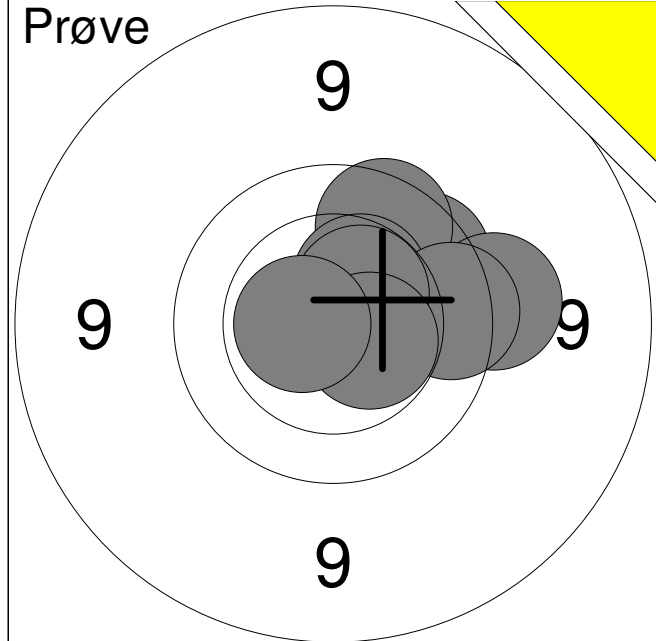
1:	8.2	↓
2:	7.5	↓
3:	8.6	↓
4:	10.3	←
5:	9.6	→
Serie		42
Total		0



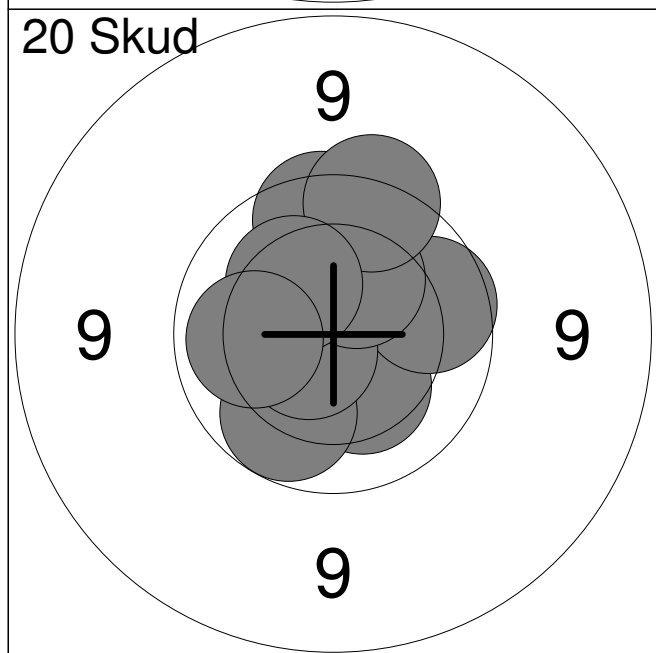
1:	9.5	↘
2:	8.7	↓
3:	8.9	↘
4:	9.4	→
5:	9.2	←
6:	9.0	↗
7:	9.0	←
8:	9.0	←
9:	8.8	←
10:	9.7	↓
Serie		87
Total		87



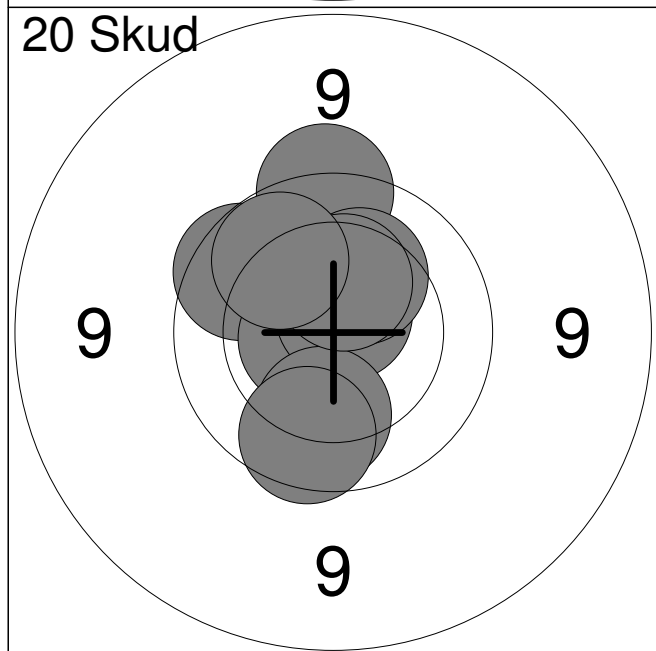
11:	9.9	↗
12:	9.7	←
13:	9.7	↑
14:	10.0	↓
15:	8.8	↗
16:	9.0	↗
17:	9.8	←
18:	8.7	↗
19:	9.6	←
20:	8.8	←
Serie		88
Total		175



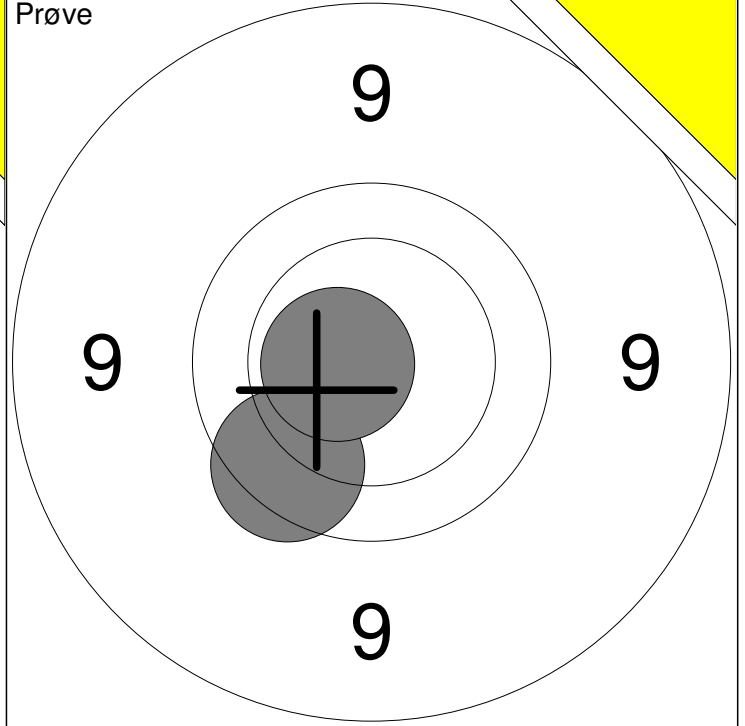
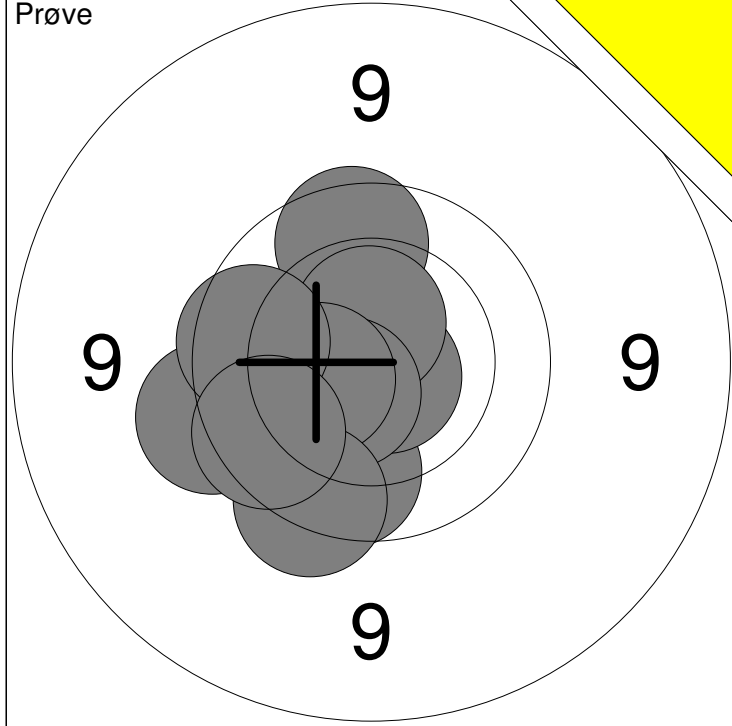
1:	9.8	↗
2:	9.8	↑
3:	9.5	→
4:	10.4	↗
5:	9.8	→
6:	10.5x	↗
7:	10.5x	→
8:	10.6x	←
Serie		76
Total		0



1:	10.5x	↗
2:	10.3	↘
3:	9.8	↑
4:	9.9	→
5:	10.0	↘
6:	10.6x	←
7:	10.3	↗
8:	9.7	↑
9:	10.2	↖
10:	10.1	←
Serie		97
Total		97

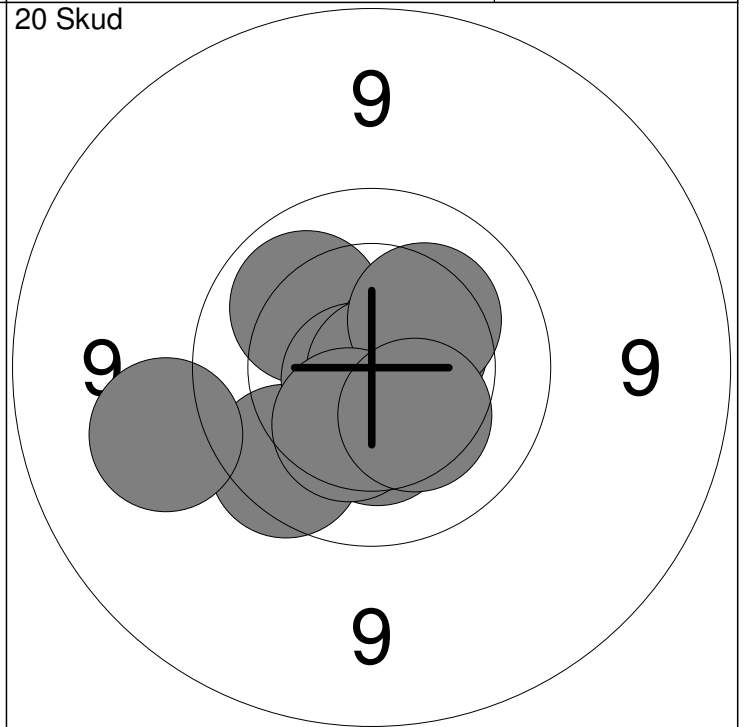
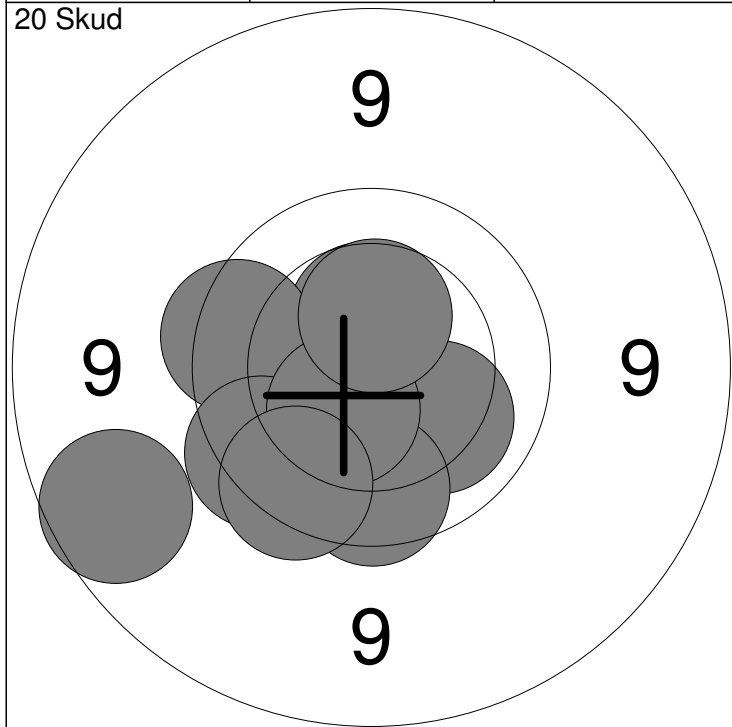


11:	10.5x	↖
12:	9.6	↑
13:	9.8	↖
14:	10.7x	←
15:	10.7x	↗
16:	10.3	↗
17:	10.0	↘
18:	10.4	↑
19:	9.9	↘
20:	10.0	↖
Serie		97
Total		194



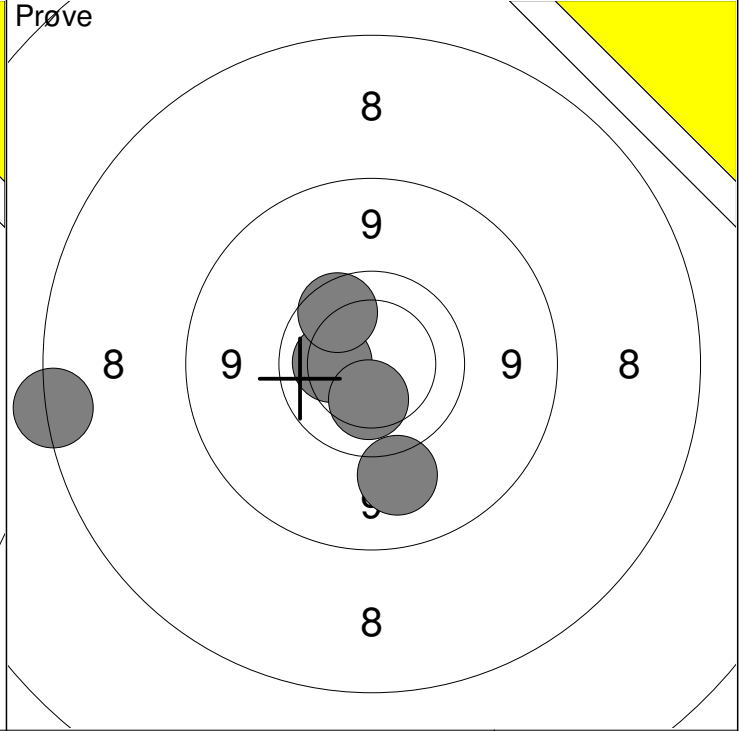
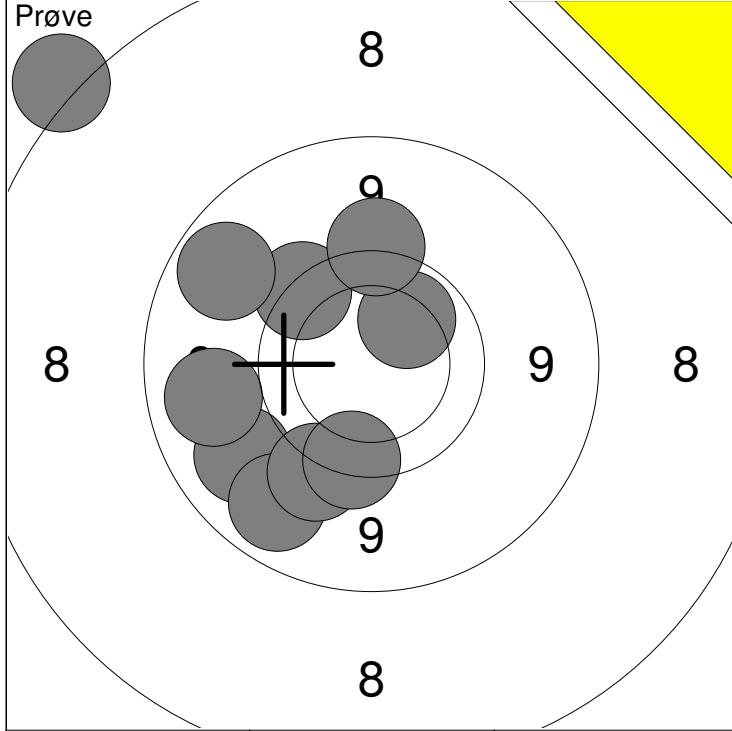
1: 9.9 ↑	6: 10.5x ↘	Serie	94
2: 9.6 ←	7: 10.4 ←		
3: 9.9 ↓	8: 9.9 ←	Total	0
4: 10.8x ↘	9: 9.7 ↓		
5: 10.6x ↑	10: 9.8 ↙		

11: 9.8 ↘	Serie	19
12: 10.6x ←		
Total		0



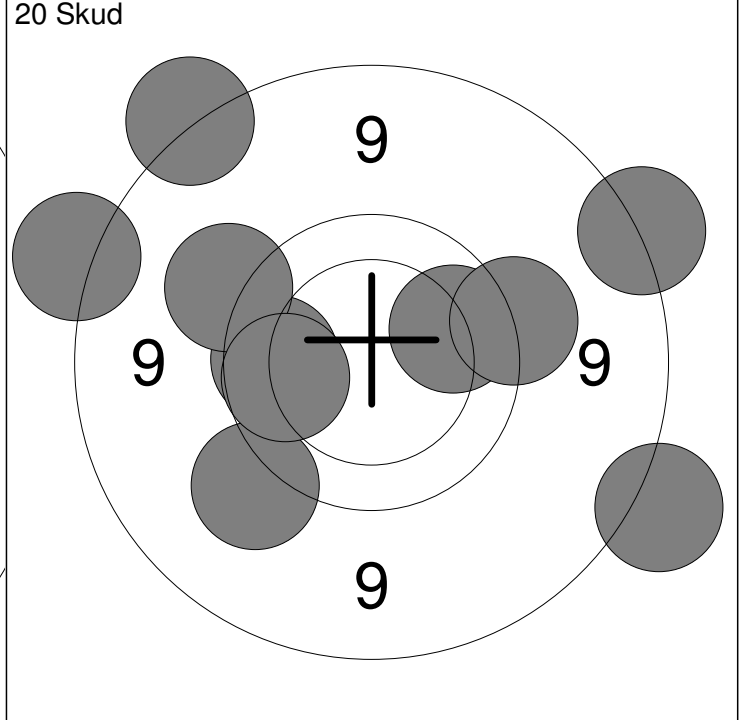
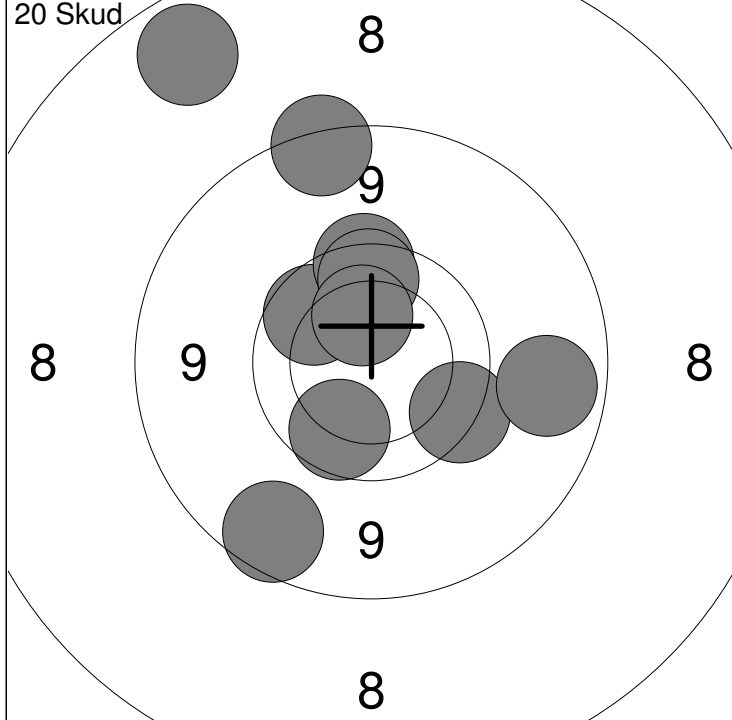
1: 10.5 ↓	6: 9.8 ↓	Serie	94
2: 10.1 ↘	7: 10.5 ↓		
3: 10.5 ↑	8: 10.4 ↑	Total	94
4: 9.8 ←	9: 9.7 ↓		
5: 9.7 ↙	10: 8.9 ←		

11: 9.8 ↘	16: 10.5x ↗	Serie	98
12: 10.3 ↓	17: 10.8x ↘		
13: 10.1 ↖	18: 10.3 ↗	Total	192
14: 9.3 ←	19: 10.3 ↓		
15: 10.8x ↙	20: 10.3 ↘		



1: 9.1 ↙	6: 7.6 ↖	Serie 89
2: 9.0 ↘	7: 10.1 ↗	
3: 9.1 ←	8: 9.6 ↖	Total 0
4: 9.5 ↘	9: 9.5 ↑	
5: 9.7 ↘	10: 9.0 ↖	

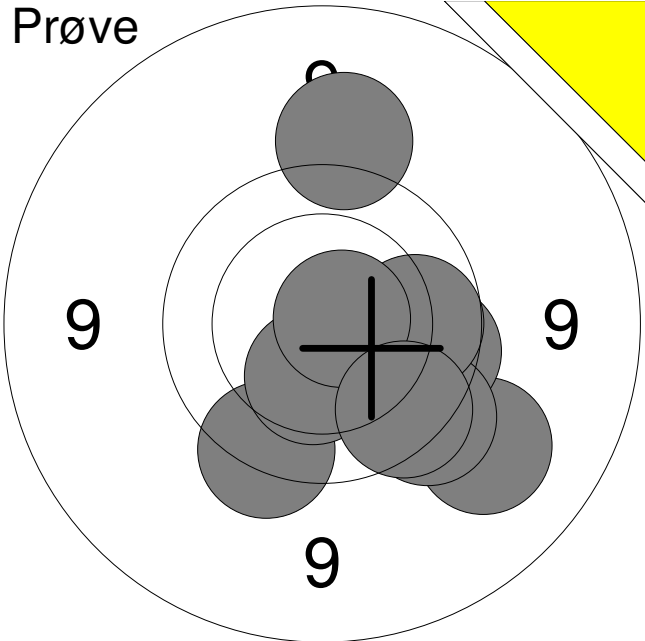
11: 7.7 ←	Serie 45
12: 10.2 ←	
13: 9.9 ↗	Total 0
14: 9.3 ↘	
15: 10.3 ↘	



1: 9.9 ↖	6: 10.2 ↑	Serie 88
2: 8.0 ↗	7: 8.9 ↘	
3: 9.7 ↑	8: 9.7 ↘	Total 88
4: 9.9 ↘	9: 8.7 ↑	
5: 9.8 ↑	10: 9.0 →	

11: 9.4 ↘	16: 9.4 ↖	Serie 86
12: 8.6 ↘	17: 8.6 ←	
13: 8.6 ↗	18: 9.9 ←	Total 174
14: 9.9 ←	19: 8.7 ↗	
15: 9.9 →	20: 9.5 →	

Prøve

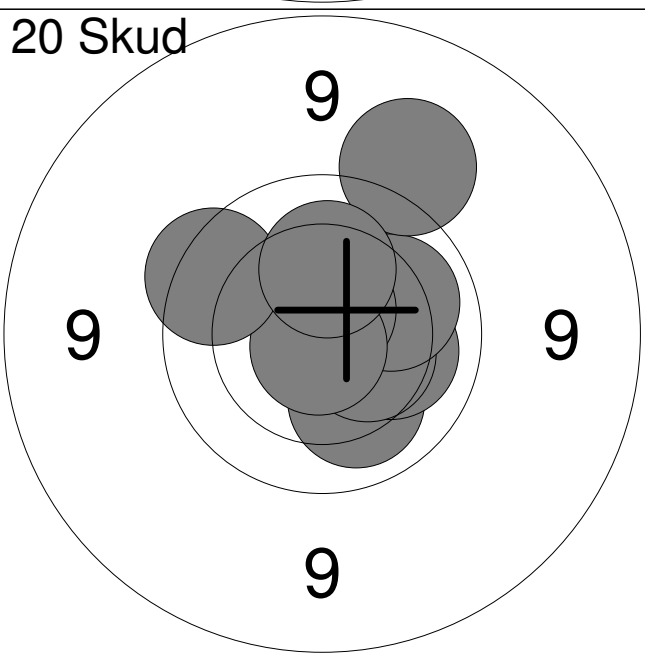


1:	9.3	↘
2:	10.2	↘
3:	9.7	↘
4:	9.8	→
5:	9.4	↑
6:	10.4	↘
7:	9.6	↘
8:	9.9	→
9:	10.7x	→
10:	9.8	↘

Serie **93**

Total **0**

20 Skud

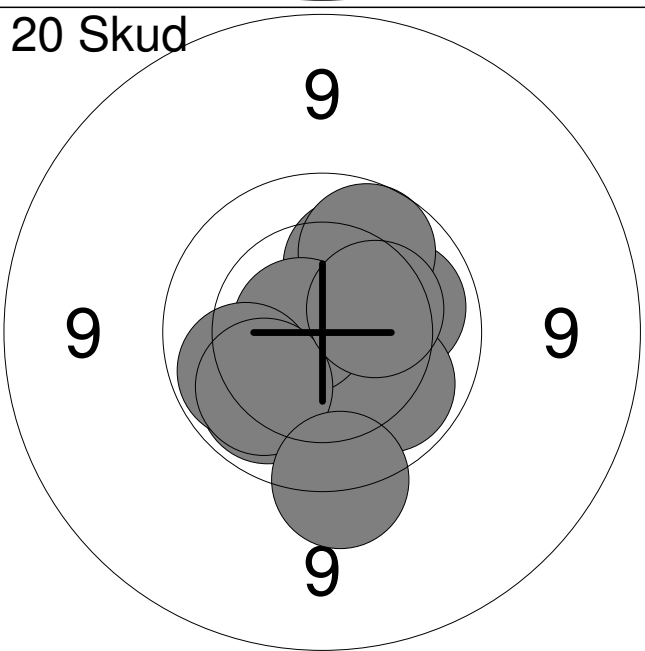


1:	10.1	↘
2:	10.3	↗
3:	10.2	→
4:	10.4	↘
5:	10.1	↗
6:	10.7x	↑
7:	10.8x	↘
8:	9.7	↖
9:	9.3	↗
10:	10.2	↑

Serie **98**

Total **98**

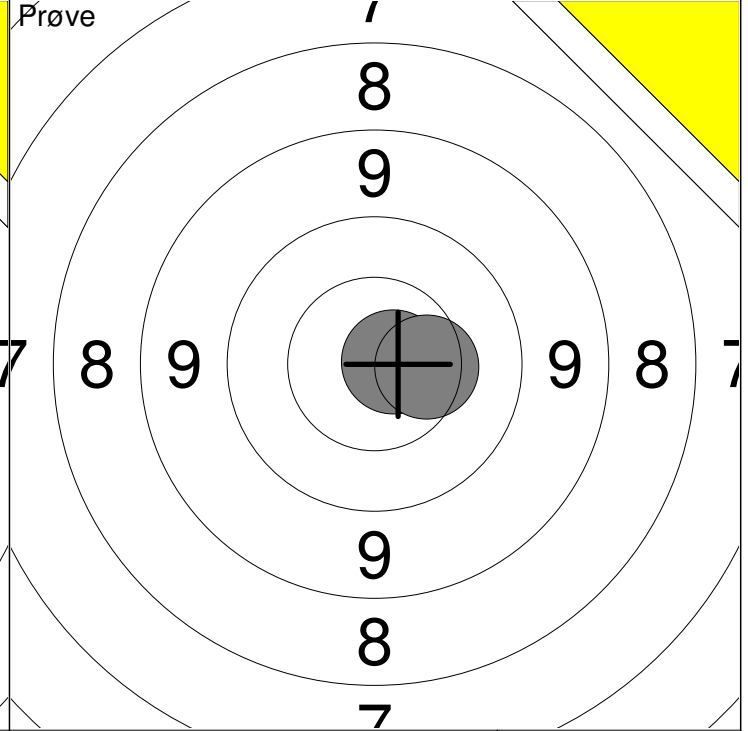
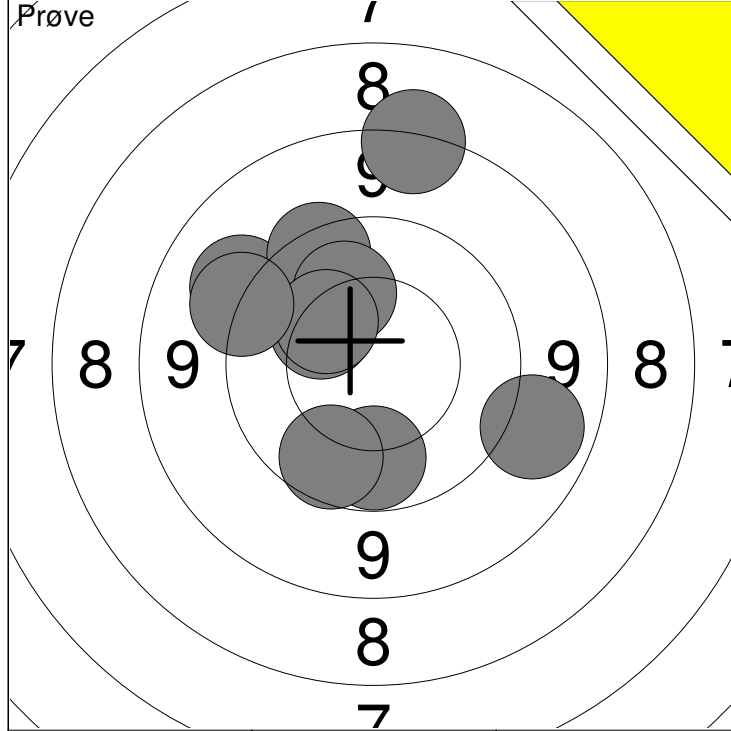
20 Skud



11:	10.1	↗
12:	10.1	↗
13:	10.0	↘
14:	10.0	↘
15:	9.9	↗
16:	10.7x	↖
17:	10.0	↖
18:	10.1	↘
19:	9.6	↘
20:	10.3	↗

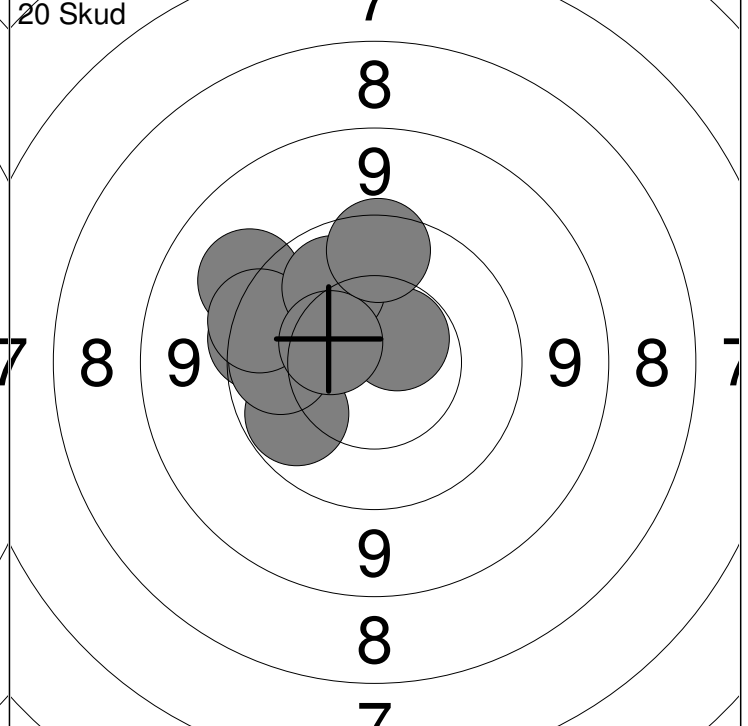
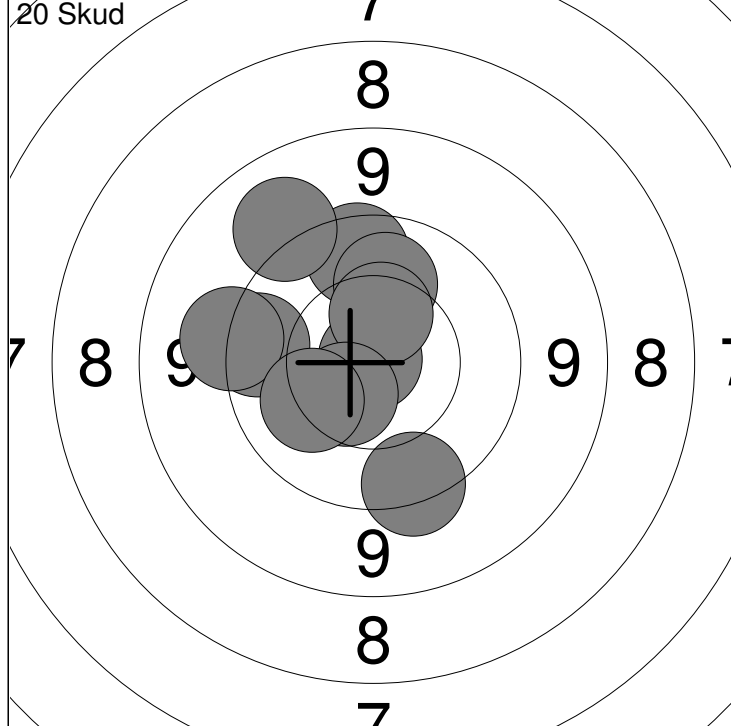
Serie **98**

Total **196**



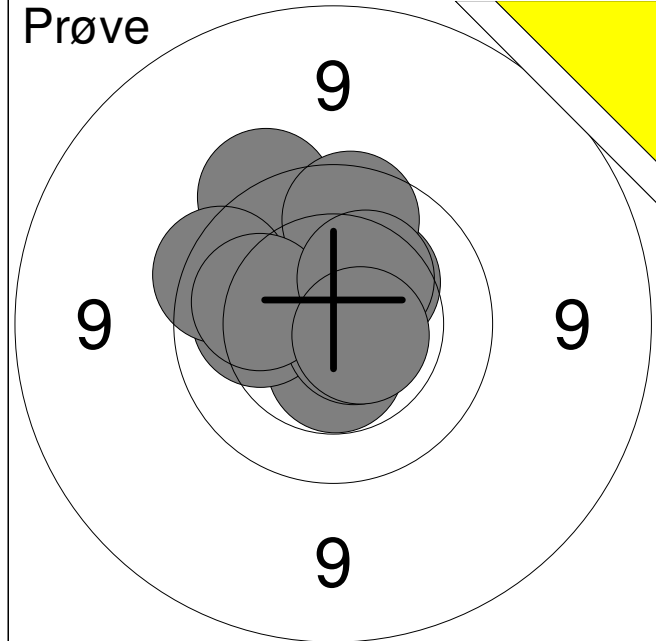
1: 10.0 ↓	6: 10.1 ↗	Serie 93
2: 9.3 ↗	7: 10.3 ↗	
3: 9.9 ↓	8: 9.4 ↖	Total 0
4: 10.3 ↗	9: 8.5 ↗	
5: 9.6 ↗	10: 9.1 ↘	

11: 10.7x →	Serie 20
12: 10.4 →	
	Total 0

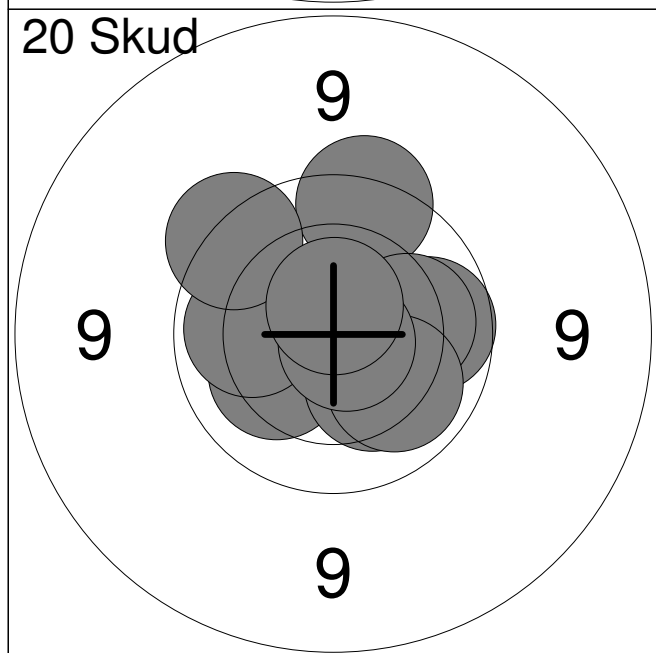


1: 9.8 ↑	6: 10.4 ↑	Serie 95
2: 10.9x ↗	7: 9.4 ←	
3: 10.1 ↑	8: 10.5 ↓	Total 95
4: 9.2 ↗	9: 9.6 ↓	
5: 9.7 ←	10: 10.2 ←	

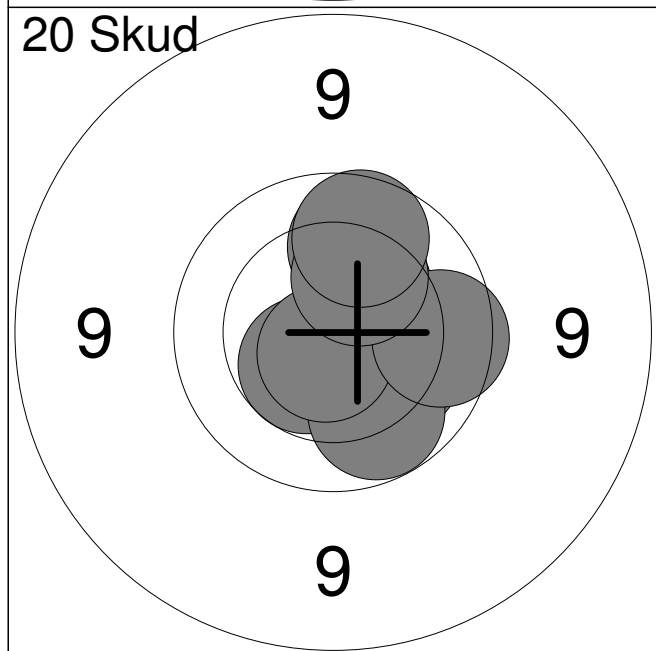
11: 10.0 ↖	16: 10.6x ↗	Serie 96
12: 10.2 ↖	17: 9.6 ←	
13: 9.7 ←	18: 10.1 ↗	Total 191
14: 9.3 ↗	19: 10.4 ↖	
15: 10.0 ←	20: 9.8 ↑	



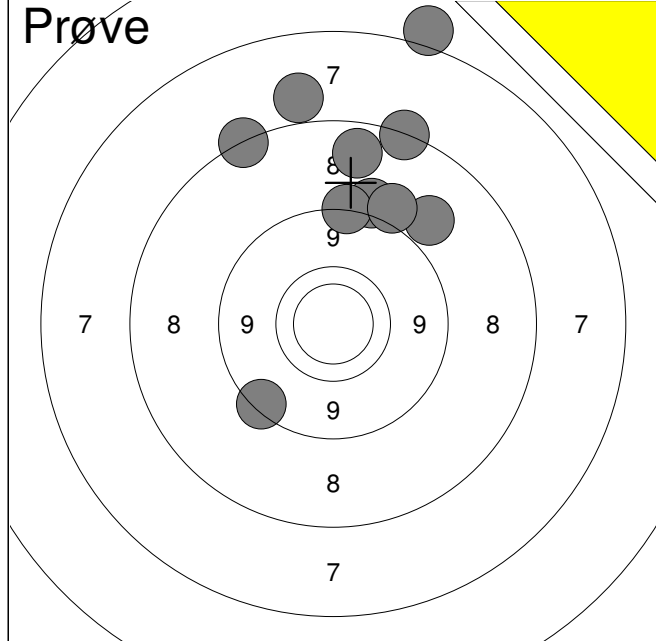
1:	9.6	↗
2:	10.5x	↓
3:	10.1	←
4:	9.8	↖
5:	10.3	↗
6:	9.9	↑
7:	10.7x	↘
8:	10.1	←
9:	10.3	↗
10:	10.6x	↘
Serie		97
Total		0



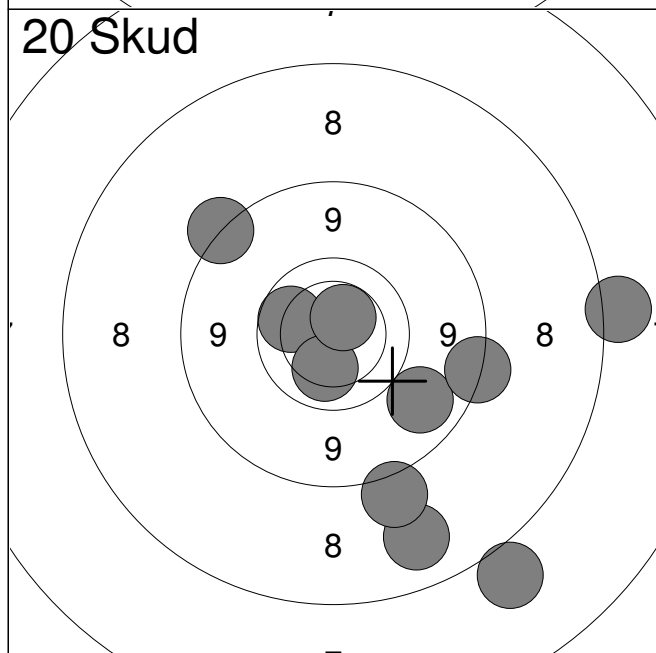
1:	9.9	→
2:	9.7	↑
3:	10.1	→
4:	10.2	←
5:	10.3	↘
6:	10.1	←
7:	9.7	↗
8:	10.1	↘
9:	10.8x	↘
10:	10.6x	↑
Serie		97
Total		97



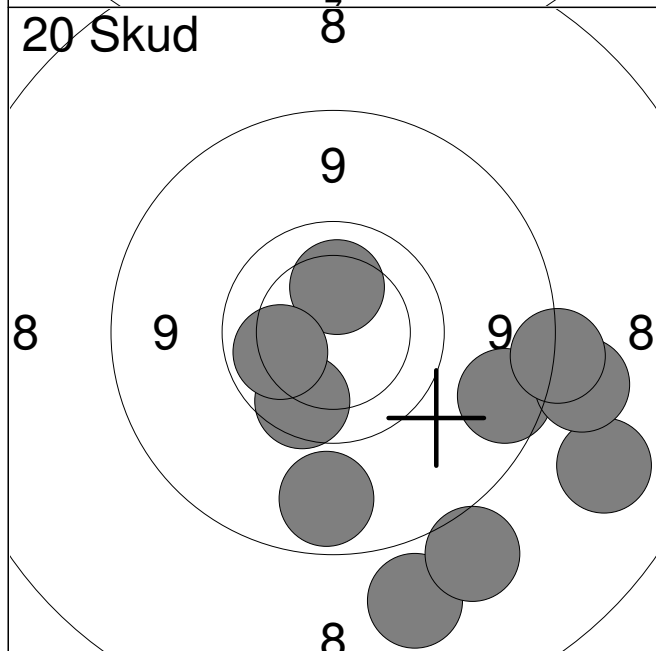
11:	10.4	↗
12:	10.2	↘
13:	10.5	↙
14:	10.0	↑
15:	10.5x	↘
16:	10.0	↘
17:	10.7x	↘
18:	9.8	→
19:	10.3	↗
20:	9.9	↑
Serie		98
Total		195



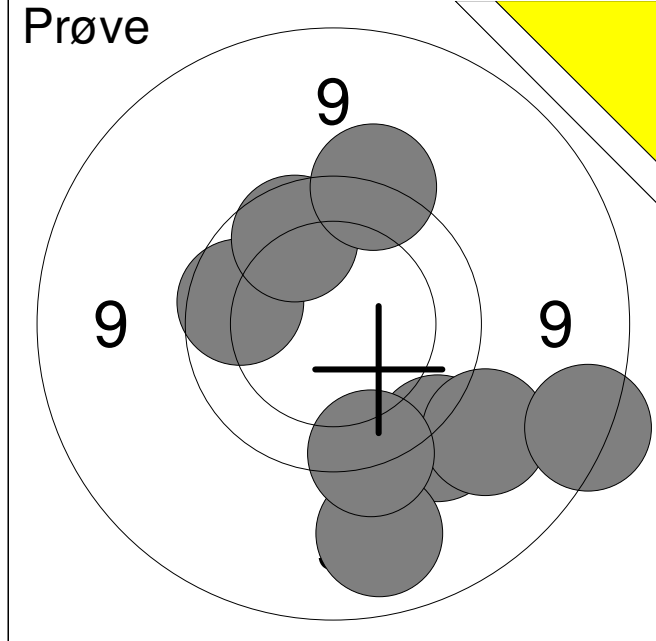
1:	8.8	↙
2:	7.7	↖
3:	7.7	↗
4:	8.4	↘
5:	7.4	↕
6:	8.5	↗
7:	8.7	↕
8:	6.5	↗
9:	8.5	↘
10:	8.0	↕
Serie		75
Total		0



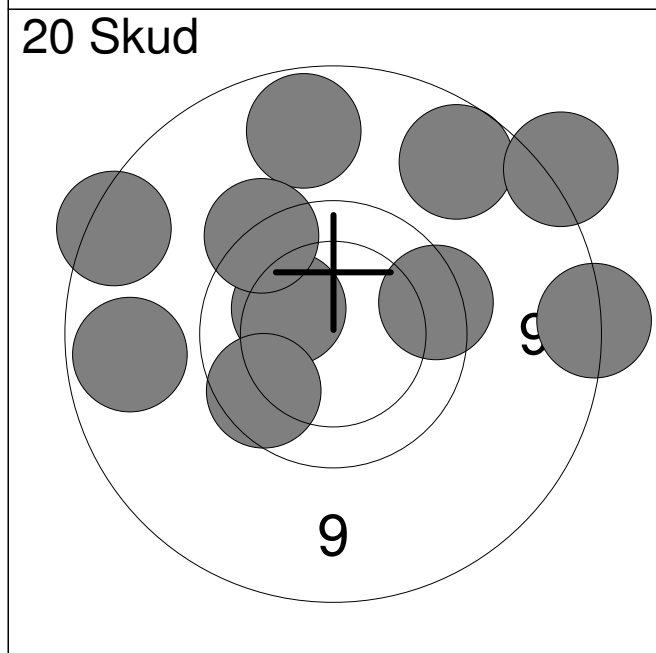
1:	8.7	↗
2:	9.9	↖
3:	7.4	↘
4:	9.1	↘
5:	8.1	↘
6:	10.1	↘
7:	8.7	→
8:	8.5	↘
9:	7.5	→
10:	10.5x	↗
Serie		84
Total		84



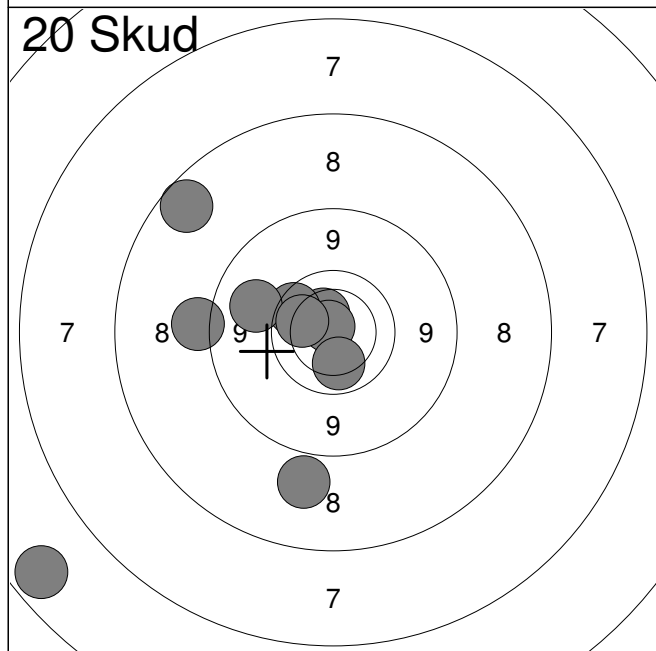
11:	8.2	↘
12:	9.0	↘
13:	8.9	↘
14:	9.8	↘
15:	8.3	↘
16:	8.5	→
17:	8.4	↘
18:	10.2	↕
19:	10.1	↖
20:	8.7	→
Serie		86
Total		170



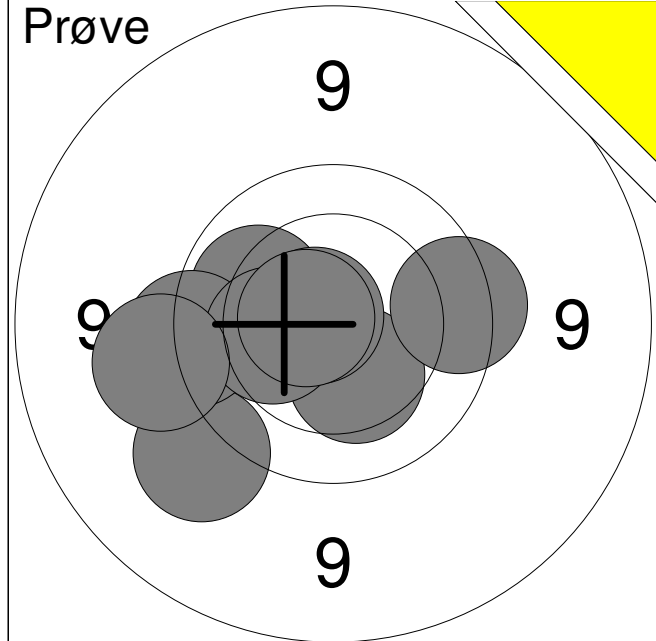
1:	9.9	←
2:	9.5	↘
3:	9.1	↘
4:	9.3	↘
5:	9.6	↘
6:	8.8	→
7:	9.9	↑
8:	9.6	↑
Serie		71
Total		0



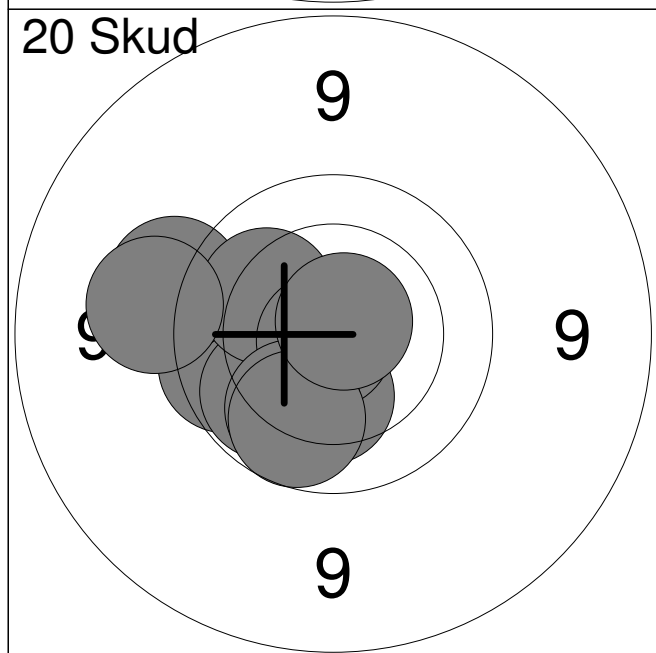
1:	8.9	↗
2:	9.0	↑
3:	8.6	↗
4:	9.0	←
5:	9.7	→
6:	10.3	↗
7:	8.8	↗
8:	8.7	→
9:	9.6	↗
10:	9.9	↙
Serie		87
Total		87



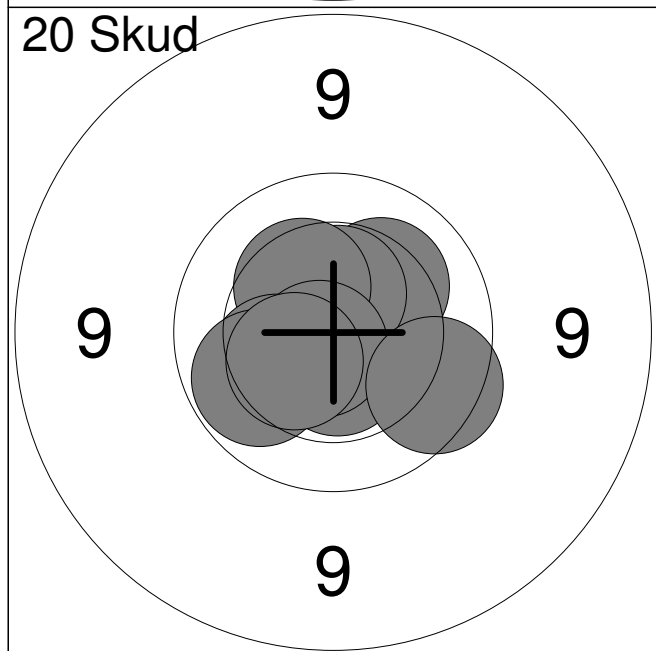
11:	10.4	↗
12:	10.7x	↗
13:	9.8	↗
14:	10.0	↘
15:	7.9	↗
16:	8.4	↘
17:	6.0	↙
18:	9.2	↖
19:	10.0	↖
20:	8.5	←
Serie		87
Total		174



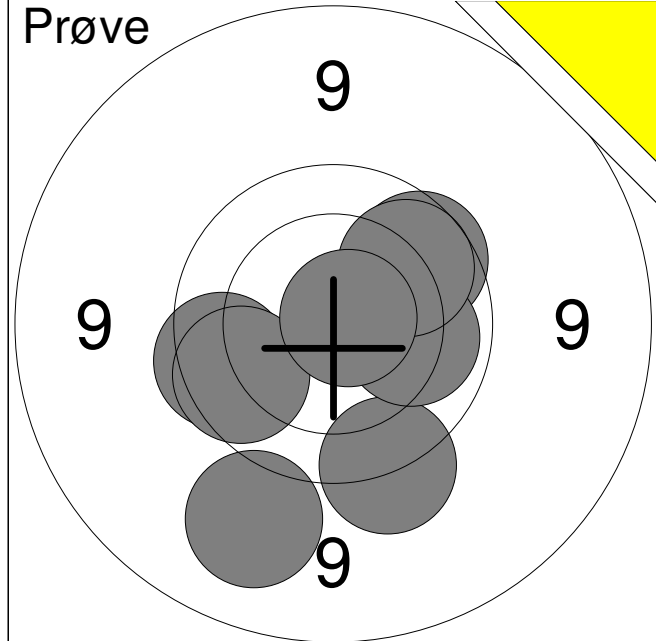
1:	9.4	↙
2:	10.1	↖
3:	9.6	←
4:	10.3	↓
5:	10.3	←
6:	9.4	←
7:	9.7	→
8:	10.7x	↖
9:	10.6x	←
Serie		86
Total		0



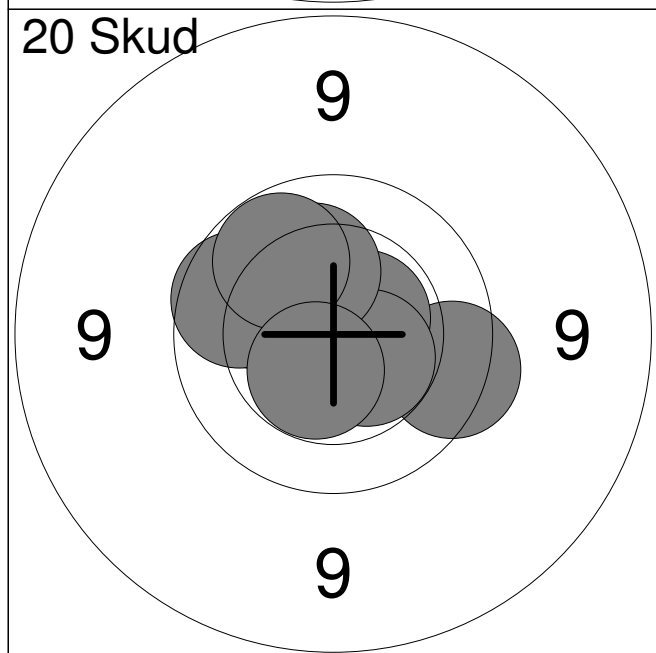
1:	10.3	↓
2:	9.8	←
3:	9.5	↖
4:	10.0	↙
5:	10.1	↖
6:	10.8x	↙
7:	9.4	←
8:	10.0	↓
9:	9.9	↓
10:	10.8x	↗
Serie		96
Total		96



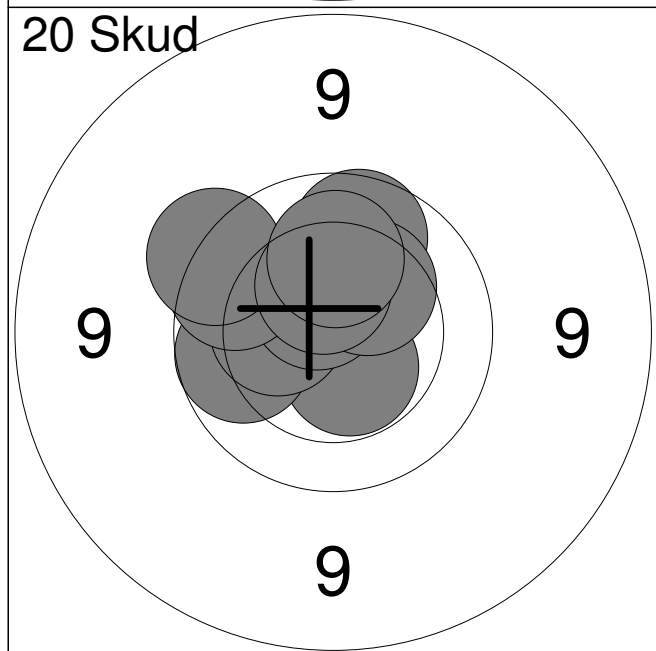
11:	10.6x	↗
12:	10.2	↗
13:	10.6x	↓
14:	10.5x	↑
15:	10.3	↖
16:	10.2	←
17:	10.0	←
18:	10.7x	↙
19:	10.4	↖
20:	9.8	↘
Serie		99
Total		195



1:	9.2	↓
2:	9.8	←
3:	9.9	←
4:	9.8	↗
5:	9.6	↓
6:	10.1	→
7:	9.9	↗
8:	10.8x	→
Serie		74
Total		0

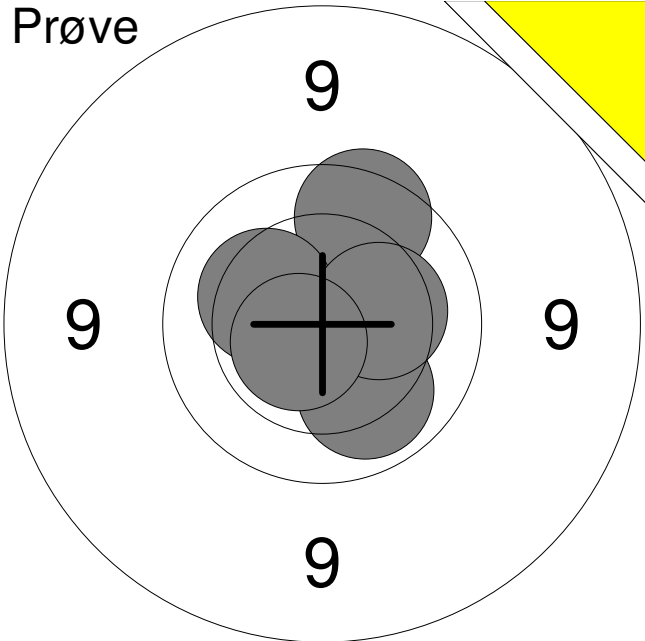


1:	10.7x	→
2:	9.7	→
3:	10.6x	↗
4:	10.7x	←
5:	10.5x	↓
6:	10.1	↖
7:	10.2	↑
8:	9.9	←
9:	10.0	↗
10:	10.5x	↓
Serie		98
Total		98



11:	10.5x	↓
12:	9.9	↑
13:	9.9	←
14:	10.3	←
15:	10.6x	↗
16:	10.3	↗
17:	9.8	←
18:	9.6	↖
19:	10.4	↑
20:	10.1	↑
Serie		96
Total		194

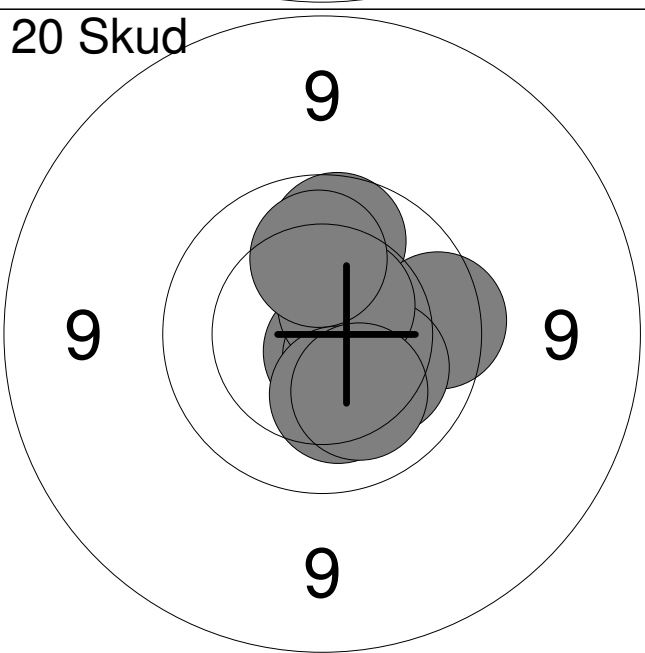
Prøve



1:	10.1	↘
2:	9.8	↗
3:	10.3	↖
4:	10.3	→
5:	10.6x	↙

Serie	49
Total	0

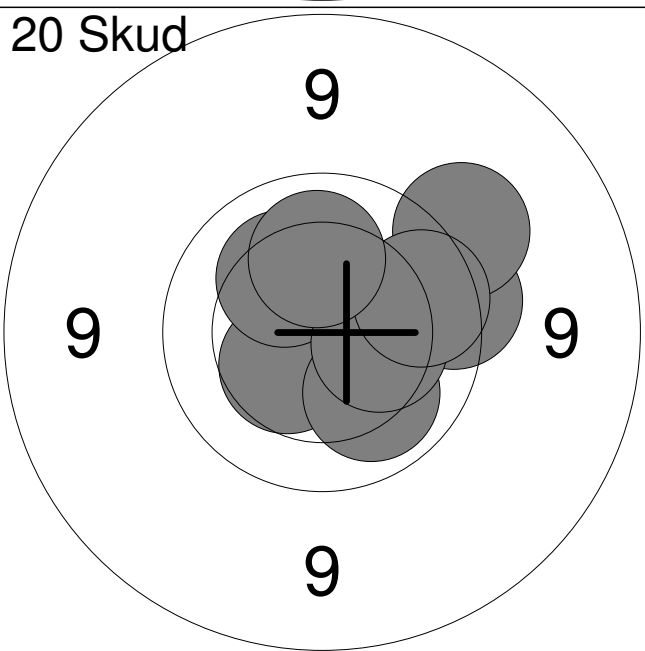
20 Skud



1:	10.6x	→
2:	9.9	↗
3:	10.7x	↘
4:	9.8	→
5:	10.5x	↘
6:	10.2	↘
7:	10.5x	↗
8:	10.3	↘
9:	10.1	↗
10:	10.2	↘

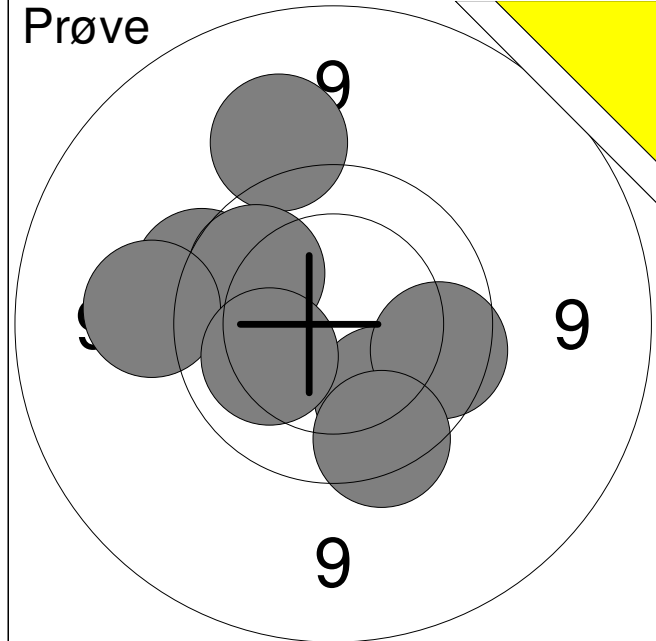
Serie	98
Total	98

20 Skud

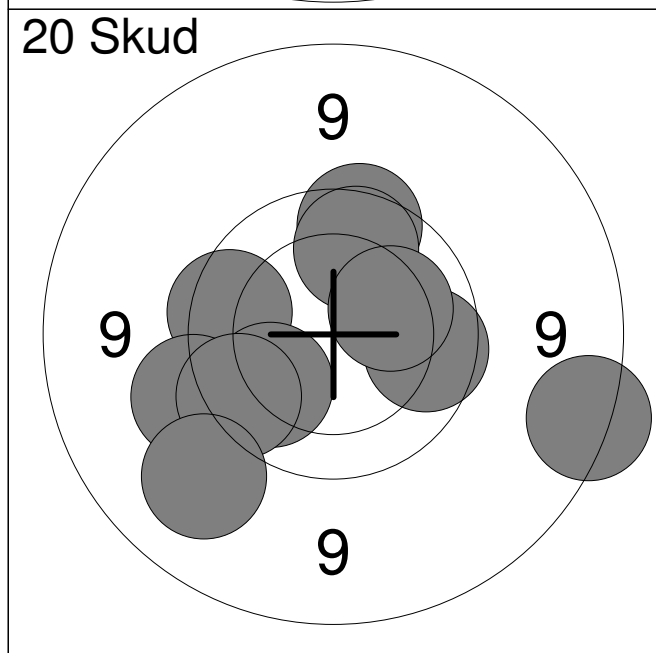


11:	9.7	→
12:	9.4	↗
13:	10.5x	↘
14:	10.6x	→
15:	10.4	↘
16:	10.1	↘
17:	10.2	↗
18:	10.3	→
19:	9.9	↗
20:	10.1	↗

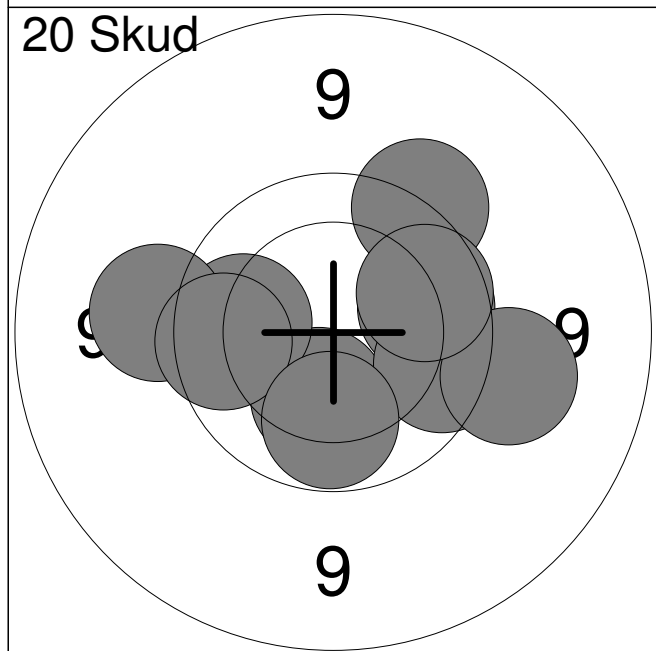
Serie	97
Total	195



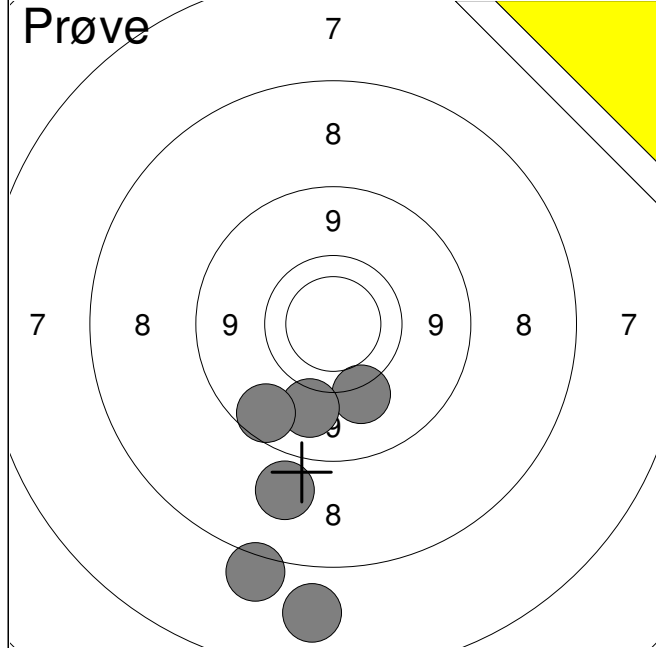
1:	9.3	↗
2:	10.0	↘
3:	9.6	↖
4:	9.8	→
5:	9.7	↙
6:	9.9	↗
7:	9.4	←
8:	10.2	↙
Serie		74
Total		0



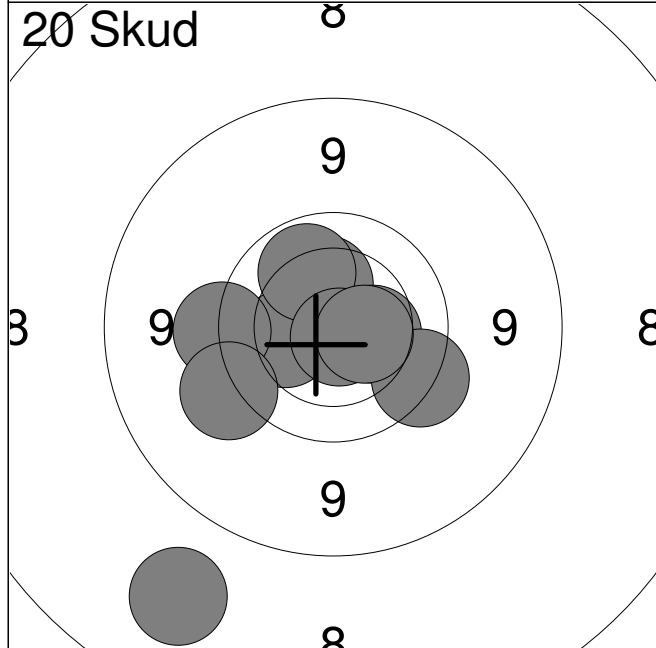
1:	9.8	←
2:	8.8	→
3:	9.8	↑
4:	9.9	↑
5:	9.9	→
6:	10.2	↗
7:	9.5	←
8:	10.0	↙
9:	9.7	↙
10:	9.2	↙
Serie		91
Total		91



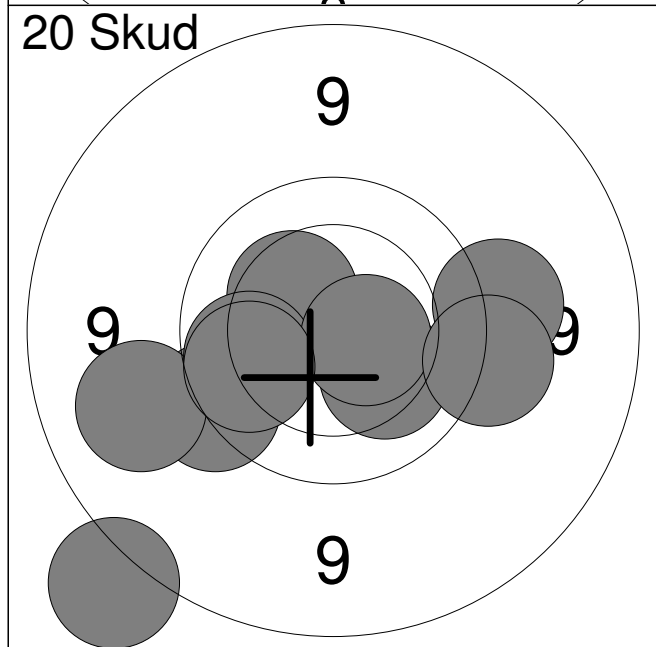
11:	9.9	→
12:	10.2	↓
13:	9.6	↗
14:	9.8	→
15:	10.0	←
16:	9.4	→
17:	9.9	↗
18:	9.4	←
19:	9.8	←
20:	10.0	↓
Serie		93
Total		184



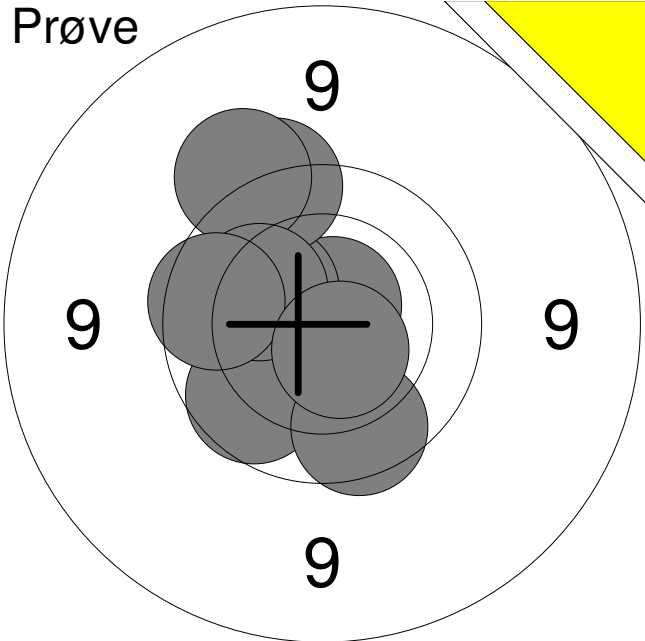
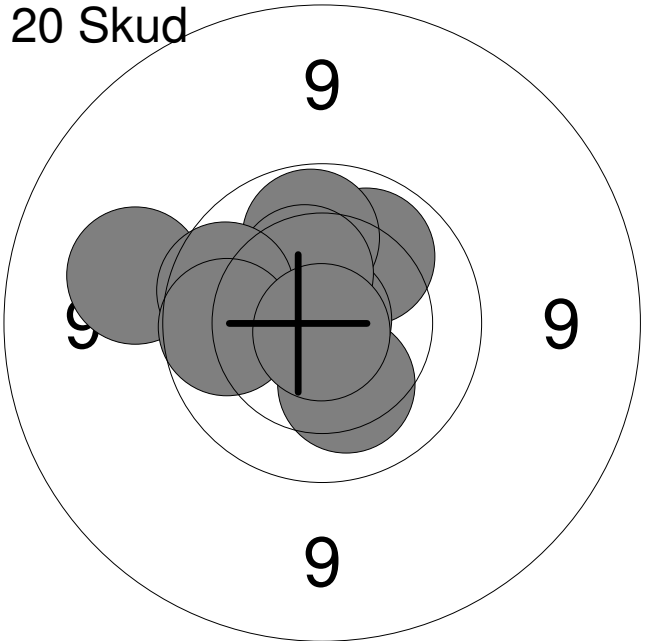
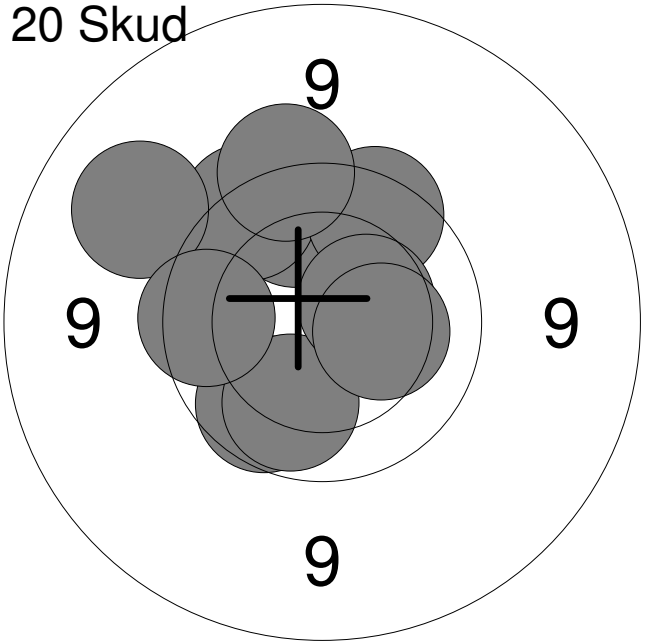
1:	7.5	↓
2:	7.2	↓
3:	8.3	↓
4:	9.4	↓
5:	9.3	↓
6:	8.9	↓
Serie		48
Total		0



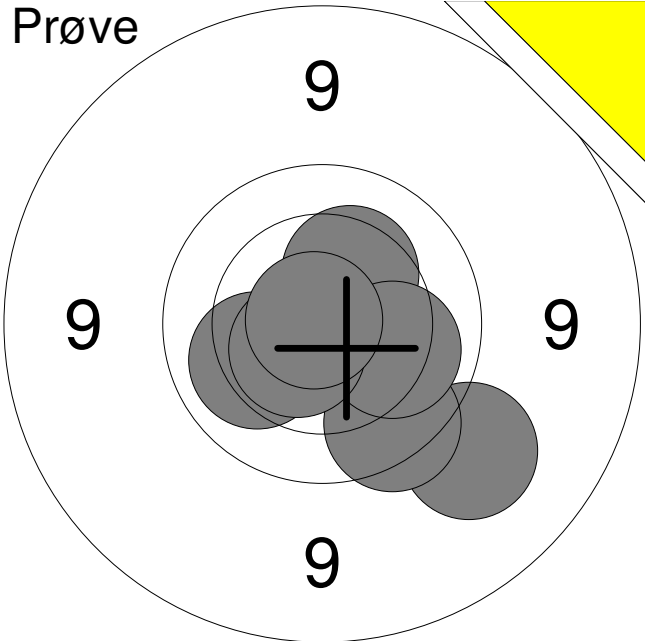
1:	10.3	↑
2:	10.2	←
3:	10.0	↗
4:	10.3	→
5:	9.5	←
6:	10.8x	↓
7:	9.6	↓
8:	8.2	↓
9:	10.5	→
10:	9.5	↙
Serie		95
Total		95



11:	8.6	↙
12:	9.6	↙
13:	9.2	↙
14:	10.2	↘
15:	9.4	→
16:	10.3	↗
17:	9.9	←
18:	10.6x	→
19:	9.5	→
20:	9.9	↙
Serie		92
Total		187

Hold 24	Skive 9	Lærke Iversen																																
Aalborg		Frederikshavn Skyttekreds		MJ2																														
28.10.2017		15 meter riffelstævne 2017		Aalborg Skyttekreds																														
Prøve		<table border="0"> <tr><td>1:</td><td>10.7x</td><td>↗</td></tr> <tr><td>2:</td><td>10.3</td><td>↗</td></tr> <tr><td>3:</td><td>9.6</td><td>↗</td></tr> <tr><td>4:</td><td>9.9</td><td>↖</td></tr> <tr><td>5:</td><td>9.8</td><td>↘</td></tr> <tr><td>6:</td><td>9.5</td><td>↗</td></tr> <tr><td>7:</td><td>10.2</td><td>↗</td></tr> <tr><td>8:</td><td>9.8</td><td>↖</td></tr> <tr><td>9:</td><td>10.6x</td><td>↘</td></tr> </table>			1:	10.7x	↗	2:	10.3	↗	3:	9.6	↗	4:	9.9	↖	5:	9.8	↘	6:	9.5	↗	7:	10.2	↗	8:	9.8	↖	9:	10.6x	↘			
1:	10.7x	↗																																
2:	10.3	↗																																
3:	9.6	↗																																
4:	9.9	↖																																
5:	9.8	↘																																
6:	9.5	↗																																
7:	10.2	↗																																
8:	9.8	↖																																
9:	10.6x	↘																																
		Serie 85																																
		Total 0																																
20 Skud		<table border="0"> <tr><td>1:</td><td>9.3</td><td>↖</td></tr> <tr><td>2:</td><td>10.1</td><td>↗</td></tr> <tr><td>3:</td><td>10.0</td><td>↑</td></tr> <tr><td>4:</td><td>10.4</td><td>↗</td></tr> <tr><td>5:</td><td>10.2</td><td>↘</td></tr> <tr><td>6:</td><td>10.9x</td><td>↑</td></tr> <tr><td>7:</td><td>10.4</td><td>↗</td></tr> <tr><td>8:</td><td>9.9</td><td>↖</td></tr> <tr><td>9:</td><td>9.9</td><td>↖</td></tr> <tr><td>10:</td><td>10.9x</td><td>↘</td></tr> </table>			1:	9.3	↖	2:	10.1	↗	3:	10.0	↑	4:	10.4	↗	5:	10.2	↘	6:	10.9x	↑	7:	10.4	↗	8:	9.9	↖	9:	9.9	↖	10:	10.9x	↘
1:	9.3	↖																																
2:	10.1	↗																																
3:	10.0	↑																																
4:	10.4	↗																																
5:	10.2	↘																																
6:	10.9x	↑																																
7:	10.4	↗																																
8:	9.9	↖																																
9:	9.9	↖																																
10:	10.9x	↘																																
		Serie 97																																
		Total 97																																
20 Skud		<table border="0"> <tr><td>11:</td><td>9.8</td><td>↑</td></tr> <tr><td>12:</td><td>9.9</td><td>↘</td></tr> <tr><td>13:</td><td>9.7</td><td>↗</td></tr> <tr><td>14:</td><td>10.0</td><td>↘</td></tr> <tr><td>15:</td><td>9.2</td><td>↗</td></tr> <tr><td>16:</td><td>9.8</td><td>↗</td></tr> <tr><td>17:</td><td>10.4</td><td>↗</td></tr> <tr><td>18:</td><td>9.5</td><td>↑</td></tr> <tr><td>19:</td><td>9.8</td><td>↖</td></tr> <tr><td>20:</td><td>10.3</td><td>→</td></tr> </table>			11:	9.8	↑	12:	9.9	↘	13:	9.7	↗	14:	10.0	↘	15:	9.2	↗	16:	9.8	↗	17:	10.4	↗	18:	9.5	↑	19:	9.8	↖	20:	10.3	→
11:	9.8	↑																																
12:	9.9	↘																																
13:	9.7	↗																																
14:	10.0	↘																																
15:	9.2	↗																																
16:	9.8	↗																																
17:	10.4	↗																																
18:	9.5	↑																																
19:	9.8	↖																																
20:	10.3	→																																
		Serie 93																																
		Total 190																																

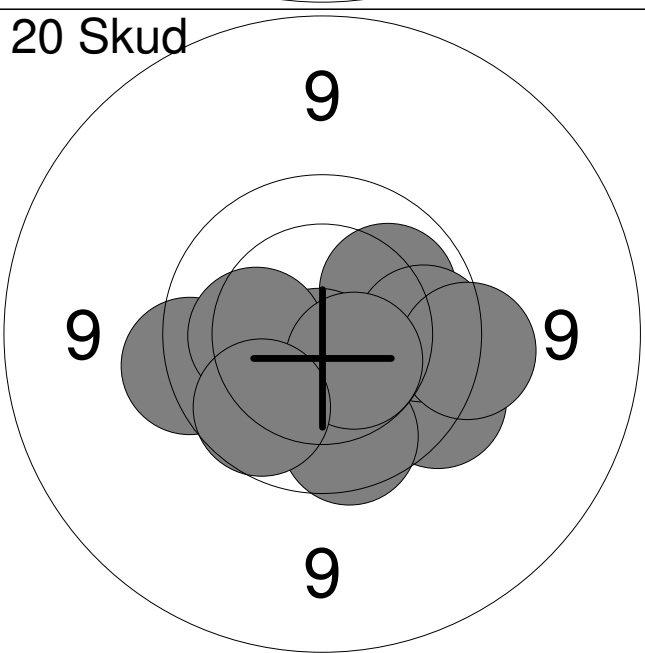
Prøve



1:	10.3	↗
2:	10.1	↖
3:	9.3	↘
4:	9.8	↘
5:	10.1	↗
6:	10.6x	↖
7:	10.9x	↖

Serie	68
Total	0

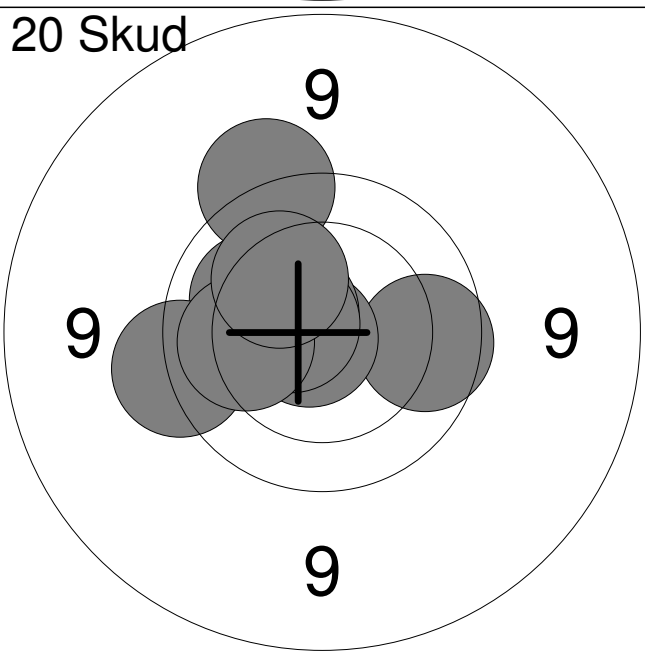
20 Skud



1:	9.7	↖
2:	9.7	↘
3:	10.1	↗
4:	9.9	→
5:	9.6	→
6:	10.7x	↘
7:	10.2	↖
8:	9.9	↘
9:	10.5x	↘
10:	9.9	↘

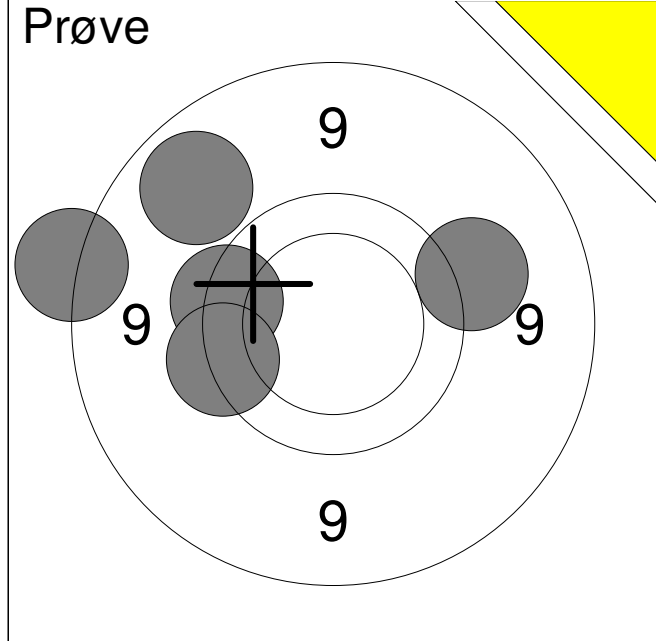
Serie	94
Total	94

20 Skud

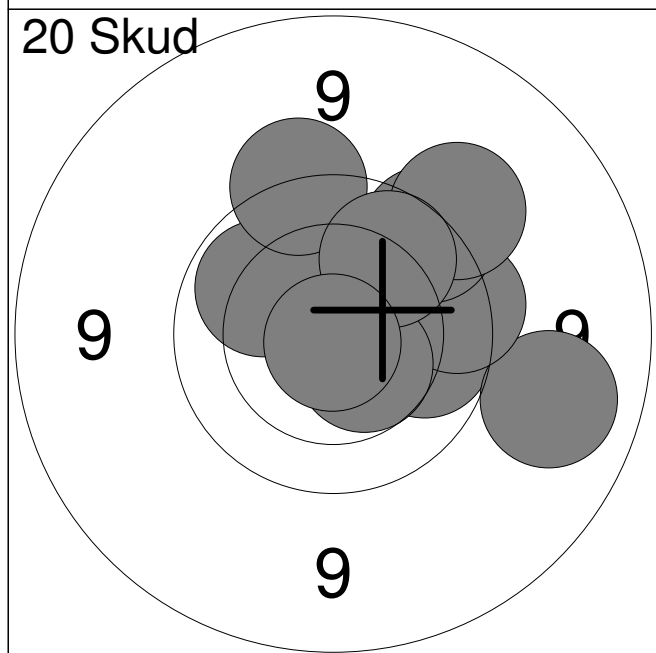


11:	10.5	↗
12:	10.2	↗
13:	9.9	→
14:	9.6	↖
15:	10.8x	↖
16:	9.5	↗
17:	10.5x	↗
18:	10.6x	↖
19:	10.1	↖
20:	10.2	↗

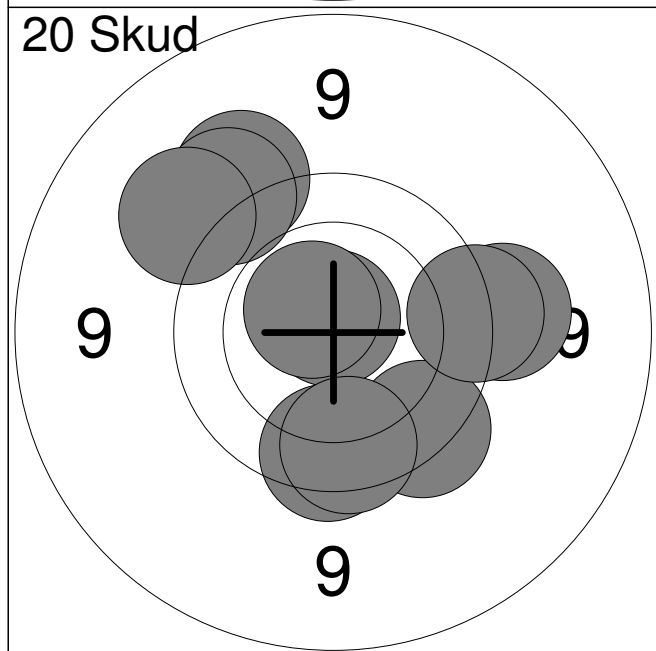
Serie	97
Total	191



1:	8.6	←
2:	9.7	←
3:	9.0	↗
4:	9.6	←
5:	9.4	→
Serie		44
Total		0



1:	9.9	→
2:	10.0	↗
3:	9.1	→
4:	9.7	→
5:	9.7	↗
6:	9.6	↑
7:	9.4	↗
8:	10.5	↘
9:	9.9	↗
10:	10.9x	↓
Serie		93
Total		93

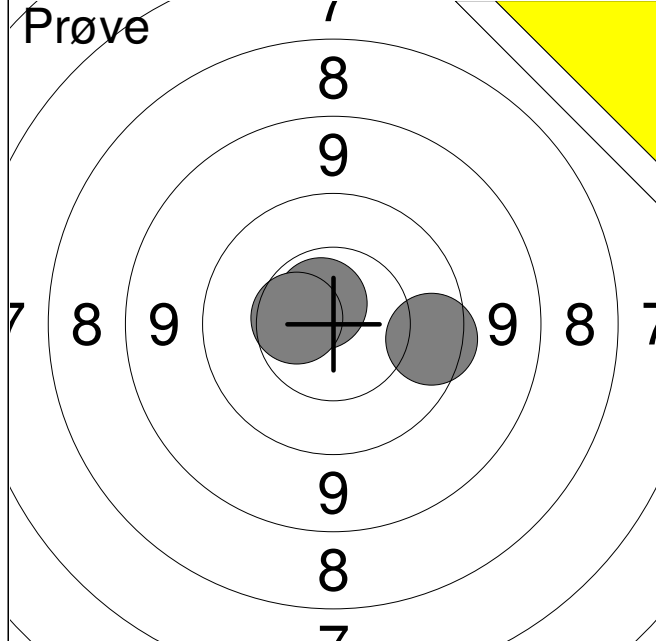


11:	9.4	→
12:	9.8	↓
13:	10.8x	↑
14:	9.4	↗
15:	9.4	↗
16:	9.3	↗
17:	9.7	↘
18:	9.8	↓
19:	10.6x	↗
20:	9.6	→
Serie		92
Total		185

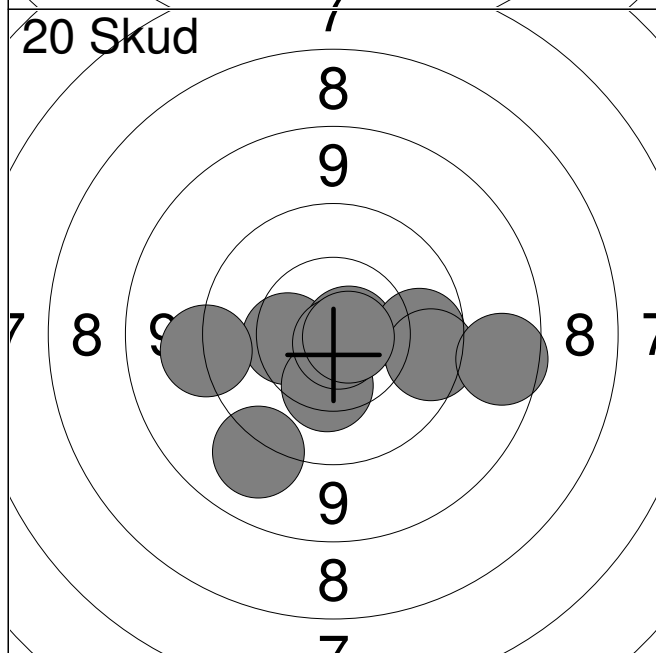
<p>Prøve</p>	<table style="width:100%; border-collapse: collapse;"> <tr><td style="width:5%;">1:</td><td style="width:15%;">9.9</td><td style="width:10%; text-align: right;">↘</td></tr> <tr><td>2:</td><td>10.1</td><td style="text-align: right;">↘</td></tr> <tr><td>3:</td><td>10.7x</td><td style="text-align: right;">↘</td></tr> <tr><td>4:</td><td>10.5</td><td style="text-align: right;">←</td></tr> <tr><td>5:</td><td>10.3</td><td style="text-align: right;">←</td></tr> <tr><td>6:</td><td>10.9x</td><td style="text-align: right;">→</td></tr> <tr><td>7:</td><td>10.0</td><td style="text-align: right;">↘</td></tr> <tr><td>8:</td><td>10.0</td><td style="text-align: right;">↗</td></tr> <tr><td>9:</td><td>10.7x</td><td style="text-align: right;">↘</td></tr> <tr><td>10:</td><td>10.2</td><td style="text-align: right;">↘</td></tr> <tr style="border-top: 1px solid black;"><td colspan="2">Serie</td><td style="text-align: right;">99</td></tr> <tr><td colspan="2">Total</td><td style="text-align: right;">0</td></tr> </table>	1:	9.9	↘	2:	10.1	↘	3:	10.7x	↘	4:	10.5	←	5:	10.3	←	6:	10.9x	→	7:	10.0	↘	8:	10.0	↗	9:	10.7x	↘	10:	10.2	↘	Serie		99	Total		0
1:	9.9	↘																																			
2:	10.1	↘																																			
3:	10.7x	↘																																			
4:	10.5	←																																			
5:	10.3	←																																			
6:	10.9x	→																																			
7:	10.0	↘																																			
8:	10.0	↗																																			
9:	10.7x	↘																																			
10:	10.2	↘																																			
Serie		99																																			
Total		0																																			

<p>20 Skud</p>	<table style="width:100%; border-collapse: collapse;"> <tr><td style="width:5%;">1:</td><td style="width:15%;">10.3</td><td style="width:10%; text-align: right;">↘</td></tr> <tr><td>2:</td><td>10.4</td><td style="text-align: right;">↗</td></tr> <tr><td>3:</td><td>9.9</td><td style="text-align: right;">←</td></tr> <tr><td>4:</td><td>10.3</td><td style="text-align: right;">↘</td></tr> <tr><td>5:</td><td>10.9x</td><td style="text-align: right;">←</td></tr> <tr><td>6:</td><td>10.2</td><td style="text-align: right;">↗</td></tr> <tr><td>7:</td><td>9.7</td><td style="text-align: right;">↘</td></tr> <tr><td>8:</td><td>10.2</td><td style="text-align: right;">←</td></tr> <tr><td>9:</td><td>10.4</td><td style="text-align: right;">↗</td></tr> <tr><td>10:</td><td>10.2</td><td style="text-align: right;">↗</td></tr> <tr style="border-top: 1px solid black;"><td colspan="2">Serie</td><td style="text-align: right;">98</td></tr> <tr><td colspan="2">Total</td><td style="text-align: right;">98</td></tr> </table>	1:	10.3	↘	2:	10.4	↗	3:	9.9	←	4:	10.3	↘	5:	10.9x	←	6:	10.2	↗	7:	9.7	↘	8:	10.2	←	9:	10.4	↗	10:	10.2	↗	Serie		98	Total		98
1:	10.3	↘																																			
2:	10.4	↗																																			
3:	9.9	←																																			
4:	10.3	↘																																			
5:	10.9x	←																																			
6:	10.2	↗																																			
7:	9.7	↘																																			
8:	10.2	←																																			
9:	10.4	↗																																			
10:	10.2	↗																																			
Serie		98																																			
Total		98																																			

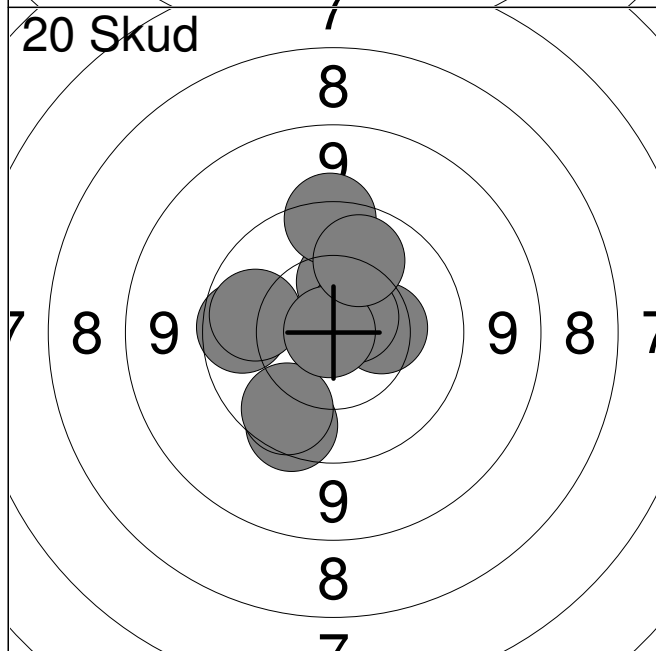
<p>20 Skud</p>	<table style="width:100%; border-collapse: collapse;"> <tr><td style="width:5%;">11:</td><td style="width:15%;">10.1</td><td style="width:10%; text-align: right;">←</td></tr> <tr><td>12:</td><td>10.3</td><td style="text-align: right;">↗</td></tr> <tr><td>13:</td><td>10.4</td><td style="text-align: right;">←</td></tr> <tr><td>14:</td><td>10.1</td><td style="text-align: right;">↘</td></tr> <tr><td>15:</td><td>9.9</td><td style="text-align: right;">↘</td></tr> <tr><td>16:</td><td>10.5</td><td style="text-align: right;">←</td></tr> <tr><td>17:</td><td>10.3</td><td style="text-align: right;">↘</td></tr> <tr><td>18:</td><td>10.4</td><td style="text-align: right;">↘</td></tr> <tr><td>19:</td><td>10.1</td><td style="text-align: right;">↘</td></tr> <tr><td>20:</td><td>10.1</td><td style="text-align: right;">↗</td></tr> <tr style="border-top: 1px solid black;"><td colspan="2">Serie</td><td style="text-align: right;">99</td></tr> <tr><td colspan="2">Total</td><td style="text-align: right;">197</td></tr> </table>	11:	10.1	←	12:	10.3	↗	13:	10.4	←	14:	10.1	↘	15:	9.9	↘	16:	10.5	←	17:	10.3	↘	18:	10.4	↘	19:	10.1	↘	20:	10.1	↗	Serie		99	Total		197
11:	10.1	←																																			
12:	10.3	↗																																			
13:	10.4	←																																			
14:	10.1	↘																																			
15:	9.9	↘																																			
16:	10.5	←																																			
17:	10.3	↘																																			
18:	10.4	↘																																			
19:	10.1	↘																																			
20:	10.1	↗																																			
Serie		99																																			
Total		197																																			



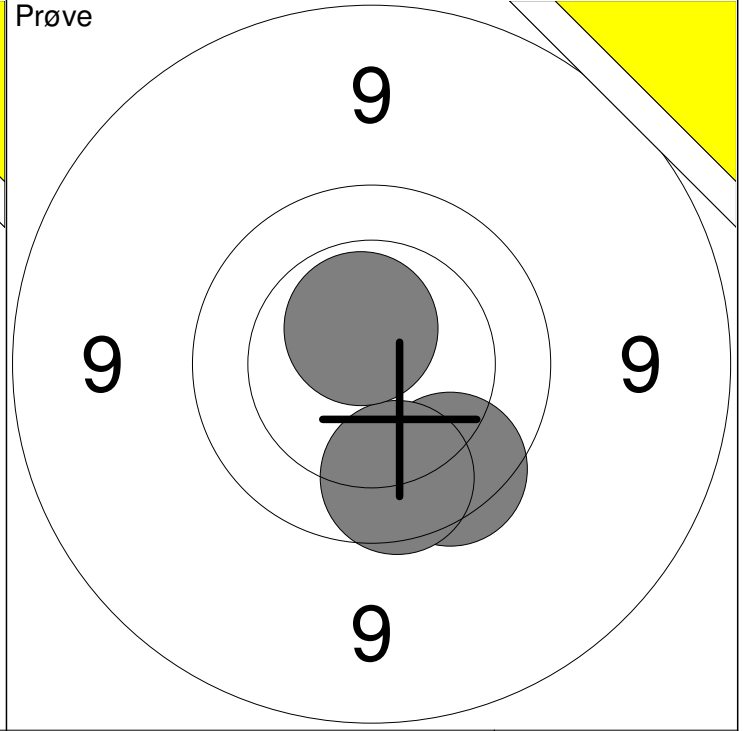
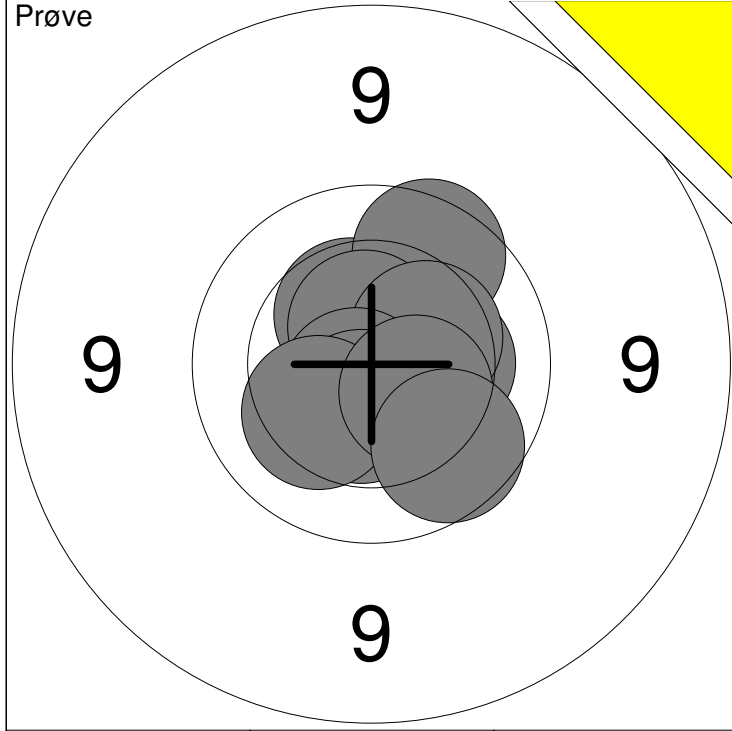
1:	9.8	→
2:	10.7x	↗
3:	10.5	←
Serie		29
Total		0



1:	10.4	←
2:	10.8x	→
3:	9.9	→
4:	9.4	←
5:	9.8	→
6:	10.3	↓
7:	10.8x	↘
8:	8.8	→
9:	9.2	↙
10:	10.8x	→
Serie		94
Total		94

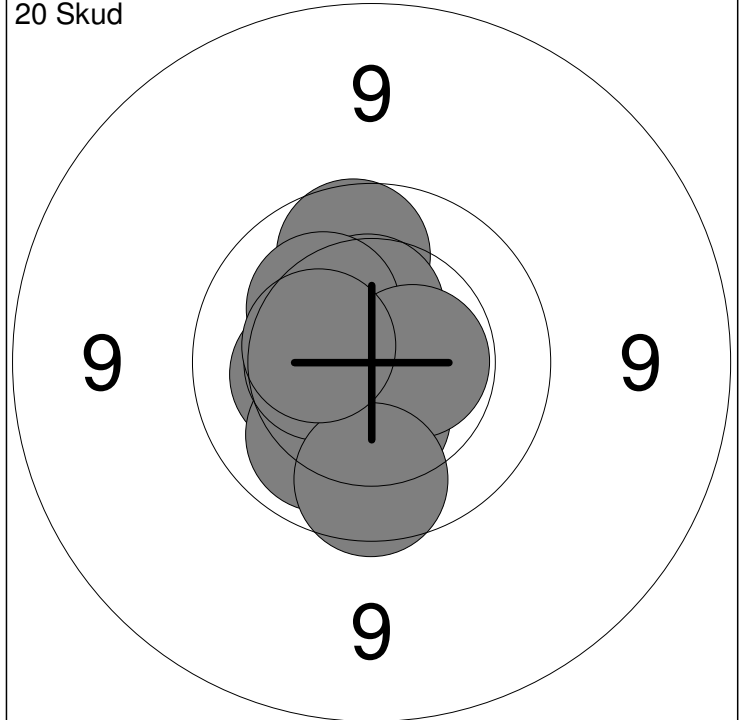
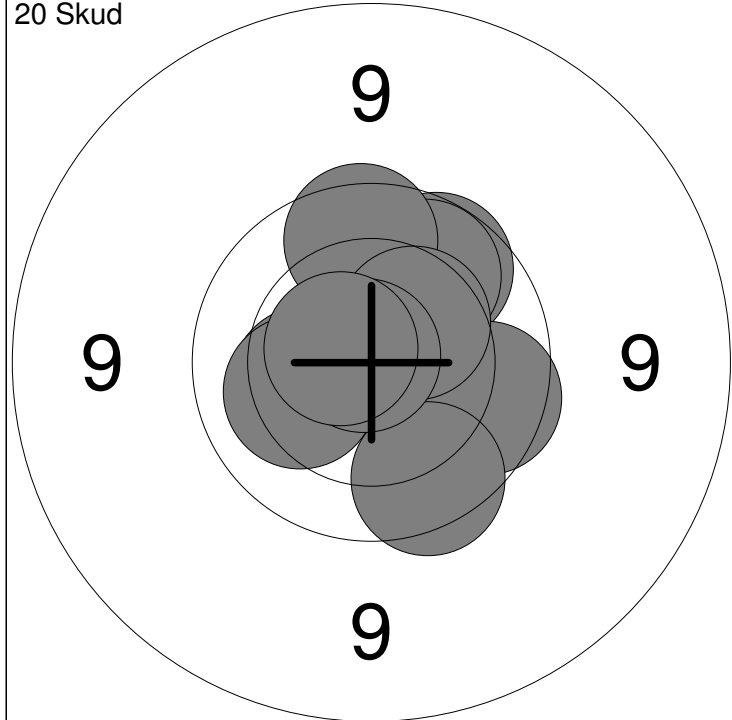


11:	10.3	↑
12:	9.7	↙
13:	9.9	←
14:	10.4	→
15:	10.7x	↗
16:	10.0	←
17:	9.9	↙
18:	9.6	↑
19:	10.9x	←
20:	10.0	↑
Serie		96
Total		190



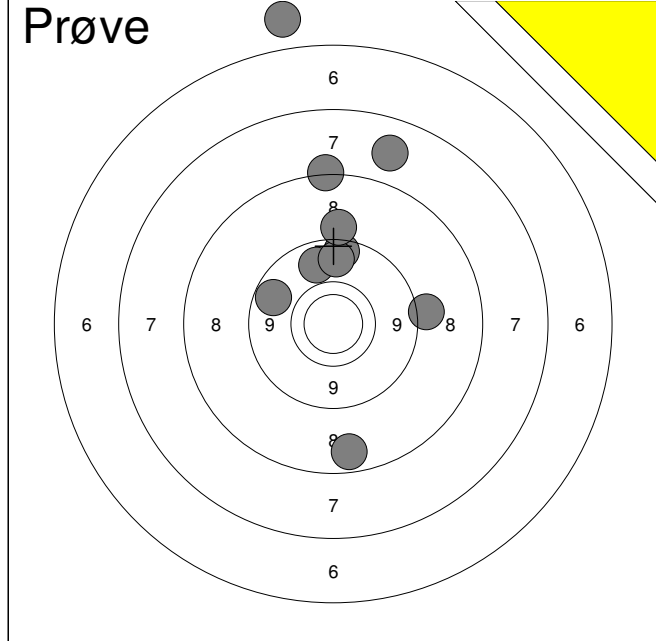
1: 10.4 ↖	6: 10.7x ↘	Serie	98
2: 10.3 →	7: 10.5x ↓		
3: 9.8 ↗	8: 10.2 ↙	Total	0
4: 10.6x ↑	9: 10.4 ↘		
5: 10.4 →	10: 9.9 ↘		

11: 9.8 ↘	Serie	28
12: 9.9 ↓		
13: 10.6x ↗	Total	0

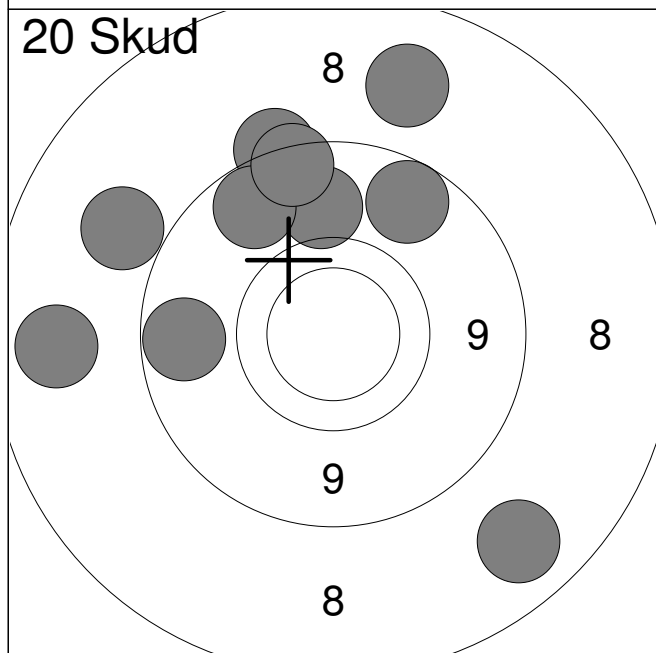


1: 9.9 ↗	6: 10.3 ←	Serie	96
2: 10.0 ↗	7: 10.4 ↗		
3: 9.8 ↑	8: 10.2 ←	Total	96
4: 9.9 →	9: 10.9x ↖		
5: 9.8 ↘	10: 10.6x ←		

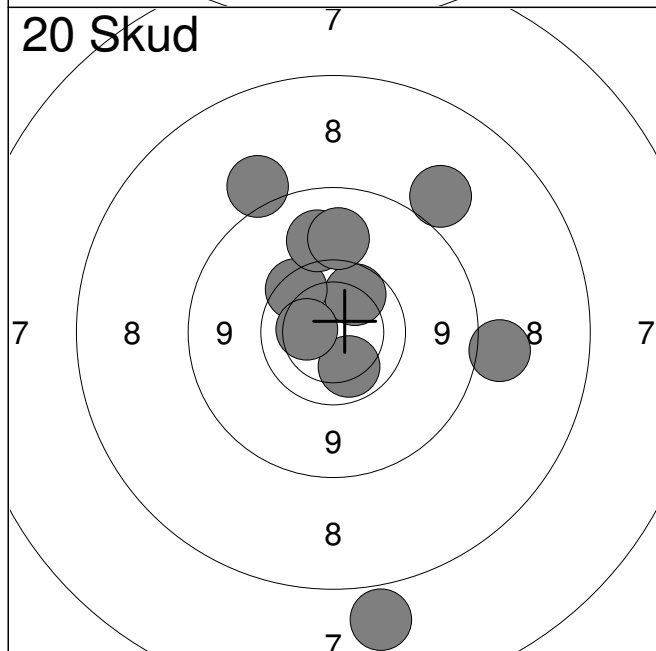
11: 10.3 ←	16: 10.4 ↑	Serie	98
12: 10.4 ↓	17: 10.2 ↖		
13: 9.9 ↗	18: 10.6x →	Total	194
14: 10.1 ↙	19: 9.9 ↓		
15: 10.5 ←	20: 10.4 ←		



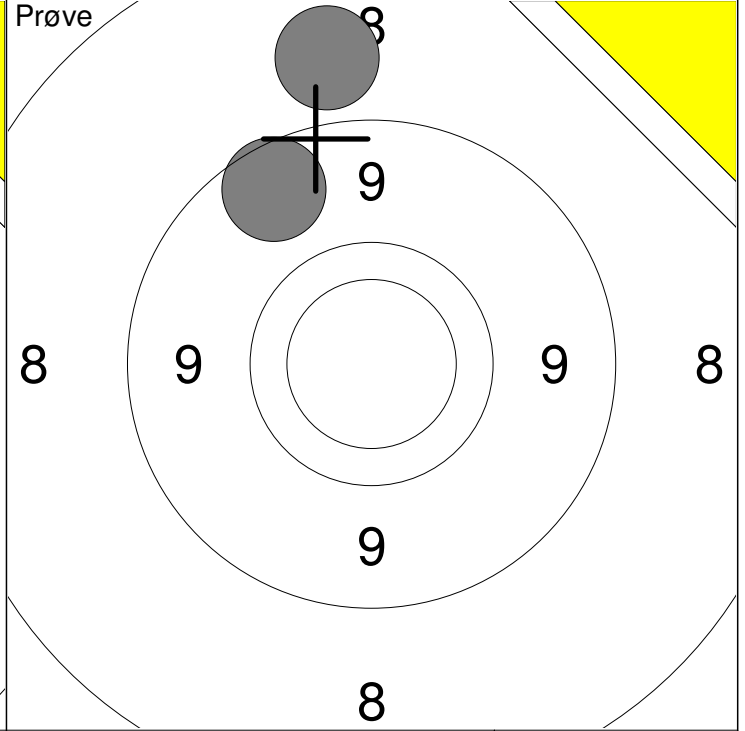
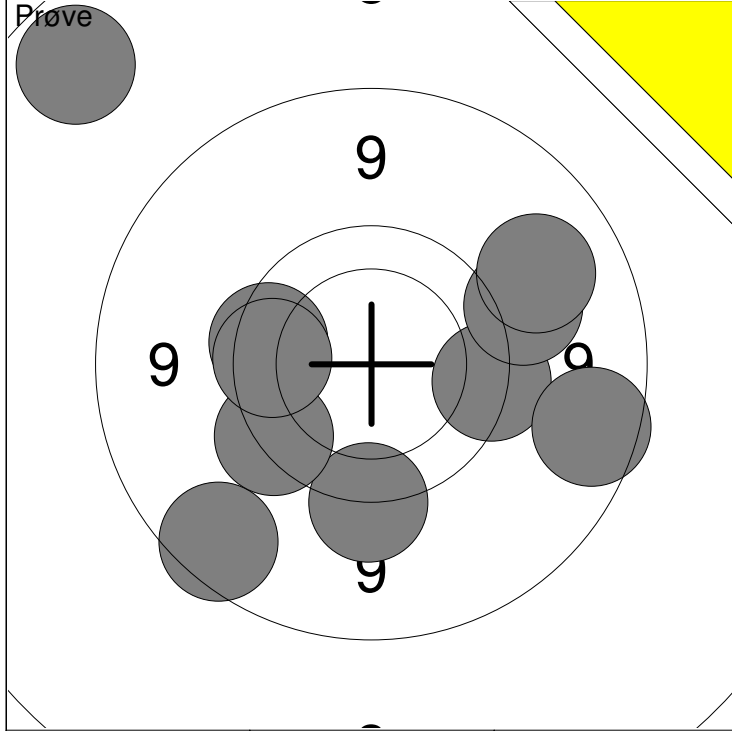
1:	8.8	↑
2:	8.5	→
3:	0.0	↑
4:	7.2	↑
5:	7.6	↑
6:	9.1	↑
7:	9.0	↑
8:	8.0	↓
9:	9.0	↖
10:	8.5	↑
Serie		73
Total		0



1:	8.2	↑
2:	9.2	↑
3:	8.7	↑
4:	9.0	↗
5:	8.9	↗
6:	8.4	↖
7:	8.1	←
8:	8.1	↓
9:	9.0	←
10:	8.8	↑
Serie		83
Total		83

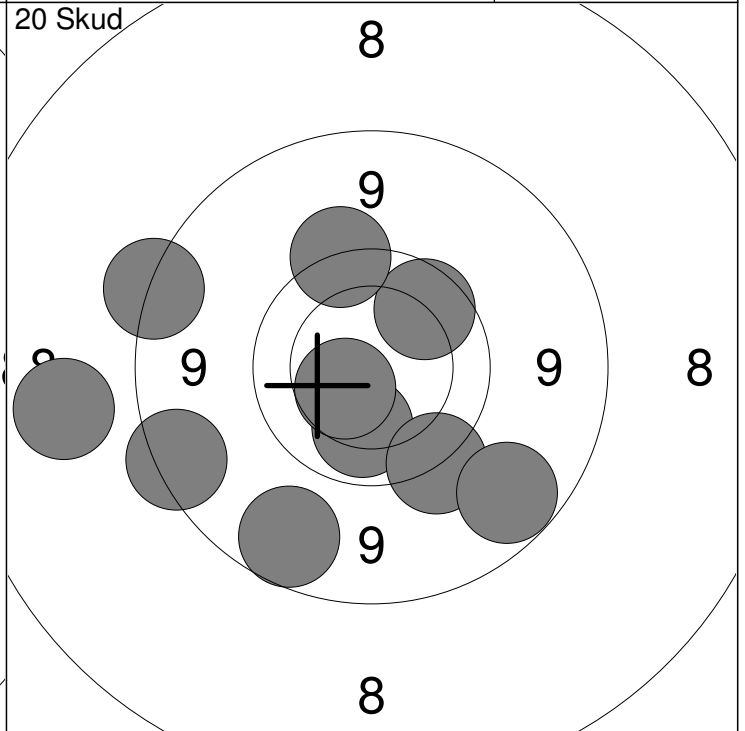
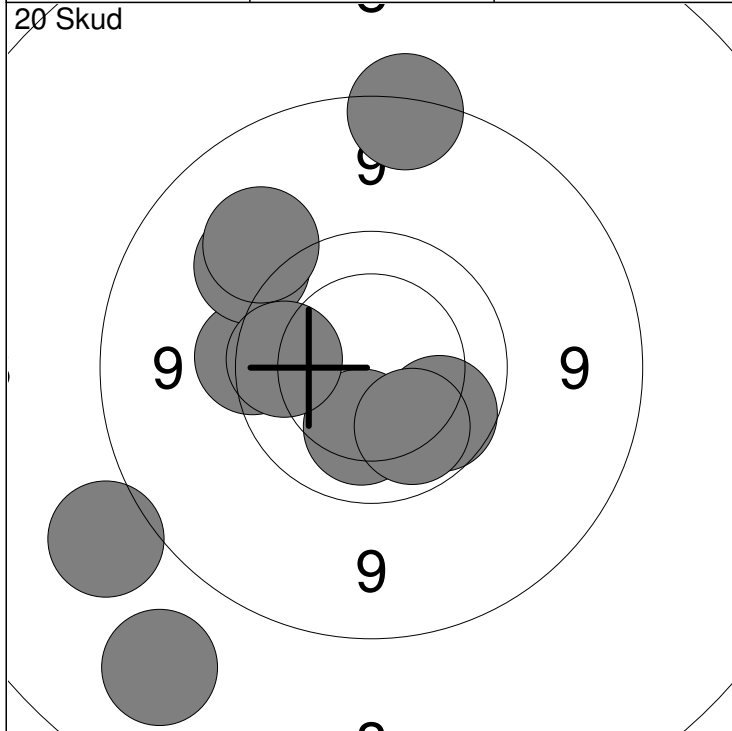


11:	8.5	→
12:	10.0	↓
13:	9.9	↗
14:	9.7	↗
15:	10.3	←
16:	9.2	↑
17:	8.4	↗
18:	9.2	↑
19:	7.4	↓
20:	8.5	↗
Serie		87
Total		170



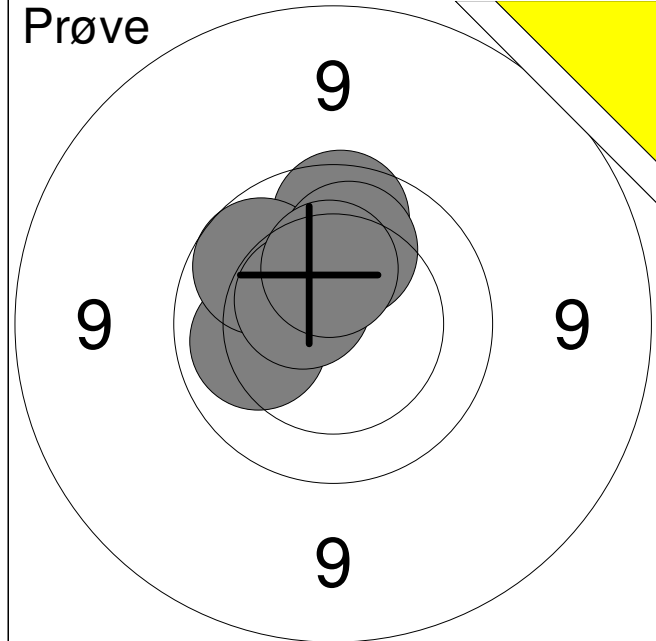
1: 9.6 →	6: 9.5 ↓	Serie	87
2: 9.3 →	7: 9.8 ←		
3: 9.2 →	8: 8.9 ↓	Total	0
4: 8.9 →	9: 9.6 ←		
5: 8.0 ↗	10: 9.8 ←		

11: 8.9 ↖	Serie	16
12: 8.3 ↑		
	Total	0

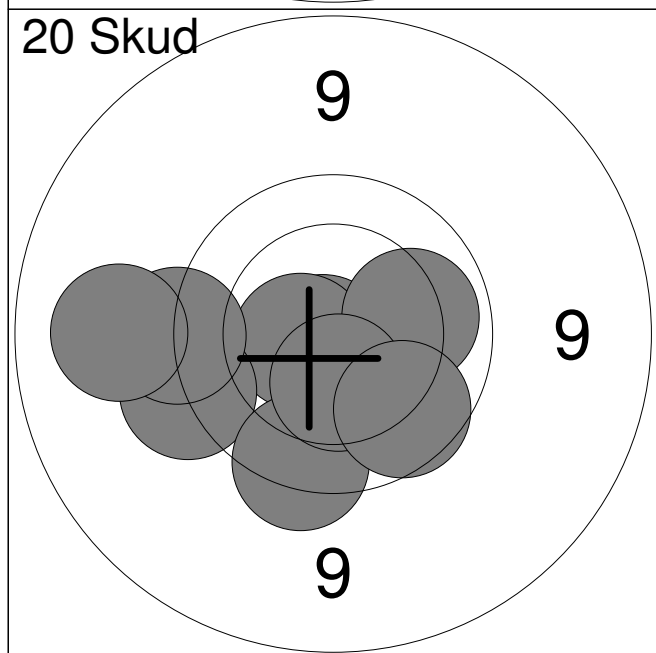


1: 10.2 ↓	6: 9.4 ↗	Serie	89
2: 8.7 ↑	7: 9.3 ↗		
3: 9.9 ↘	8: 10.0 ↓	Total	89
4: 9.6 ←	9: 9.9 ←		
5: 8.5 ↙	10: 8.2 ↓		

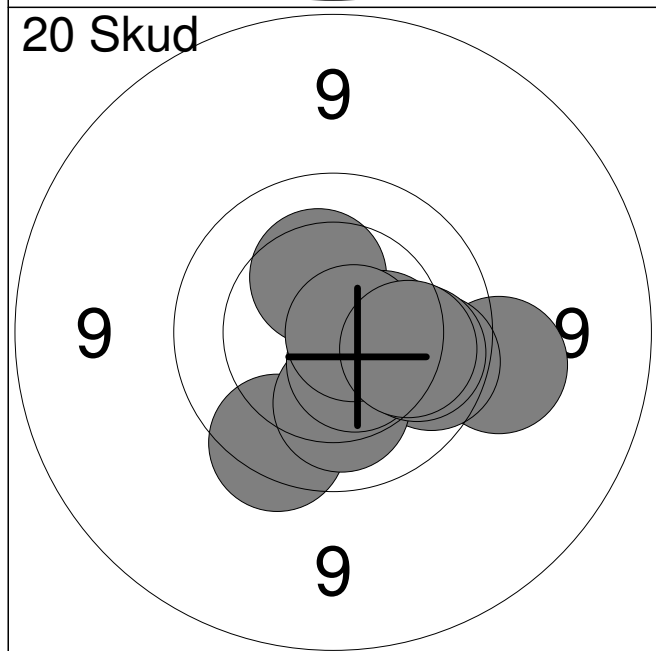
11: 8.3 ←	16: 9.0 ↘	Serie	88
12: 10.1 ↓	17: 9.6 ↑		
13: 9.9 ↗	18: 10.4 ↓	Total	177
14: 8.9 ↓	19: 8.8 ←		
15: 9.5 ↓	20: 8.7 ←		



1:	9.9	↑
2:	10.1	←
3:	9.9	↗
4:	10.5x	↗
5:	10.1	↑
6:	10.3	↑
Serie		58
Total		0

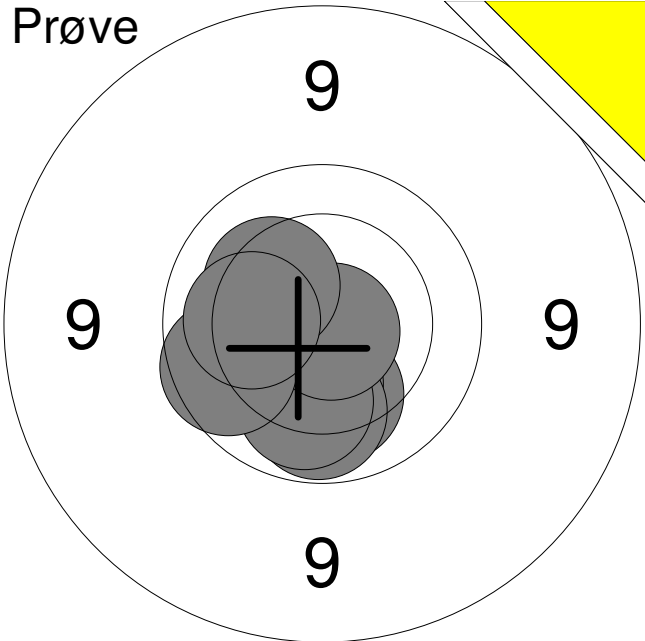


1:	10.4	↘
2:	10.8x	↙
3:	10.6x	←
4:	9.5	←
5:	10.1	→
6:	9.7	↓
7:	9.5	←
8:	10.4	↓
9:	9.9	↘
10:	9.2	←
Serie		95
Total		95



11:	9.7	↙
12:	9.5	→
13:	9.9	→
14:	10.2	↓
15:	10.3	↑
16:	10.4	→
17:	10.5x	↙
18:	10.7x	→
19:	10.0	→
20:	10.1	→
Serie		97
Total		192

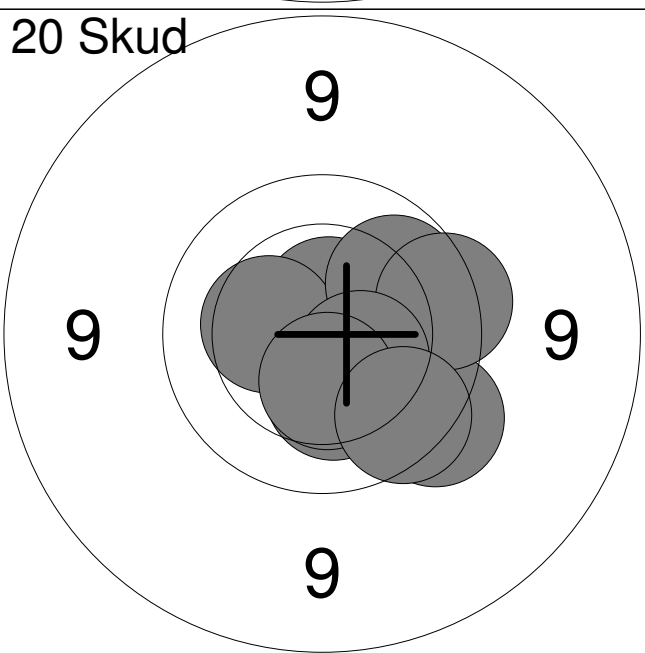
Prøve



1:	10.2	↓
2:	10.3	↓
3:	10.0	↓
4:	10.1	↓
5:	10.8x	↘
6:	9.9	←
7:	10.2	↗
8:	10.2	←

Serie	79
Total	0

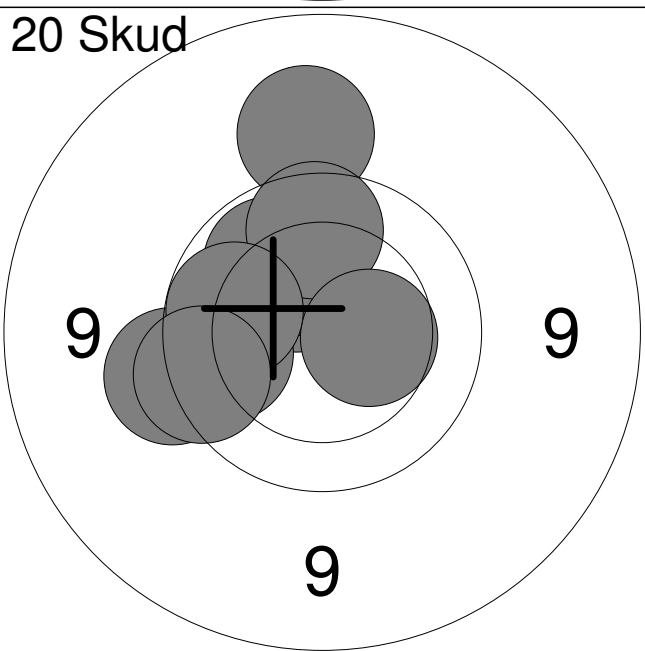
20 Skud



1:	10.6x	↑
2:	10.1	→
3:	9.6	↘
4:	10.3	↓
5:	10.4	←
6:	10.0	↗
7:	9.7	→
8:	10.4	↘
9:	10.4	↓
10:	9.8	↘

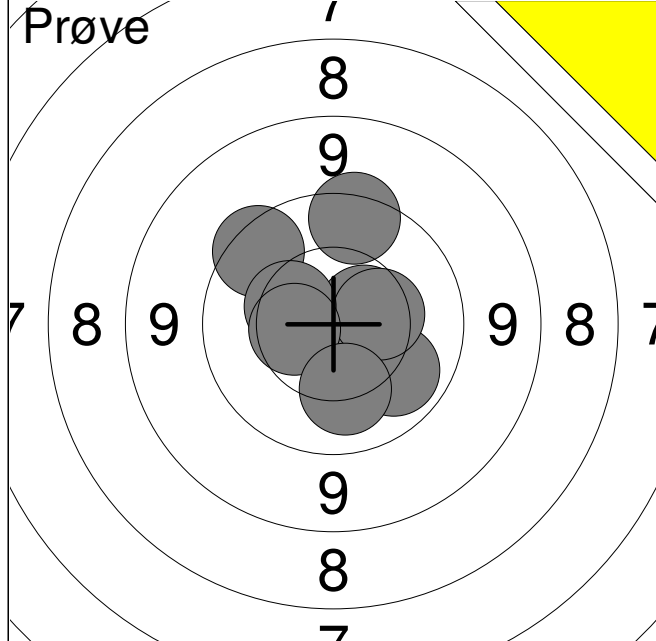
Serie	97
Total	97

20 Skud

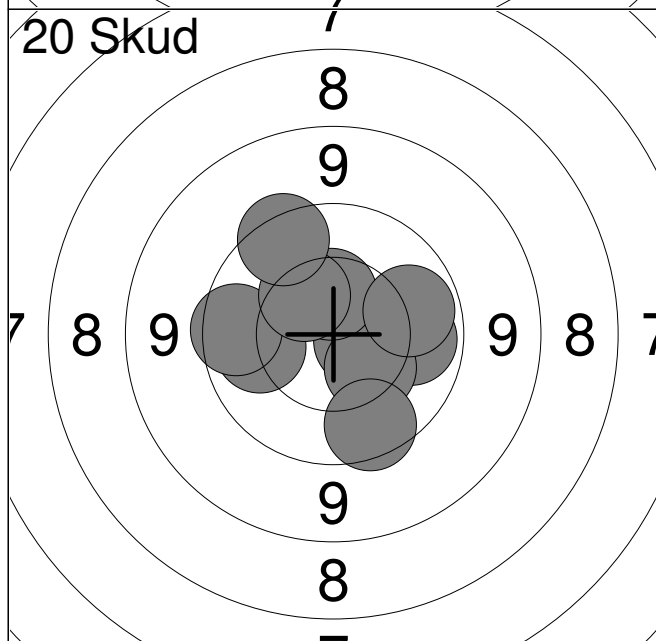


11:	10.3	↗
12:	9.3	↑
13:	10.2	↑
14:	10.0	↗
15:	9.9	↑
16:	9.9	←
17:	9.5	←
18:	10.4	→
19:	10.0	←
20:	9.7	←

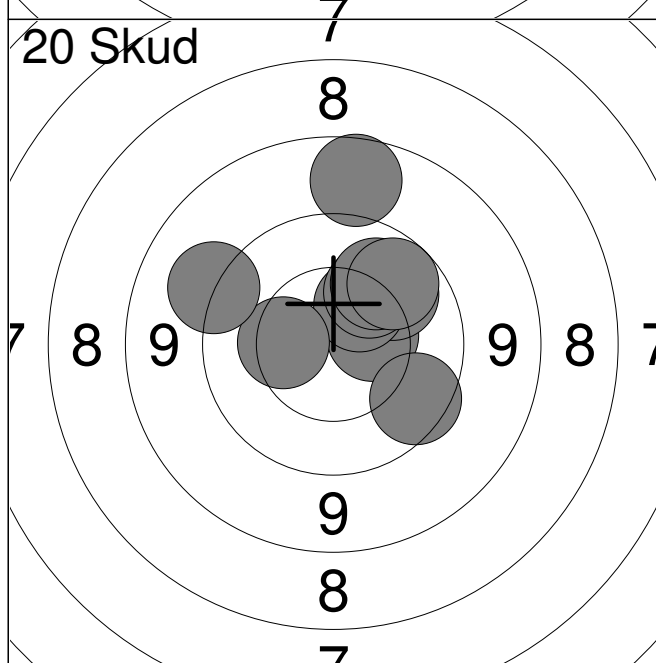
Serie	95
Total	192



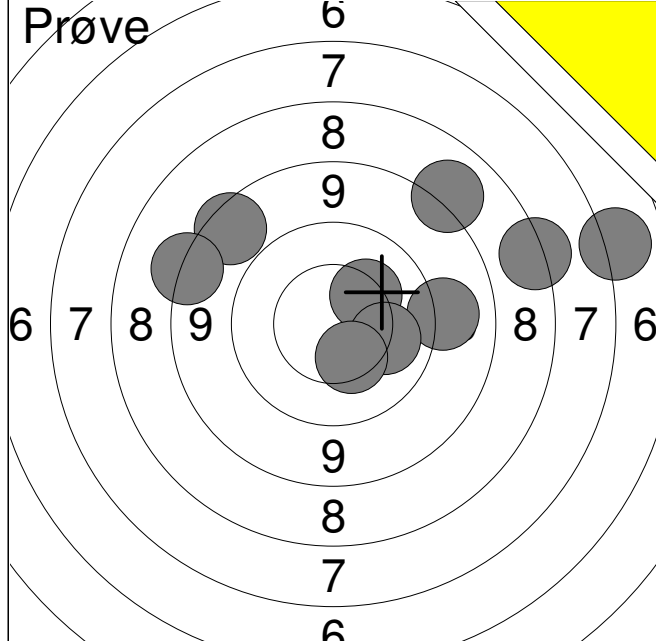
1:	9.6	↑
2:	10.0	↘
3:	10.6	→
4:	10.4	→
5:	9.7	↗
6:	10.4	↖
7:	10.5	←
8:	10.2	↓
Serie		78
Total		0



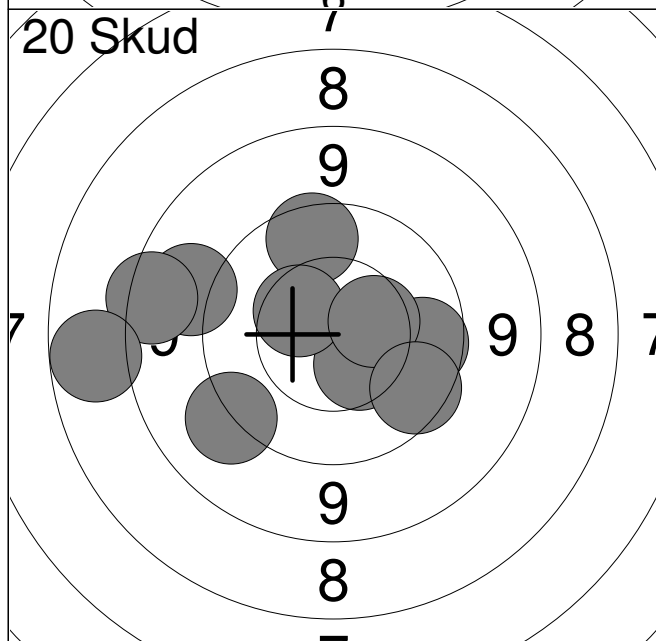
1:	10.6x	→
2:	10.0	→
3:	10.4	↘
4:	10.5	↑
5:	10.1	←
6:	9.8	↘
7:	10.0	→
8:	9.8	←
9:	10.4	↗
10:	9.7	↗
Serie		97
Total		97



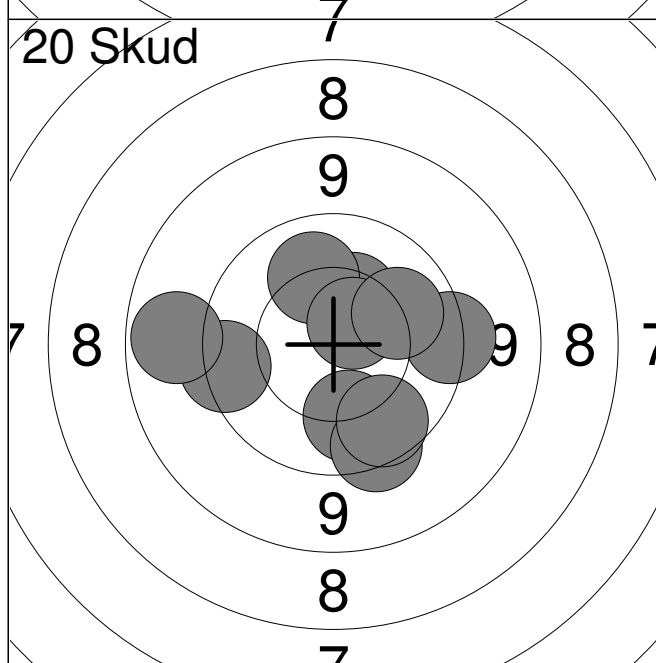
11:	10.5	→
12:	10.0	↗
13:	8.9	↑
14:	10.4	↗
15:	10.2	↗
16:	10.4	←
17:	9.3	↖
18:	10.1	↗
19:	9.9	↗
20:	9.8	↘
Serie		95
Total		192



1:	6.2	→
2:	7.5	→
3:	8.2	↗
4:	8.7	↗
5:	9.2	→
6:	8.4	←
7:	10.3	↗
8:	10.1	→
9:	10.4	↘
Serie		76
Total		0

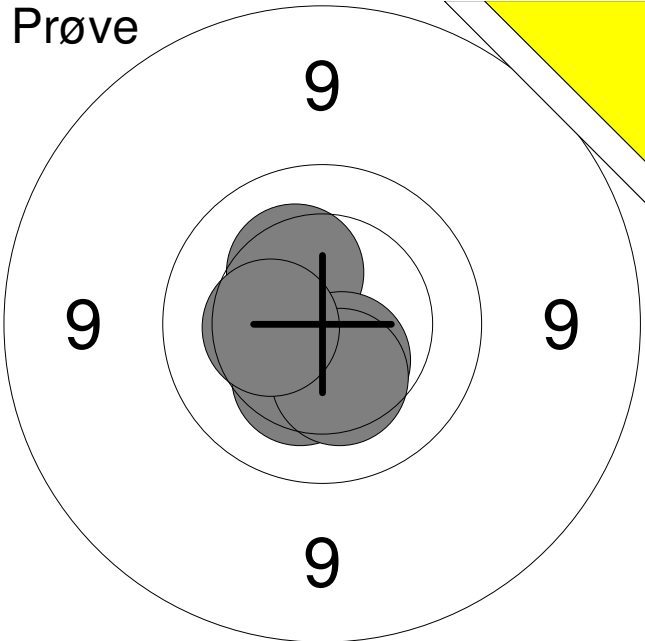


1:	9.9	→
2:	9.1	←
3:	8.7	←
4:	10.5	↘
5:	9.8	↑
6:	10.5	↗
7:	10.4	→
8:	8.0	←
9:	9.8	↘
10:	9.3	↘
Serie		91
Total		91



11:	10.4	↗
12:	10.1	↑
13:	9.5	→
14:	10.6x	↗
15:	9.6	←
16:	10.1	↘
17:	9.0	←
18:	9.6	↘
19:	9.9	↘
20:	10.1	→
Serie		95
Total		186

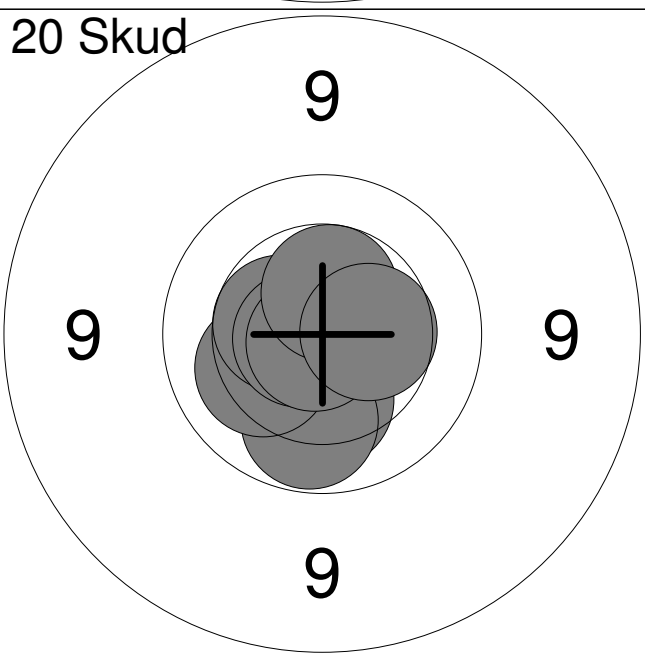
Prøve



1:	10.3	↗
2:	10.5x	↓
3:	10.3	↓
4:	10.3	↓
5:	10.4	←

Serie	50
Total	0

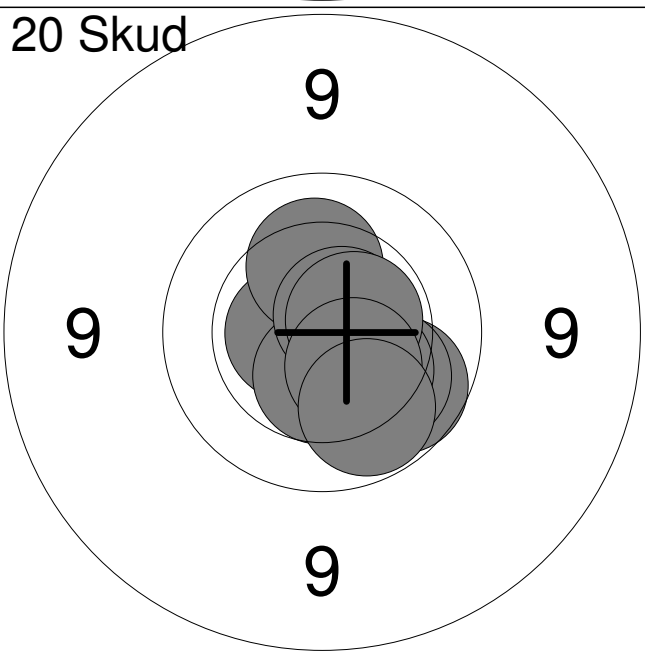
20 Skud



1:	10.2	↓
2:	10.8x	↙
3:	10.0	↓
4:	10.6x	←
5:	10.2	↙
6:	10.5	←
7:	10.7x	←
8:	10.8x	↙
9:	10.5x	↑
10:	10.4	→

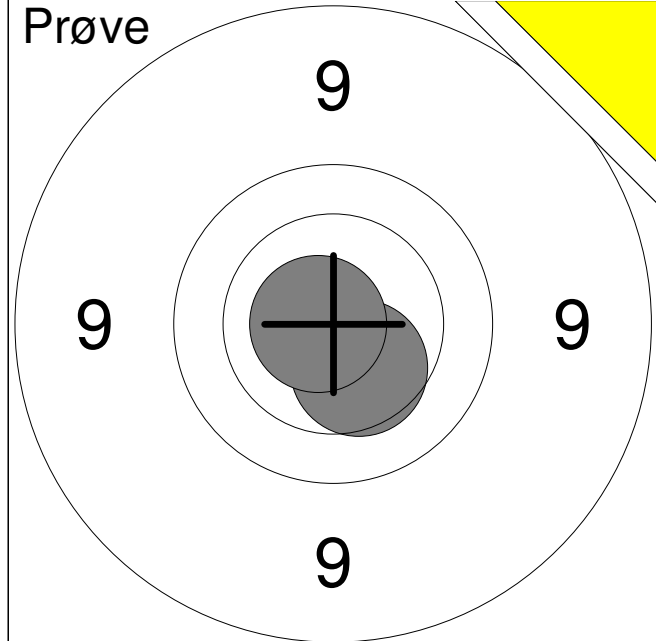
Serie	100
Total	100

20 Skud

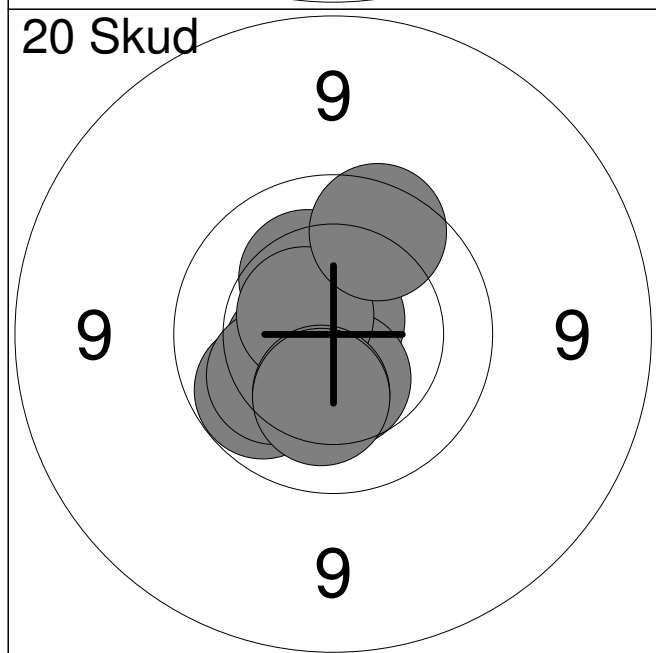


11:	10.6x	←
12:	10.5	↓
13:	9.9	↙
14:	10.2	↑
15:	10.1	↙
16:	10.7x	↗
17:	10.3	↓
18:	10.6x	↗
19:	10.4	↙
20:	10.0	↓

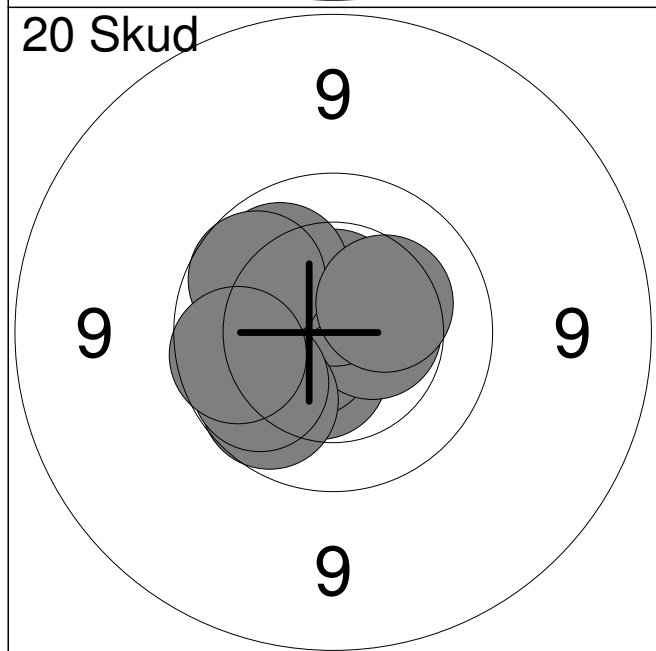
Serie	99
Total	199



	1:	10.4	↘
	2:	10.8x	←
Serie			20
Total			0

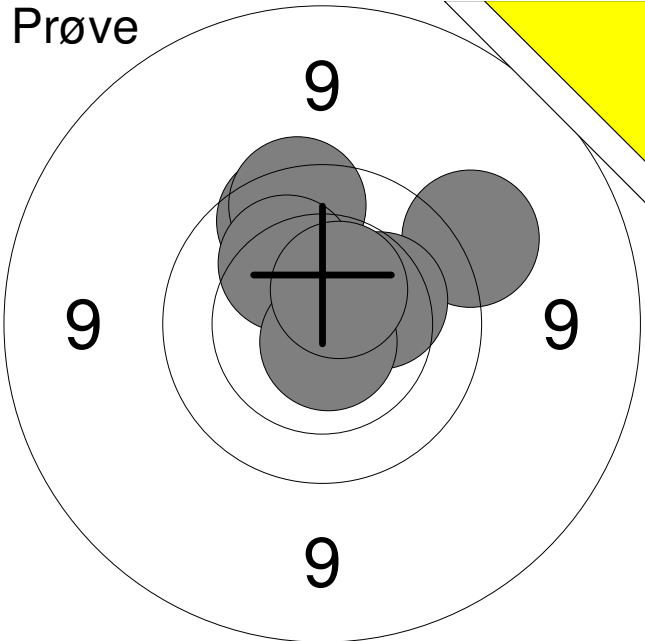


	1:	10.3	↖
	2:	10.8x	↑
	3:	10.0	↙
	4:	10.4	↓
	5:	10.5	↙
	6:	10.2	↙
	7:	10.6x	↖
	8:	10.3	↓
	9:	9.8	↗
	10:	10.2	↓
Serie			99
Total			99



	11:	10.5x	↓
	12:	10.6x	↙
	13:	10.5x	→
	14:	10.6x	↑
	15:	10.1	↖
	16:	9.9	↙
	17:	9.9	↖
	18:	10.0	↙
	19:	9.9	←
	20:	10.3	↗
Serie			97
Total			196

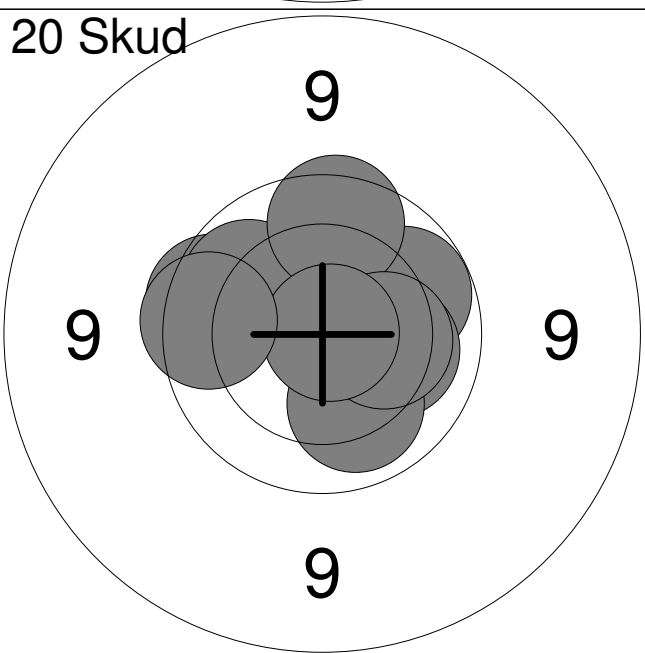
Prøve



1:	9.4	↗
2:	9.8	↑
3:	10.3	↗
4:	9.8	↑
5:	10.2	↗
6:	10.7x	↓
7:	10.5x	↗

Serie	67
Total	0

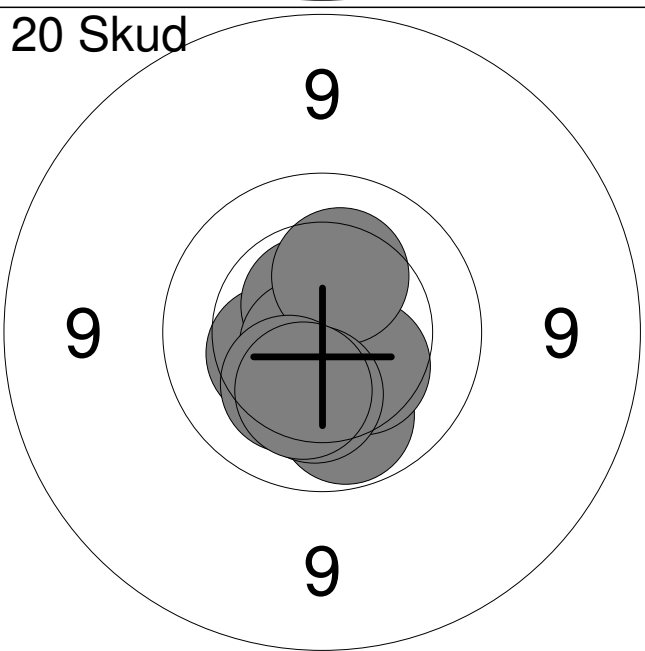
20 Skud



1:	9.8	←
2:	10.1	↗
3:	10.0	↖
4:	10.0	↗
5:	10.2	→
6:	10.1	↓
7:	9.8	↑
8:	10.3	→
9:	10.9x	→
10:	9.8	←

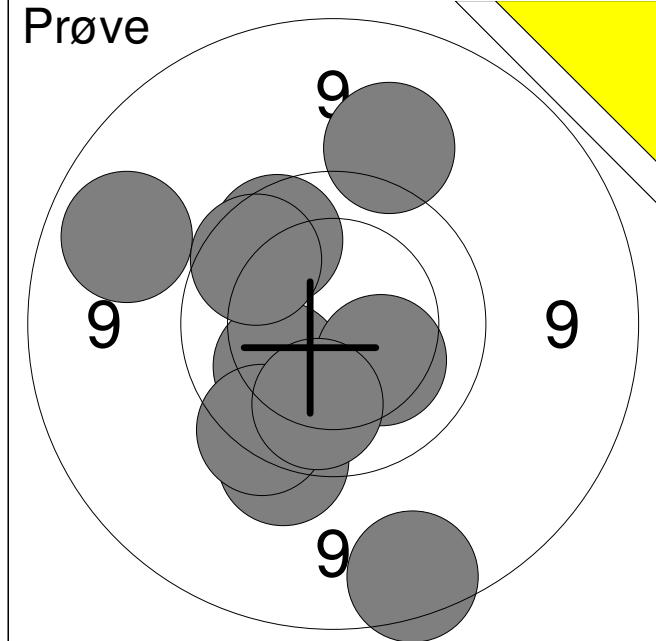
Serie	97
Total	97

20 Skud

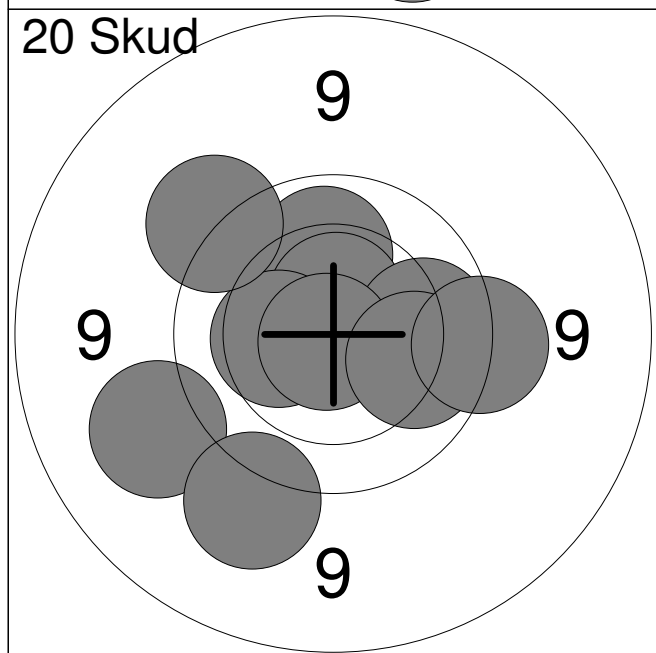


11:	10.4	↙
12:	10.0	↓
13:	10.6x	↓
14:	10.6x	↑
15:	10.7x	↙
16:	10.4	↘
17:	10.3	↑
18:	10.3	↙
19:	10.3	↓
20:	10.3	↓

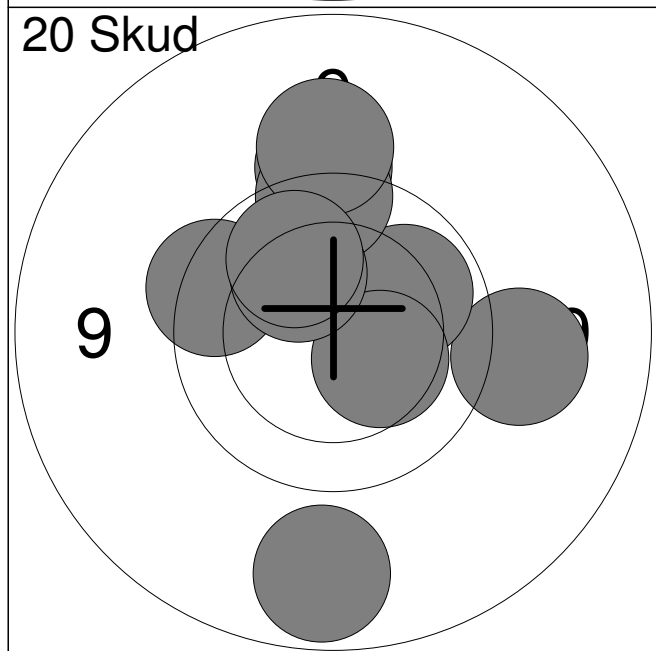
Serie	100
Total	197



1:	9.3	↗
2:	9.9	↖
3:	9.6	↓
4:	10.2	↙
5:	9.7	↘
6:	10.3	↘
7:	9.1	↖
8:	9.9	↗
9:	10.0	↓
10:	8.8	↓
Serie		92
Total		0



1:	10.1	↑
2:	9.3	↙
3:	9.4	↓
4:	10.6x	↑
5:	10.4	↙
6:	10.0	→
7:	9.5	↗
8:	10.8x	↘
9:	10.0	→
10:	9.6	→
Serie		96
Total		96



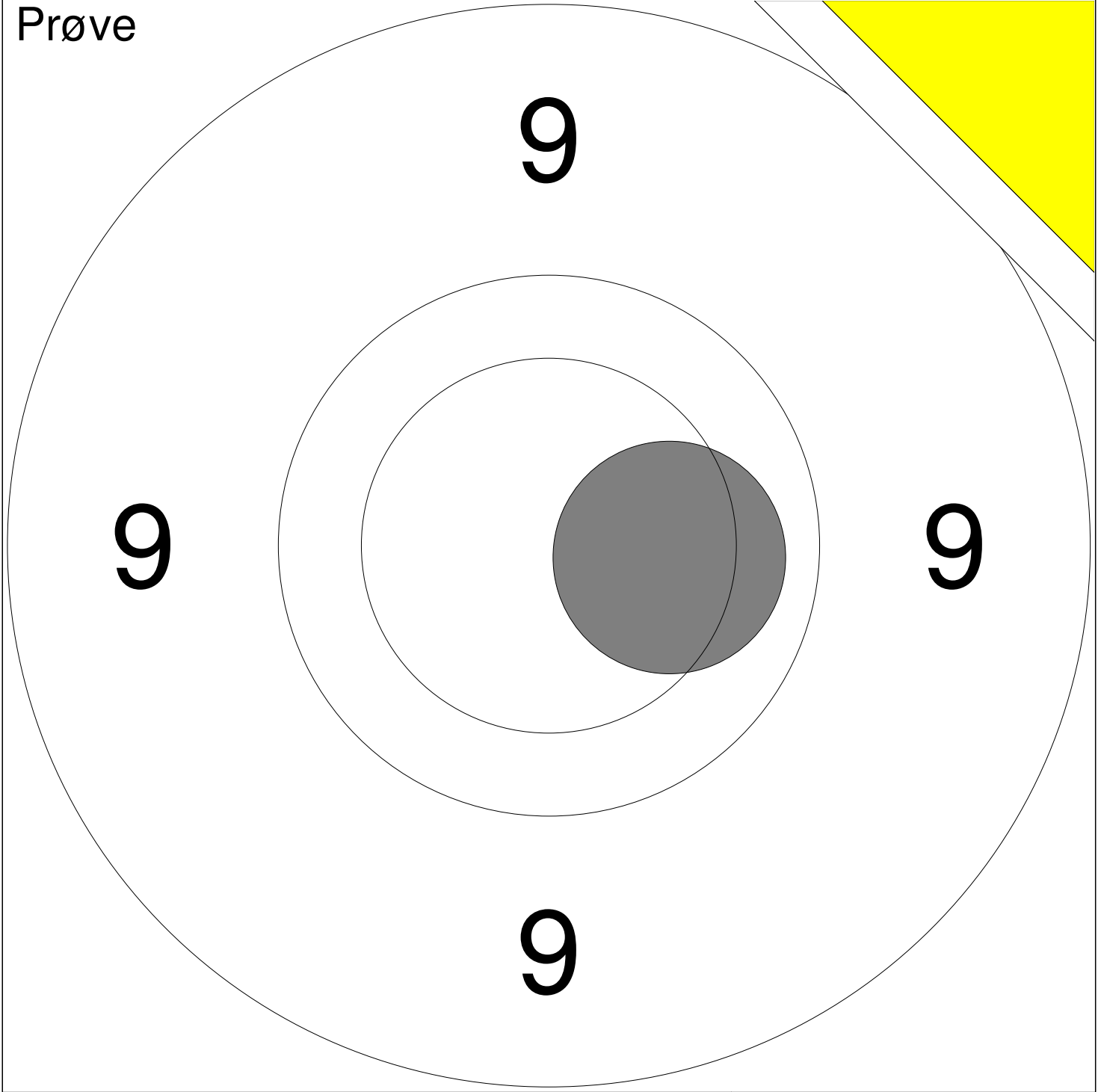
11:	9.3	→
12:	10.1	↗
13:	9.5	↑
14:	9.7	↑
15:	9.4	↑
16:	10.4	↘
17:	9.7	↖
18:	10.2	↗
19:	10.0	↗
20:	9.0	↓
Serie		94
Total		190

Hold 27	Skive 5	
-------------------	-------------------	--

Aalborg

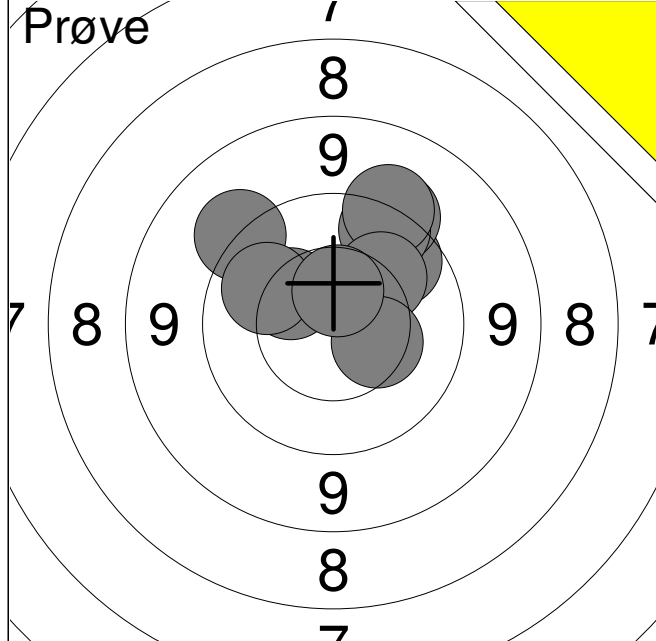
28.10.2017 15 meter riffelstævne 2017 Aalborg Skyttekreds

Prøve

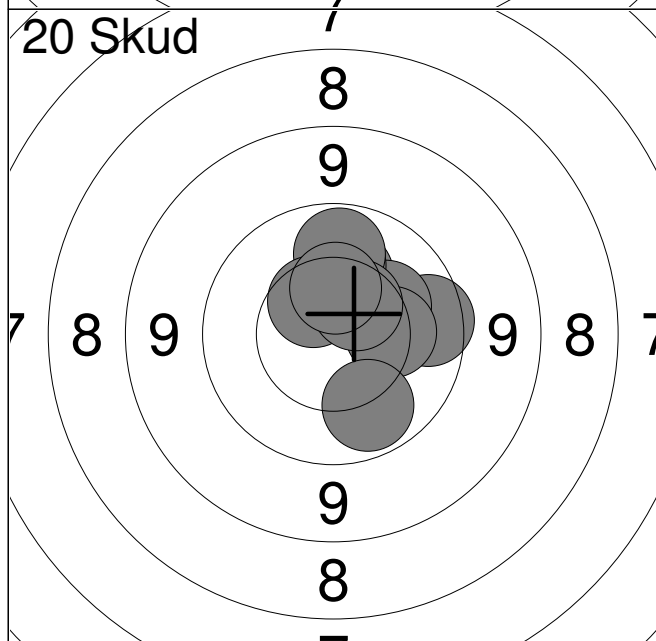


1: 10.2 ➤

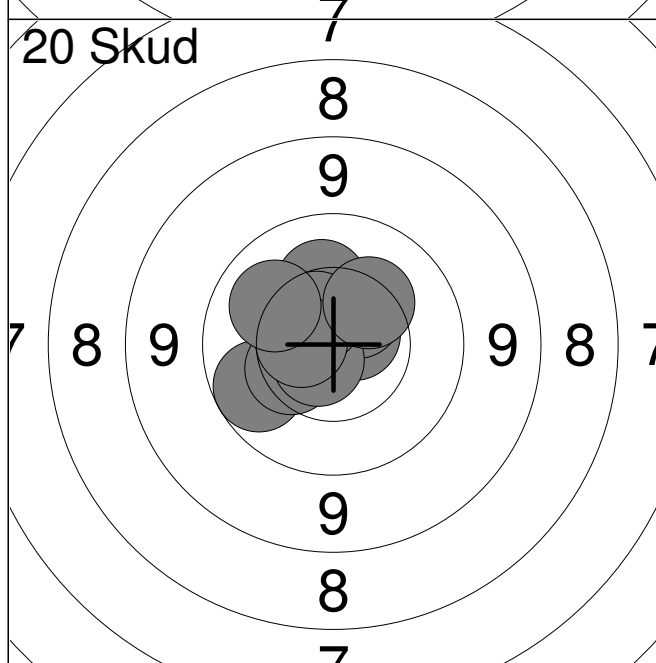
Serie	10
Total	0



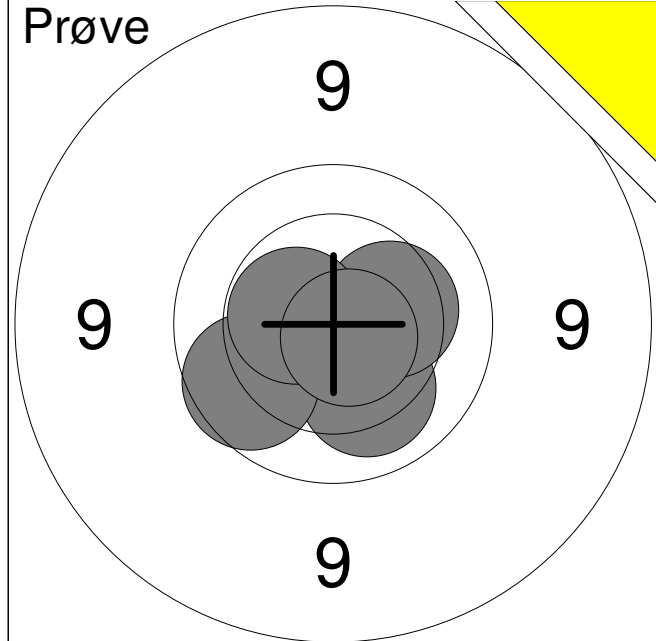
1:	9.9	↗
2:	9.5	↗
3:	9.7	↗
4:	9.4	↗
5:	10.2	↗
6:	10.4	→
7:	10.3	↖
8:	9.4	↖
9:	10.1	↖
10:	10.6	↑
Serie	95	
Total	0	



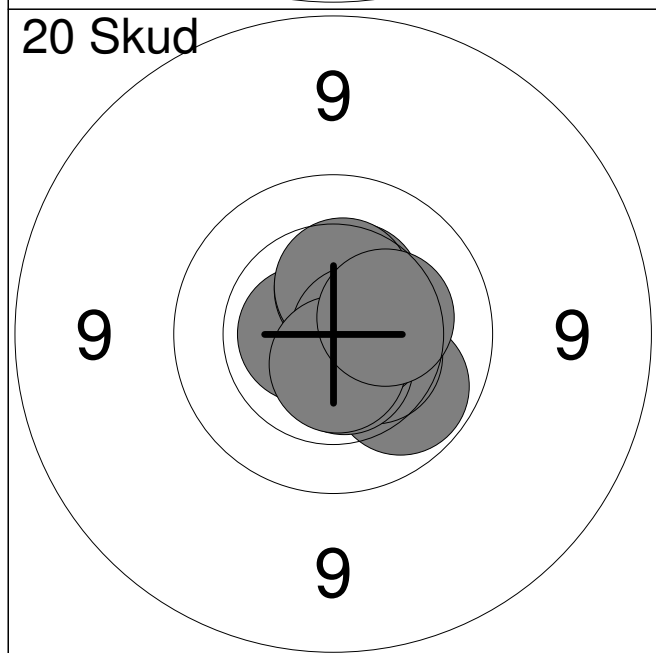
1:	10.2	↑
2:	9.8	→
3:	10.3	↗
4:	10.1	↑
5:	10.0	↑
6:	10.3	→
7:	10.0	↓
8:	10.5	↖
9:	10.5	↗
10:	10.4	↑
Serie	99	
Total	99	



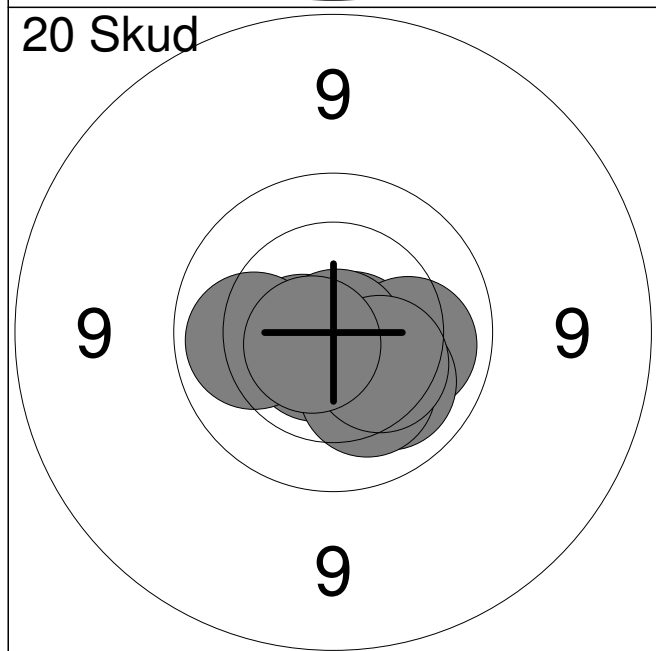
11:	9.9	↖
12:	10.7x	↗
13:	10.5	↗
14:	10.4	↖
15:	10.2	↑
16:	10.7x	↖
17:	10.6	↖
18:	10.6	←
19:	10.3	↗
20:	10.1	↖
Serie	99	
Total	198	



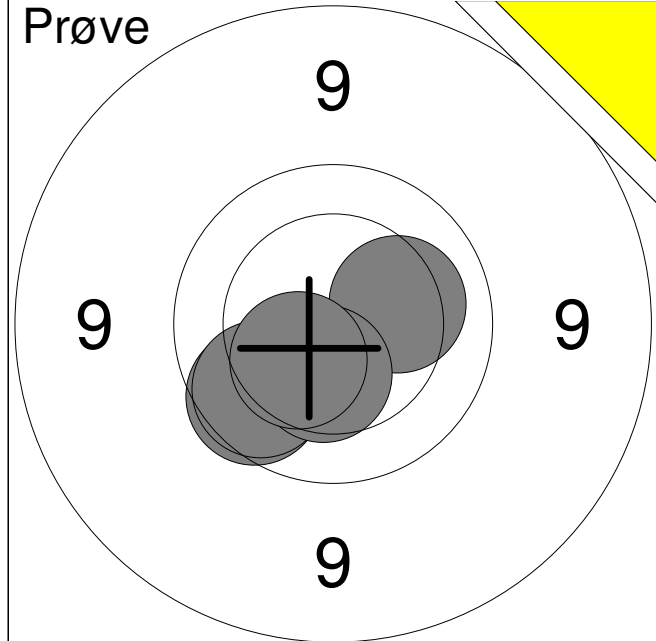
1:	10.1	↘
2:	9.9	↙
3:	10.3	→
4:	10.5x	↙
5:	10.7x	↘
Serie		49
Total		0



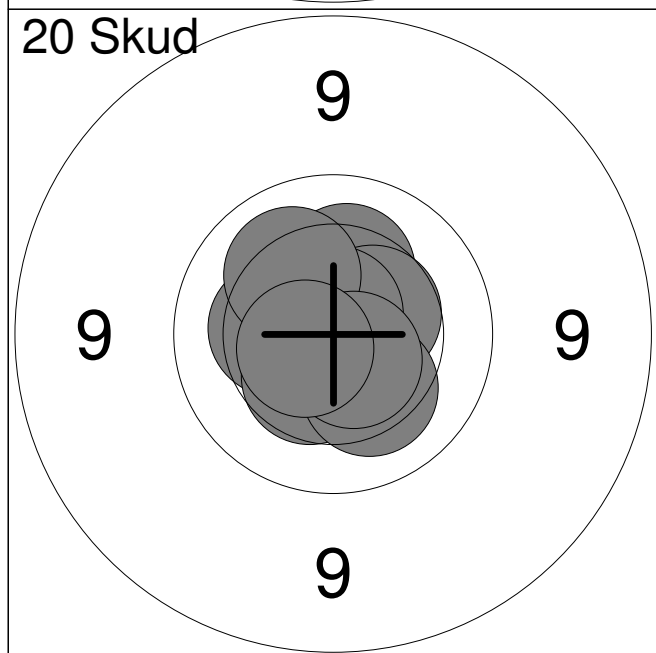
1:	10.0	↘
2:	10.7x	↙
3:	10.4	↘
4:	10.4	↗
5:	10.6x	↘
6:	10.4	↗
7:	10.4	↗
8:	10.7x	→
9:	10.6x	↘
10:	10.3	→
Serie		100
Total		100



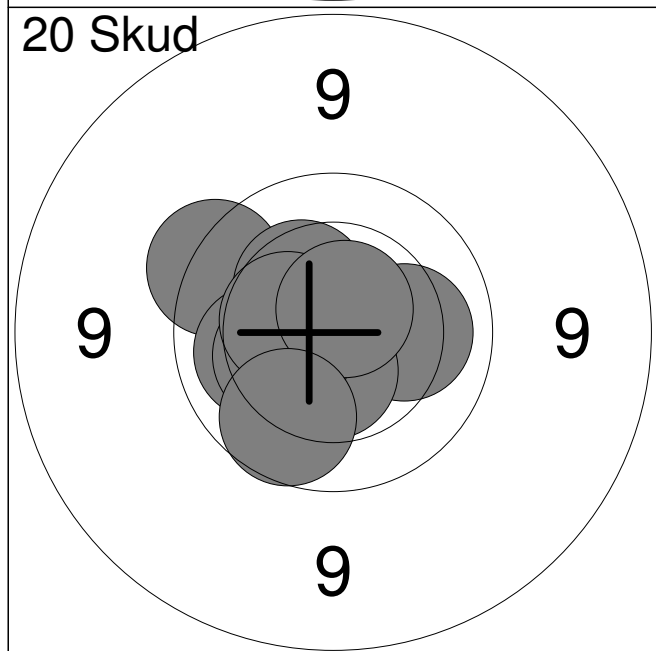
11:	10.7x	↘
12:	10.1	→
13:	10.6x	↙
14:	10.9x	↘
15:	10.1	↘
16:	10.7x	↘
17:	10.2	↘
18:	10.3	↘
19:	10.1	↙
20:	10.7x	↙
Serie		100
Total		200



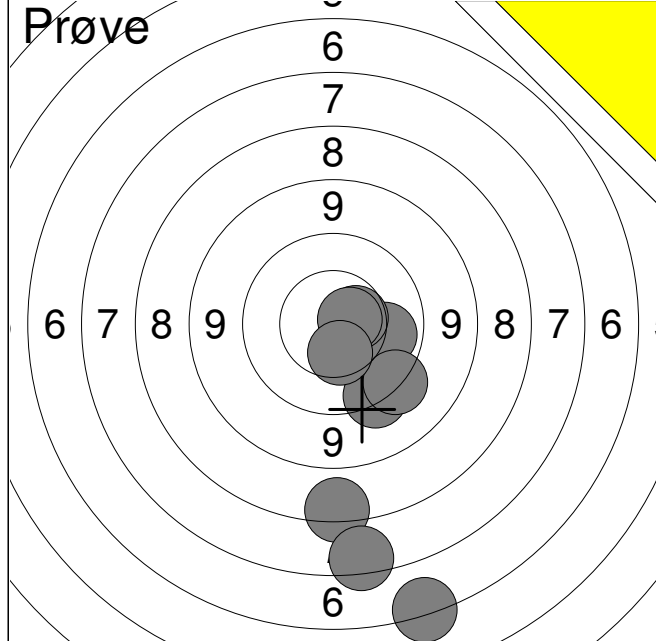
1:	10.2	→
2:	9.8	↙
3:	9.9	↙
4:	10.4	↓
5:	10.4	↙
Serie		48
Total		0



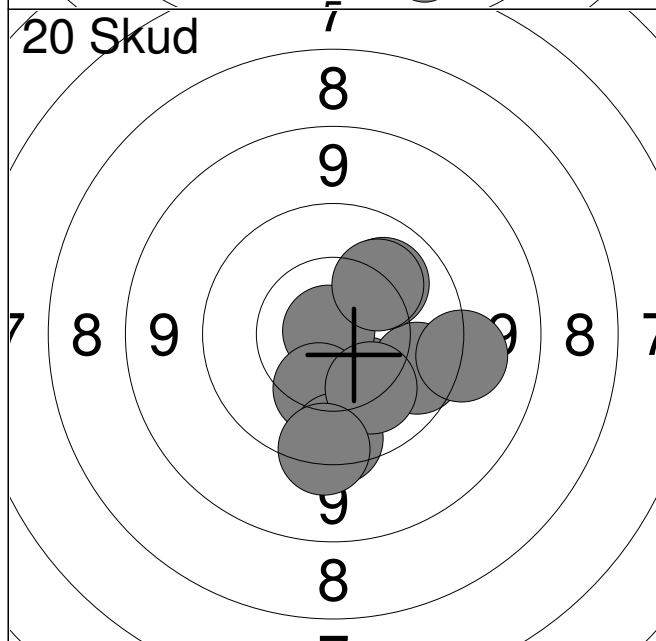
1:	10.6x	←
2:	10.3	←
3:	10.3	↑
4:	10.4	↙
5:	10.5	→
6:	10.2	↙
7:	10.7x	↑
8:	10.2	↗
9:	10.6x	↙
10:	10.6x	←
Serie		100
Total		100



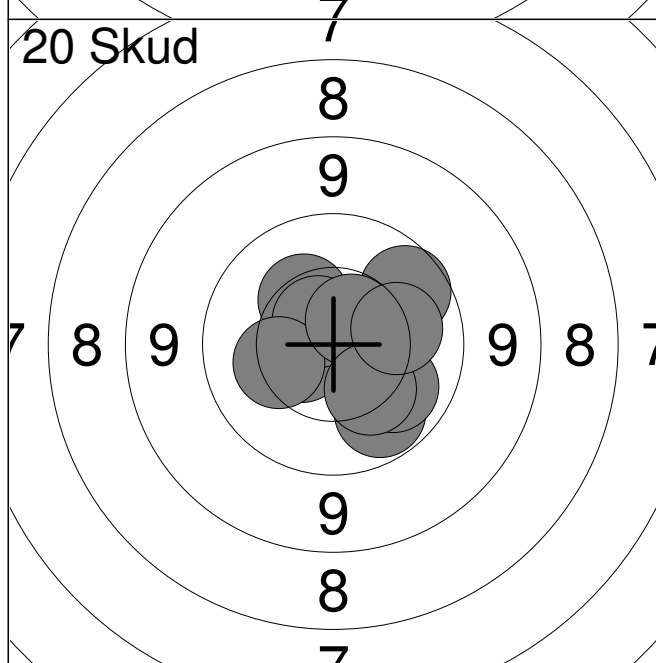
11:	10.2	→
12:	10.6x	↗
13:	9.7	↗
14:	10.4	↗
15:	10.1	←
16:	10.5x	↓
17:	10.3	←
18:	10.4	←
19:	10.7x	↗
20:	9.9	↙
Serie		98
Total		198



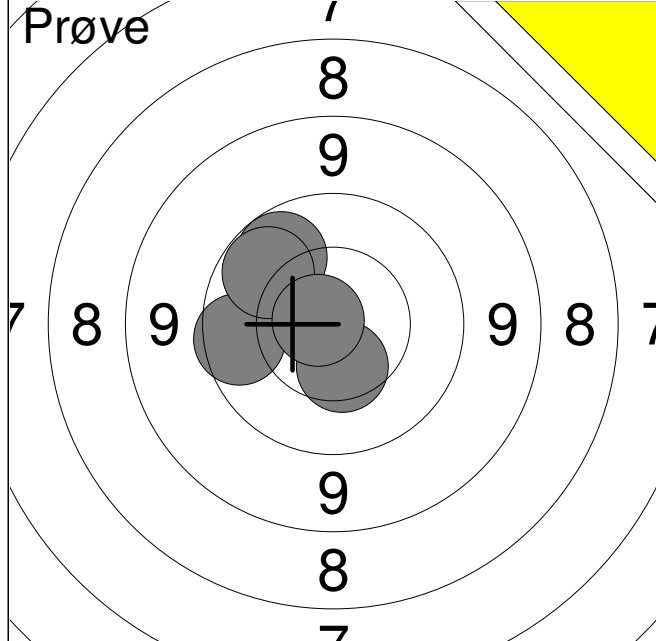
1:	7.6	↓
2:	5.4	↓
3:	6.6	↓
4:	9.5	↓
5:	10.1	→
6:	9.5	↓
7:	10.6	→
8:	10.7x	→
9:	10.4	↓
Serie		76
Total		0



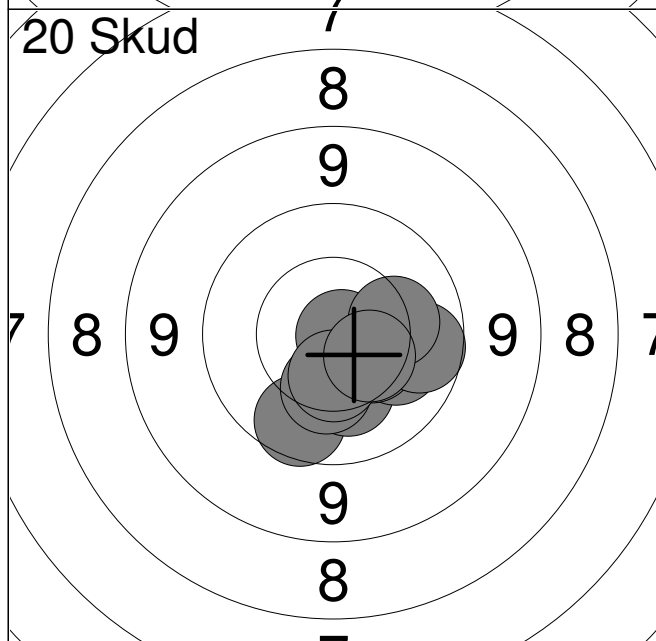
1:	10.3	↓
2:	10.9x	↗
3:	9.9	→
4:	10.1	↗
5:	10.3	↓
6:	9.7	↓
7:	9.4	→
8:	10.2	↓
9:	9.6	↓
10:	10.2	↗
Serie		96
Total		96



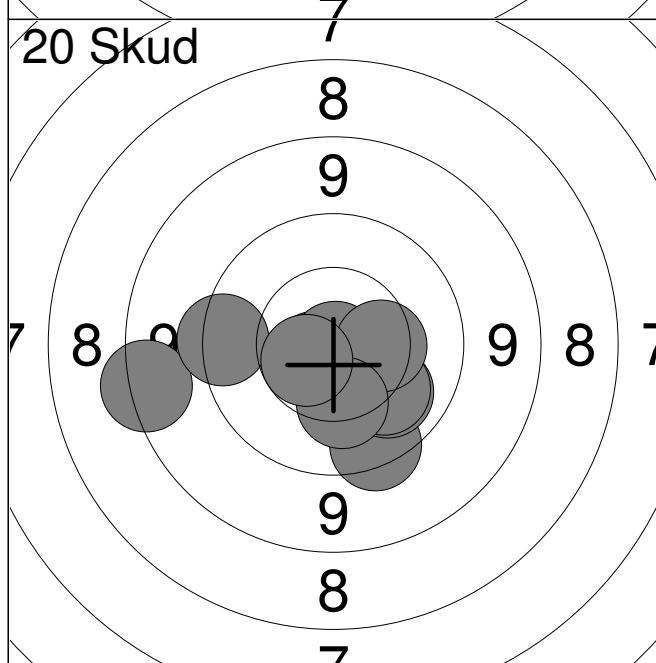
11:	10.3	↗
12:	10.6	←
13:	10.0	↓
14:	10.6x	↗
15:	10.1	↓
16:	9.9	↗
17:	10.3	←
18:	10.6x	↗
19:	10.3	↓
20:	10.2	→
Serie		99
Total		195



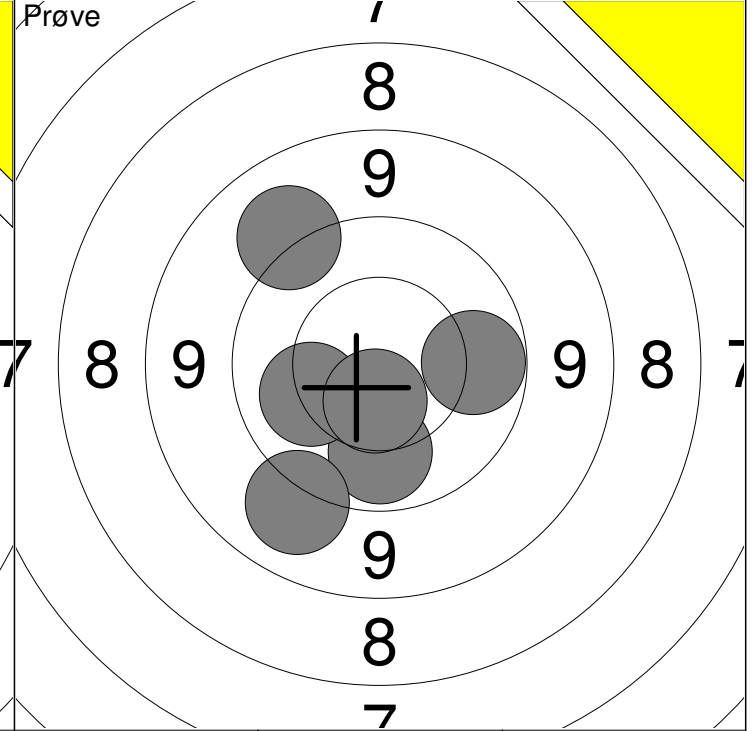
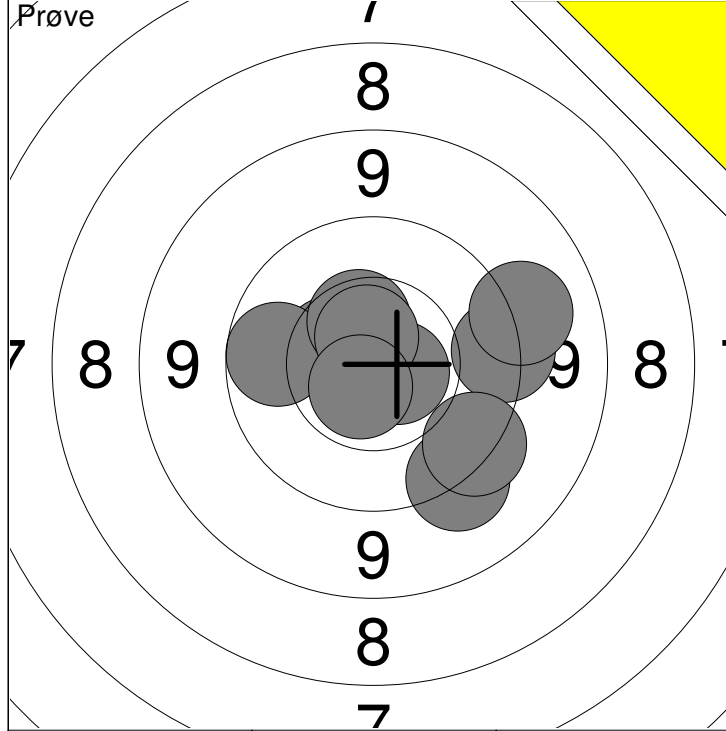
1:	10.0	↗
2:	9.8	←
3:	10.4	↓
4:	10.0	↗
5:	10.8x	←
Serie		49
Total		0



1:	9.8	↓
2:	10.3	↓
3:	10.2	→
4:	10.3	↓
5:	10.4	↓
6:	10.8x	→
7:	9.9	→
8:	10.5	↓
9:	10.2	→
10:	10.4	↓
Serie		98
Total		98

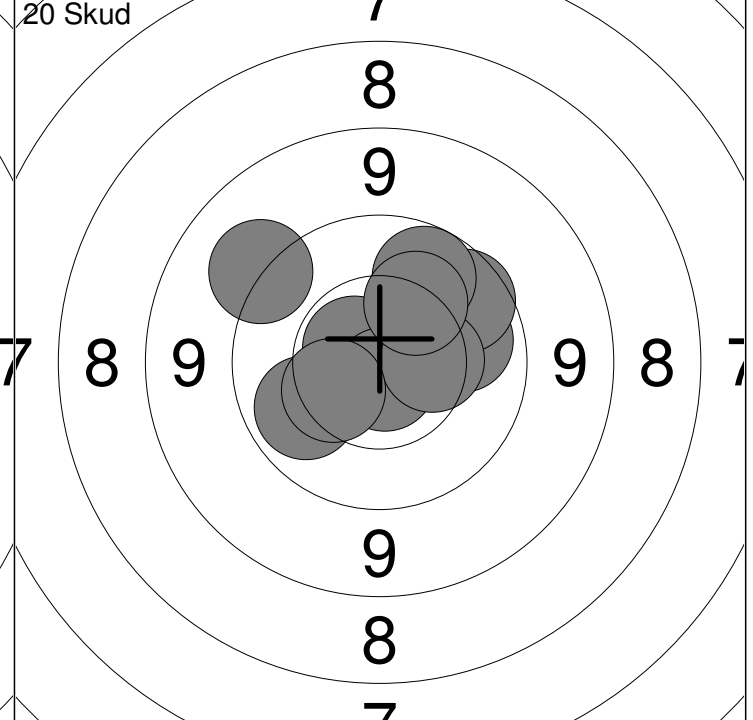
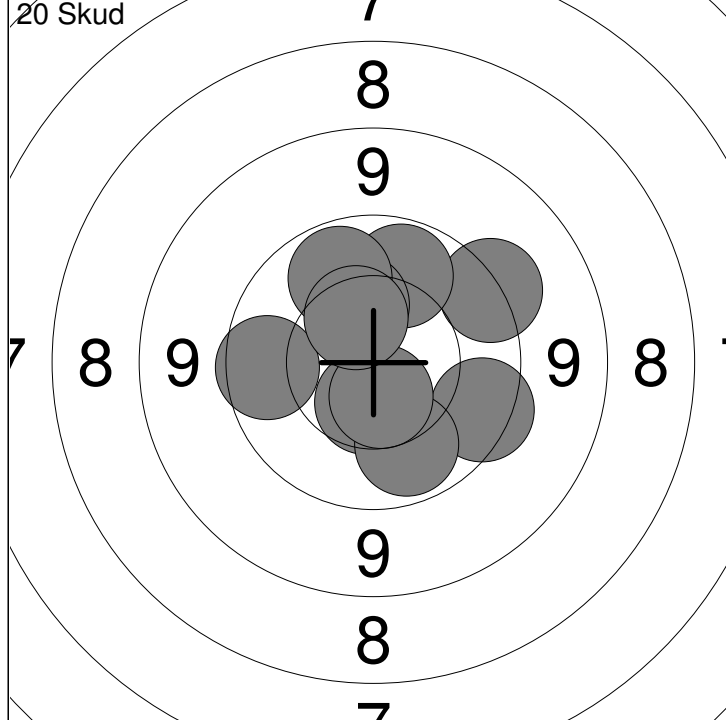


11:	10.7x	←
12:	10.9x	↓
13:	9.6	↓
14:	10.1	↓
15:	8.6	←
16:	9.6	←
17:	10.1	↓
18:	10.4	→
19:	10.3	↓
20:	10.6x	←
Serie		96
Total		194



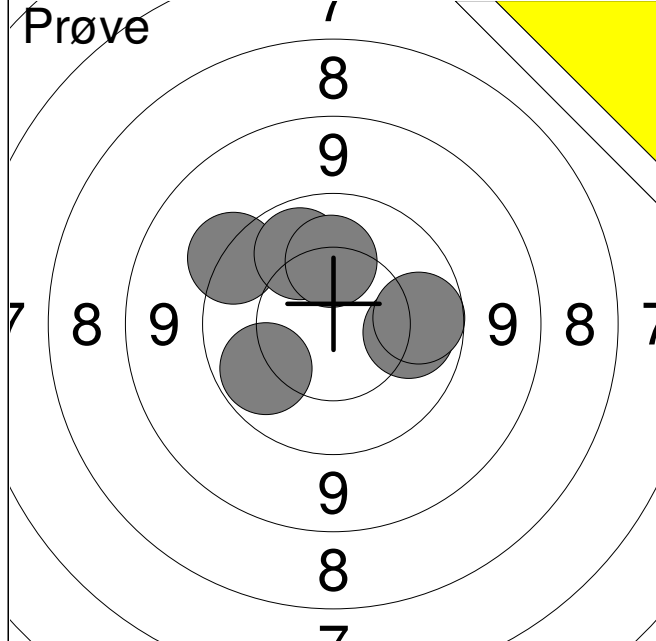
1: 10.5 ↖	6: 9.4 ↘	Serie 95
2: 9.9 ←	7: 9.5 →	
3: 10.7x →	8: 9.3 →	Total 0
4: 10.5 ↗	9: 10.7x ↘	
5: 10.7x ↗	10: 9.6 ↘	

11: 10.0 ↓	16: 10.6 ↓	Serie 58
12: 9.3 ↖	13: 10.0 →	
14: 10.2 ←	15: 9.2 ↘	Total 0

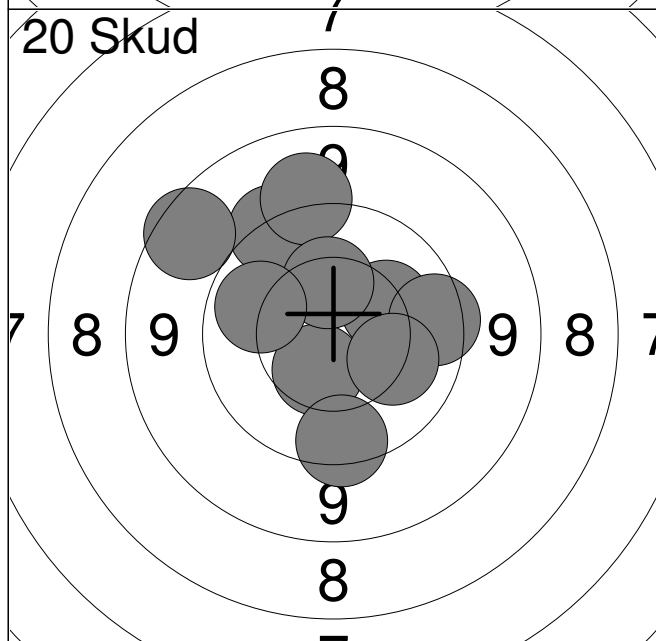


1: 9.8 ←	6: 10.0 ↘	Serie 97
2: 9.5 ↗	7: 10.3 ↗	
3: 10.0 ↗	8: 10.6 ↘	Total 97
4: 9.7 →	9: 10.0 ↗	
5: 10.5 ↓	10: 10.4 ↗	

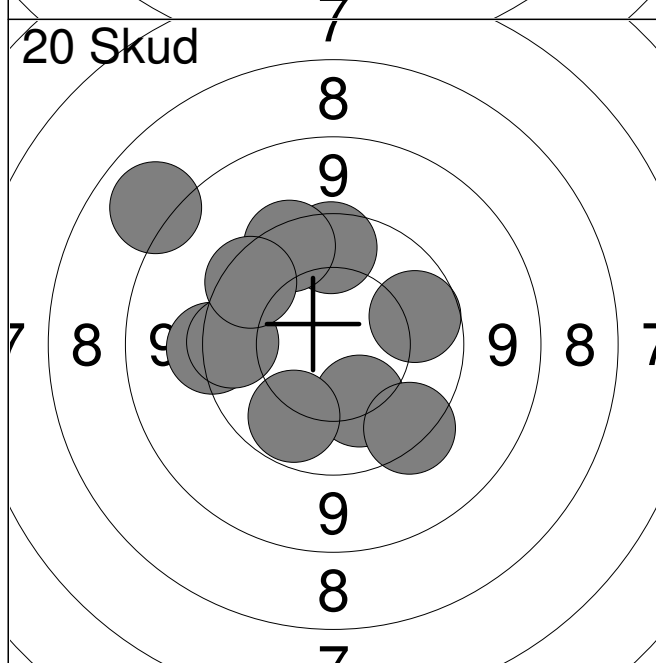
11: 10.1 →	16: 10.4 →	Serie 98
12: 9.9 ↗	17: 10.0 ←	
13: 10.6x ↖	18: 10.4 ←	Total 195
14: 10.8x ↓	19: 10.2 ↗	
15: 10.0 ↗	20: 9.3 ↖	



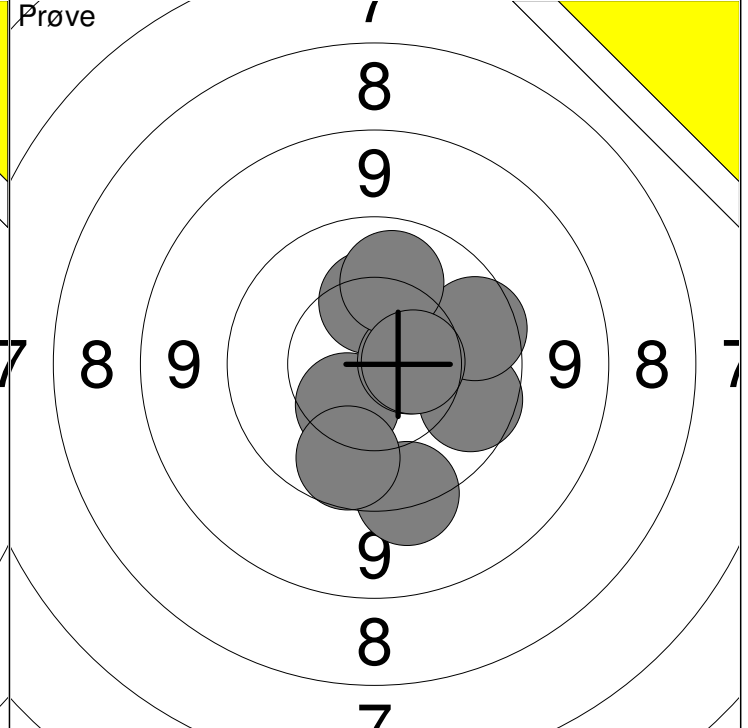
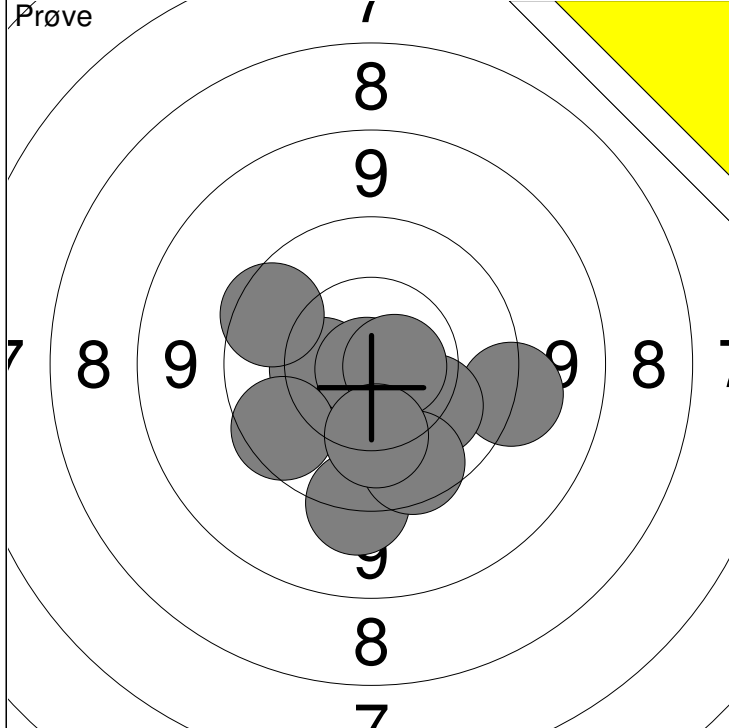
1:	9.5	↗
2:	10.0	↖
3:	10.1	→
4:	10.0	↗
5:	9.9	→
6:	10.2	↑
Serie		58
Total		0



1:	10.5	↘
2:	9.5	↗
3:	8.8	↗
4:	10.2	↗
5:	9.3	↑
6:	9.7	→
7:	10.2	↘
8:	10.3	↑
9:	10.0	↖
10:	9.7	↓
Serie		94
Total		94

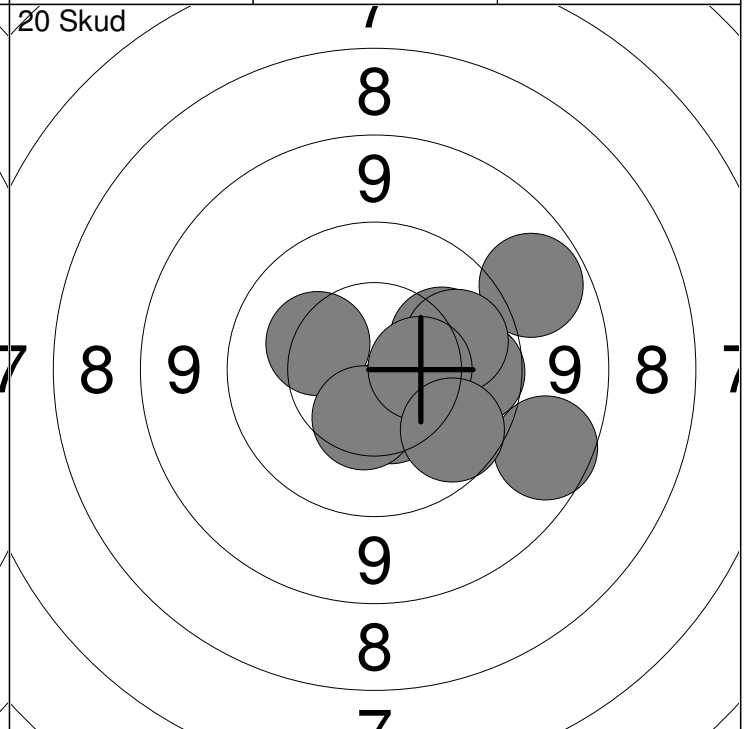
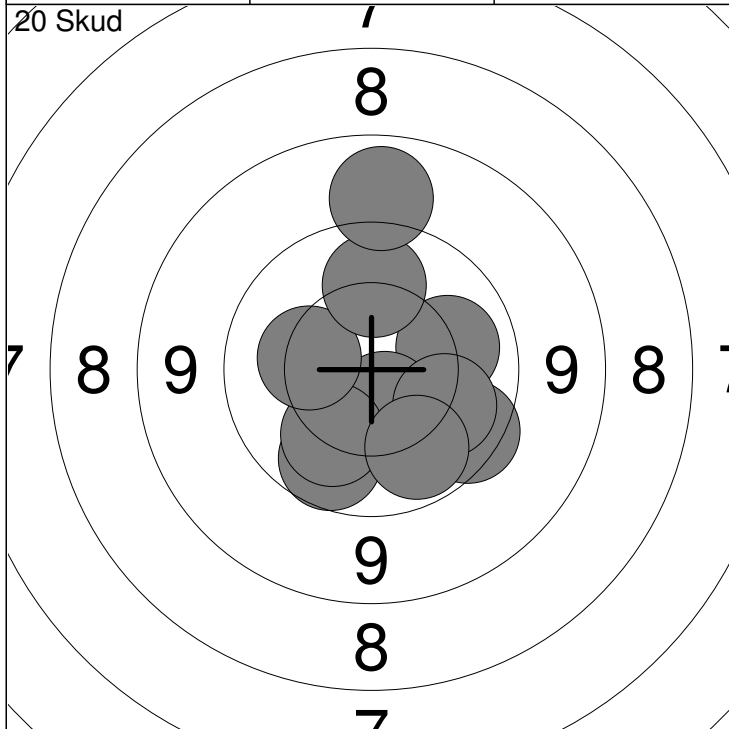


11:	9.8	↑
12:	9.9	→
13:	9.7	↗
14:	9.5	↖
15:	10.2	↘
16:	9.6	↘
17:	10.0	↘
18:	8.1	↗
19:	9.7	↖
20:	9.7	↗
Serie		91
Total		185



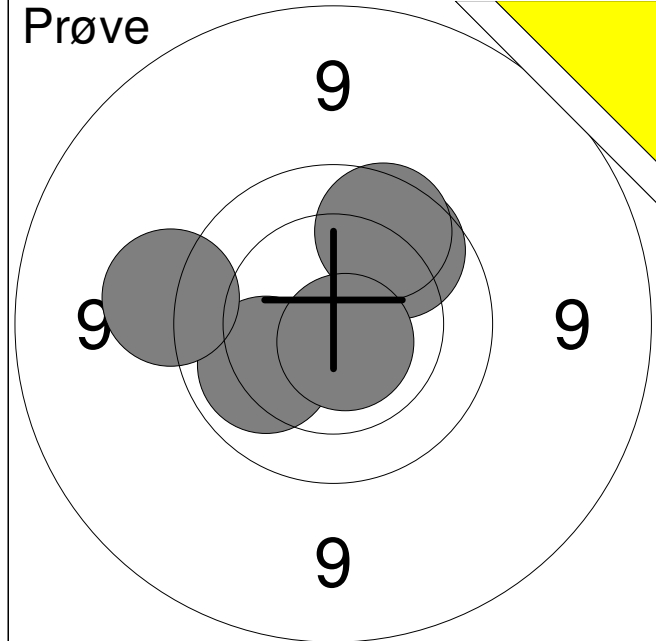
1: 9.4 →	6: 9.4 ↓	Serie 95
2: 10.2 ↘	7: 9.8 ↓	
3: 10.4 ←	8: 10.7x →	Total 0
4: 10.9x ↙	9: 10.2 ↓	
5: 9.8 ↙	10: 9.8 ←	

11: 10.3 ↑	16: 9.8 →	Serie 86
12: 9.5 ↓	17: 10.6 →	
13: 10.4 ↙	18: 10.1 ↑	Total 0
14: 9.9 ↓	19: 10.5 →	
15: 9.9 →		

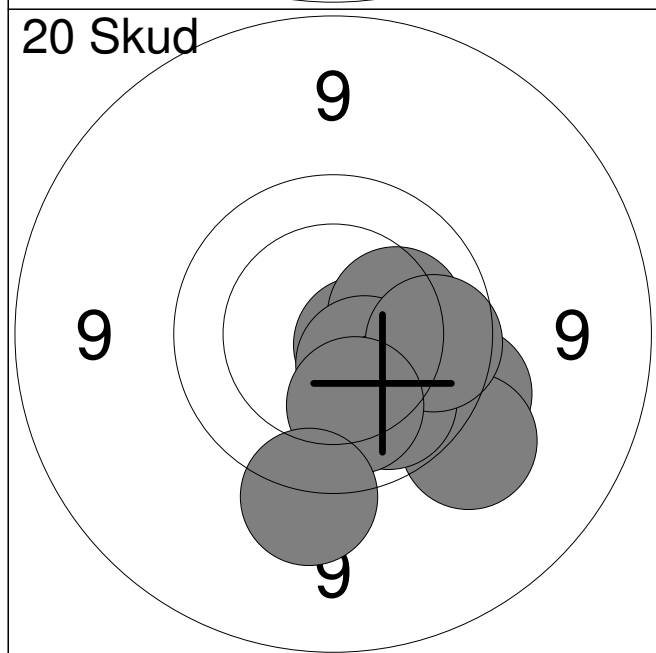


1: 10.1 →	6: 10.2 ↙	Serie 97
2: 9.7 ↘	7: 10.0 ↓	
3: 10.6 ↙	8: 10.3 ←	Total 97
4: 10.1 →	9: 10.1 ↑	
5: 9.9 ↙	10: 9.1 ↑	

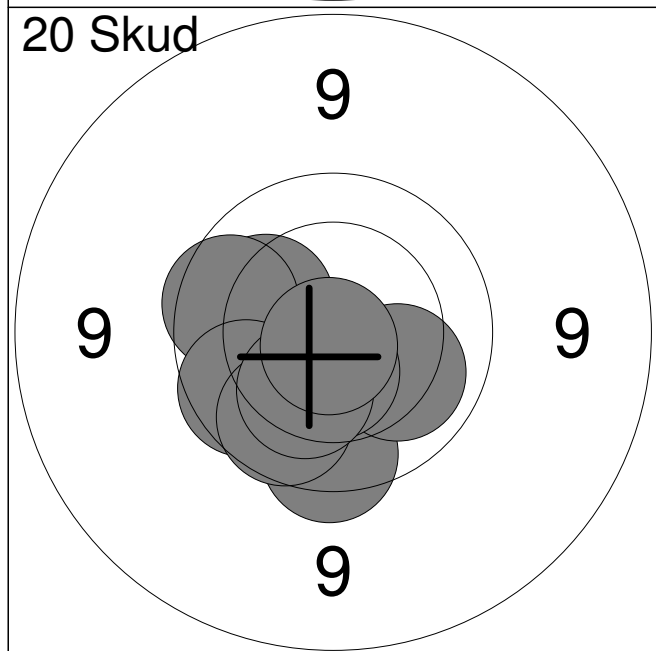
11: 9.9 →	16: 10.0 →	Serie 95
12: 10.5 ↓	17: 10.3 ←	
13: 8.9 →	18: 10.4 ↓	Total 192
14: 10.2 →	19: 10.5 →	
15: 9.0 →	20: 9.9 ↘	



1:	9.9	↗
2:	9.9	↗
3:	10.1	↖
4:	9.5	↖
5:	10.7x	↘
Serie		47
Total		0

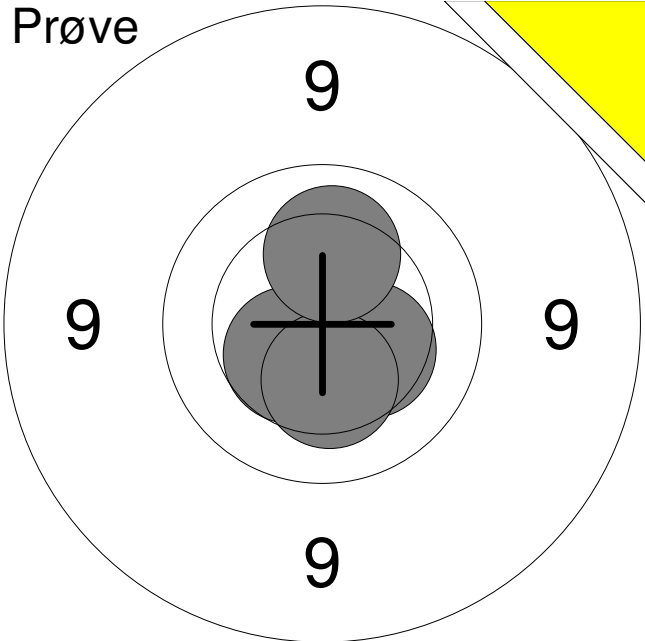


1:	10.3	↘
2:	10.6x	↘
3:	9.6	↘
4:	9.4	↘
5:	10.2	→
6:	10.5	↘
7:	10.0	↘
8:	9.9	→
9:	10.1	↘
10:	9.5	↘
Serie		96
Total		96



11:	9.8	↓
12:	10.1	↖
13:	10.5x	↖
14:	9.8	↖
15:	9.9	↖
16:	9.9	↘
17:	10.1	↘
18:	10.5x	↓
19:	10.2	↘
20:	10.8x	↘
Serie		96
Total		192

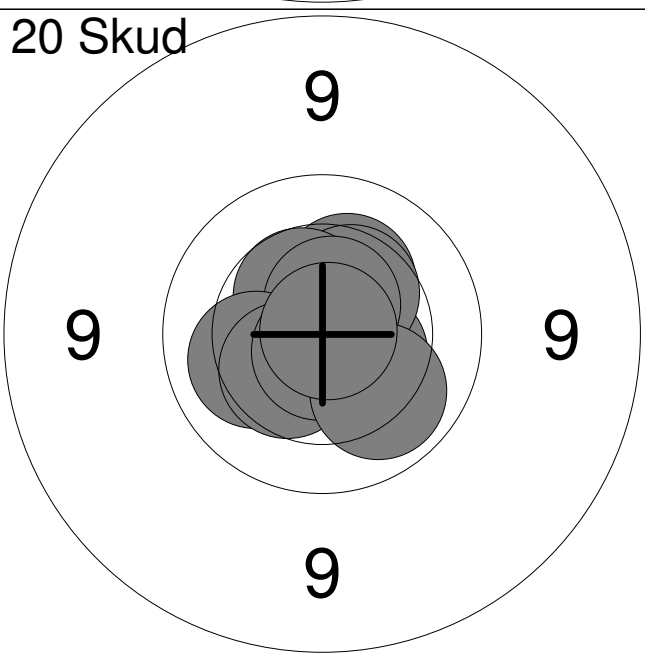
Prøve



1:	10.4	↘
2:	10.5	↙
3:	10.3	↓
4:	10.2	↑

Serie	40
Total	0

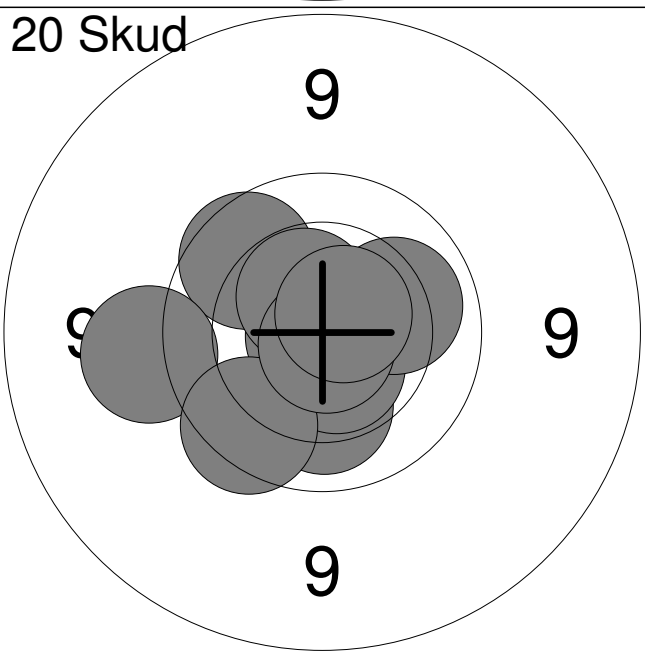
20 Skud



1:	10.3	↗
2:	10.5	↘
3:	10.4	↗
4:	10.5	↗
5:	10.6x	↑
6:	10.2	↙
7:	10.4	↙
8:	10.8x	↓
9:	10.1	↘
10:	10.9x	↗

Serie	100
Total	100

20 Skud

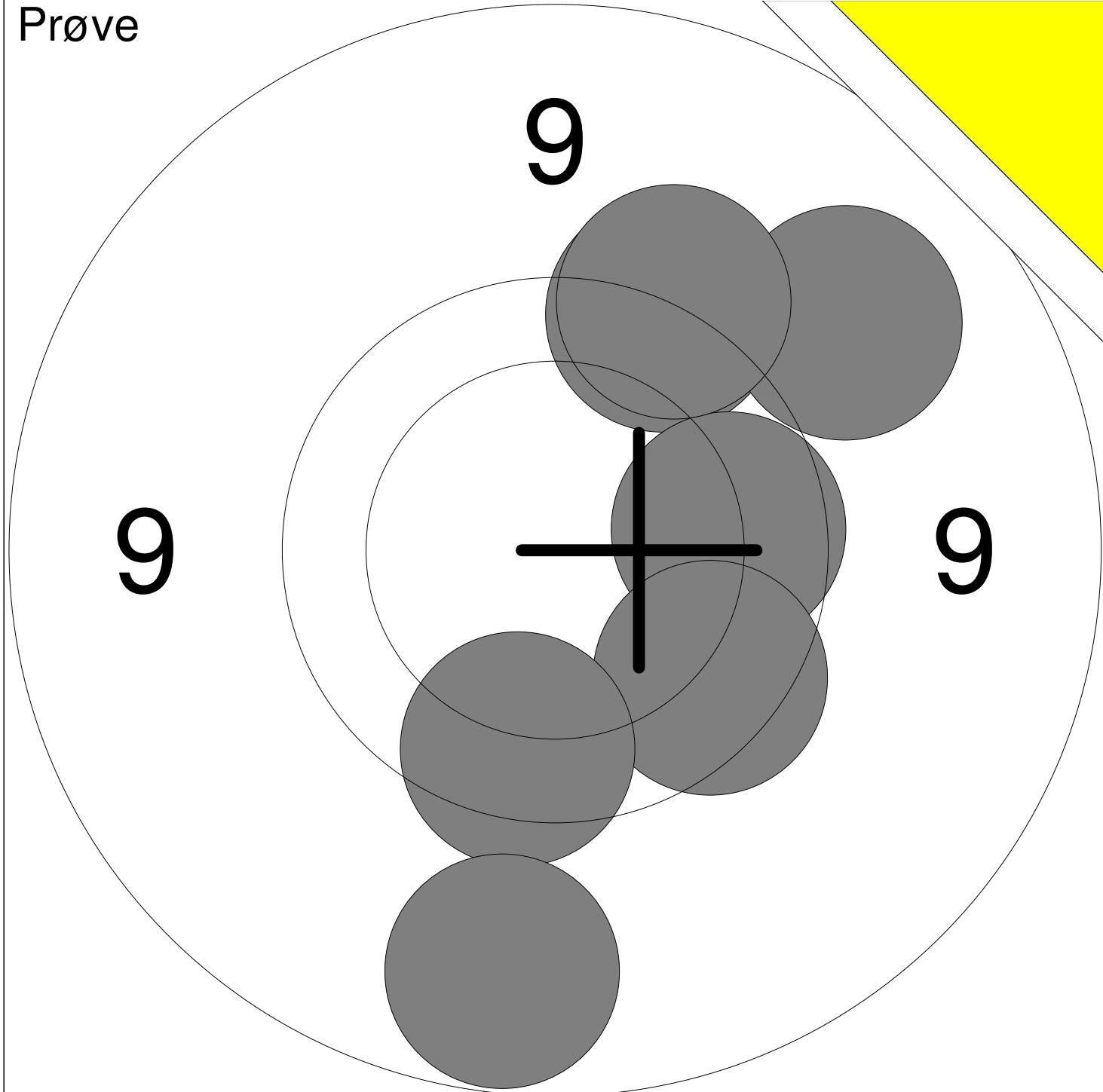


11:	10.1	↓
12:	10.8x	↙
13:	10.6x	↘
14:	9.9	↗
15:	9.4	↙
16:	9.8	↙
17:	10.1	↗
18:	10.5x	↗
19:	10.8x	↘
20:	10.6x	↗

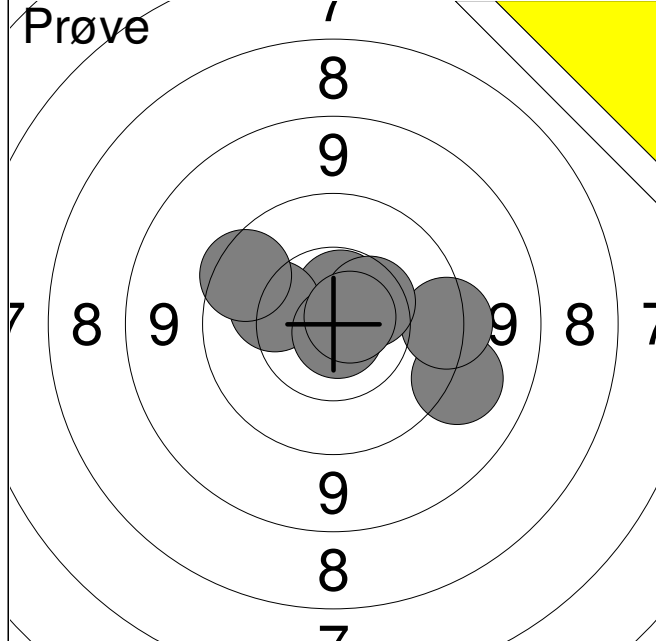
Serie	97
Total	197

Hold 29	Skive 3	Annika Andersen	
Aalborg	Frederikshavn Skyttekreds	MUÅ2	
28.10.2017	15 meter riffelstævne 2017	Aalborg Skyttekreds	

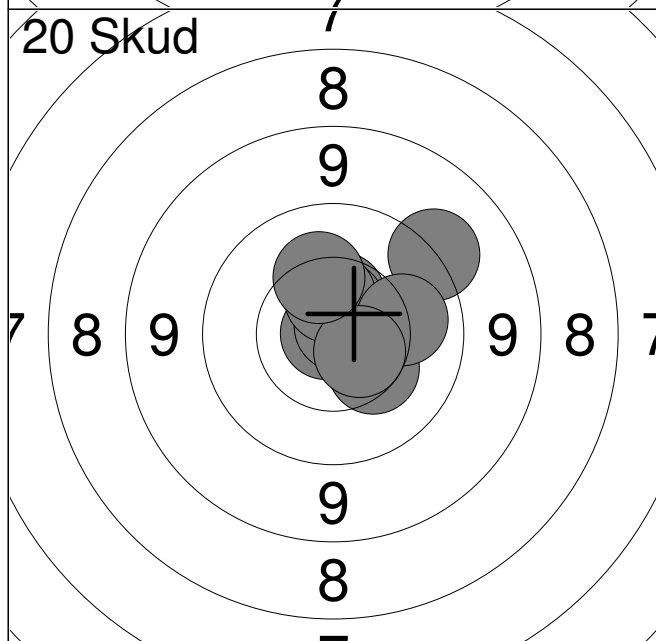
Prøve



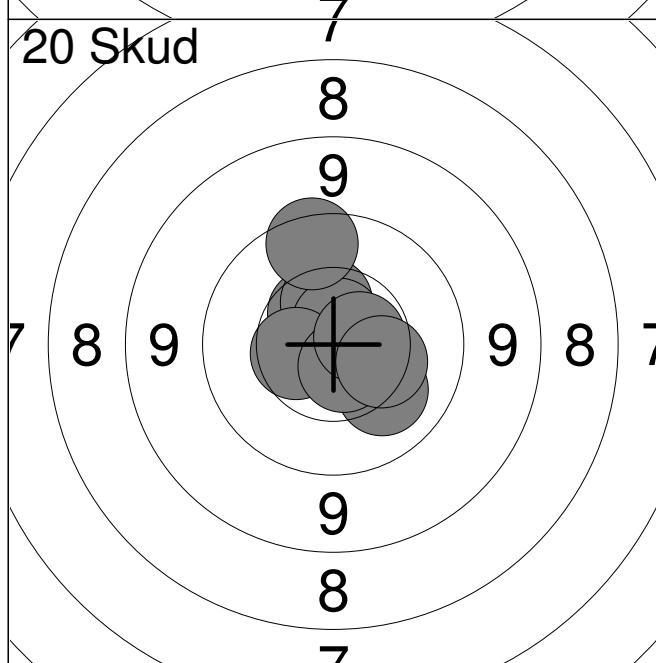
1: 9.6 ↗	6: 9.8 ↓	Serie 63
2: 9.9 →	7: 9.0 ↓	
3: 9.8 ↘		Total 0
4: 9.2 ↗		
5: 9.5 ↗		



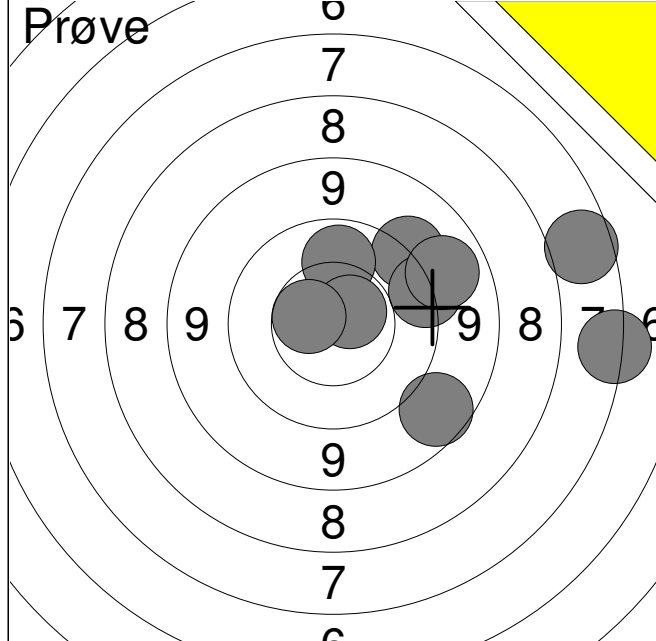
1:	9.3	↘
2:	9.6	→
3:	10.8x	↗
4:	10.6x	↑
5:	10.2	←
6:	10.4	↗
7:	9.7	↖
8:	10.8x	↘
9:	10.7x	→
Serie	87	
Total	0	



1:	10.5	↑
2:	9.4	↗
3:	10.6x	↑
4:	10.9x	←
5:	10.3	↘
6:	10.8x	↗
7:	10.5	↑
8:	10.1	→
9:	10.6	↘
10:	10.3	↑
Serie	99	
Total	99	



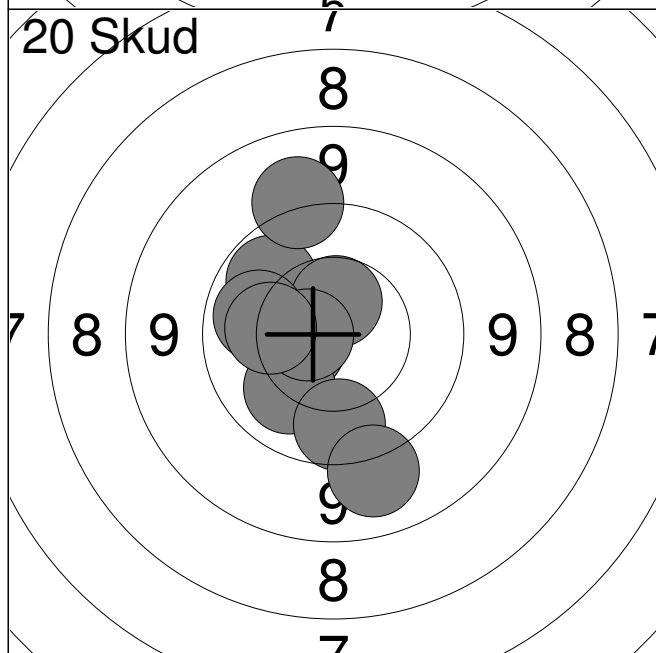
11:	10.5	↗
12:	10.5	↑
13:	10.7x	↑
14:	10.5	←
15:	10.2	↘
16:	10.7x	↘
17:	10.7x	↘
18:	9.7	↑
19:	10.6x	→
20:	10.3	↘
Serie	99	
Total	198	



1:	8.9	↘
2:	6.5	→
3:	6.8	→
4:	9.4	↗
5:	9.5	→
6:	10.0	↑
7:	10.6x	↗
8:	9.1	→
9:	10.6	←

Serie 77

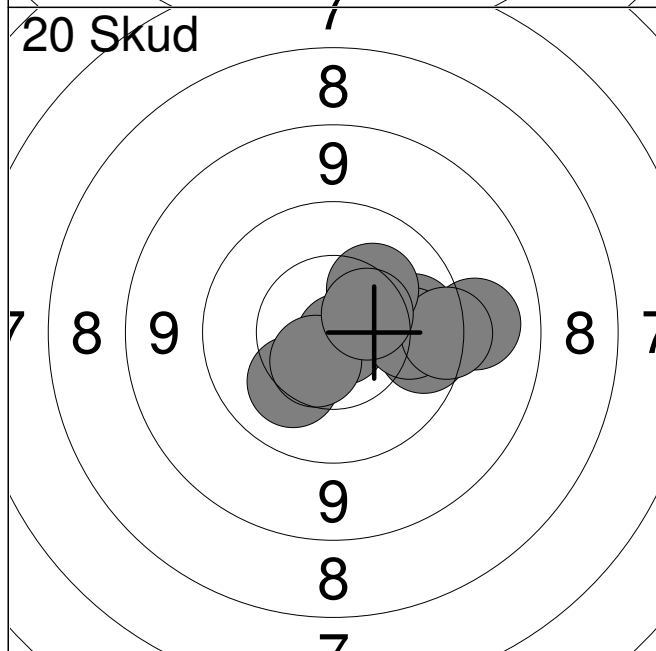
Total 0



1:	10.0	↖
2:	9.3	↑
3:	10.6	↑
4:	10.5	←
5:	10.1	←
6:	10.1	↘
7:	9.9	↓
8:	9.2	↓
9:	10.6x	←
10:	10.2	←

Serie 97

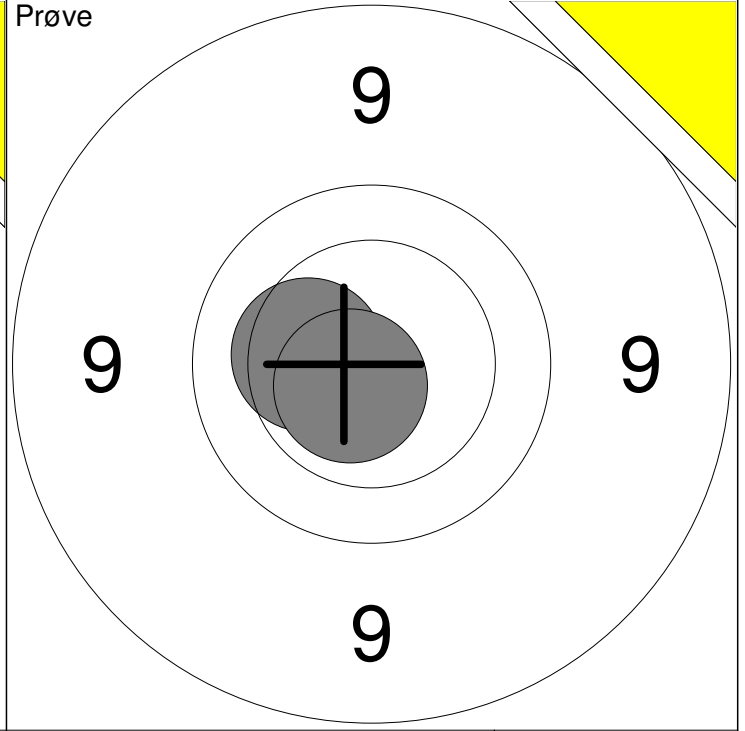
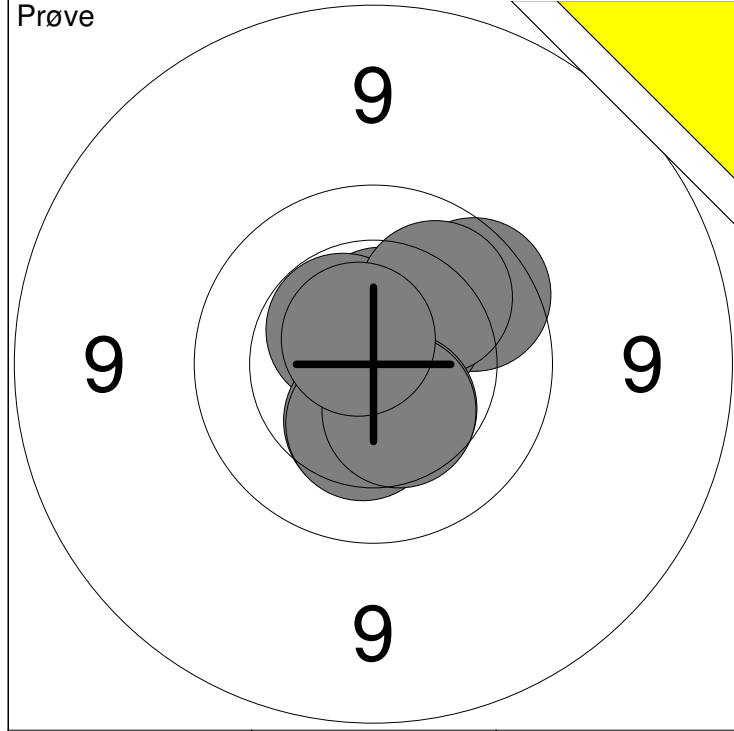
Total 97



11:	9.9	→
12:	10.2	↘
13:	10.8x	↘
14:	10.0	→
15:	10.6	↘
16:	9.2	→
17:	10.1	→
18:	9.6	→
19:	10.3	↗
20:	10.5	↗

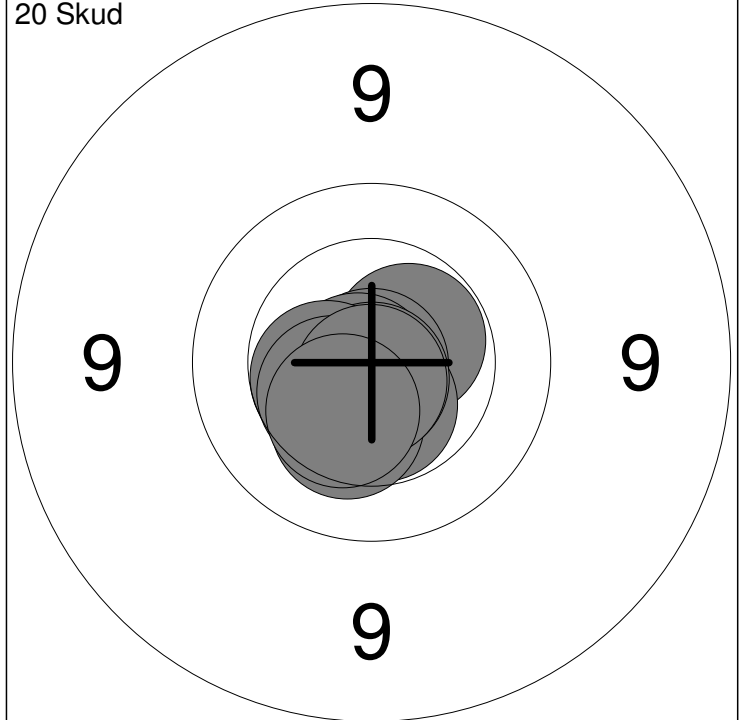
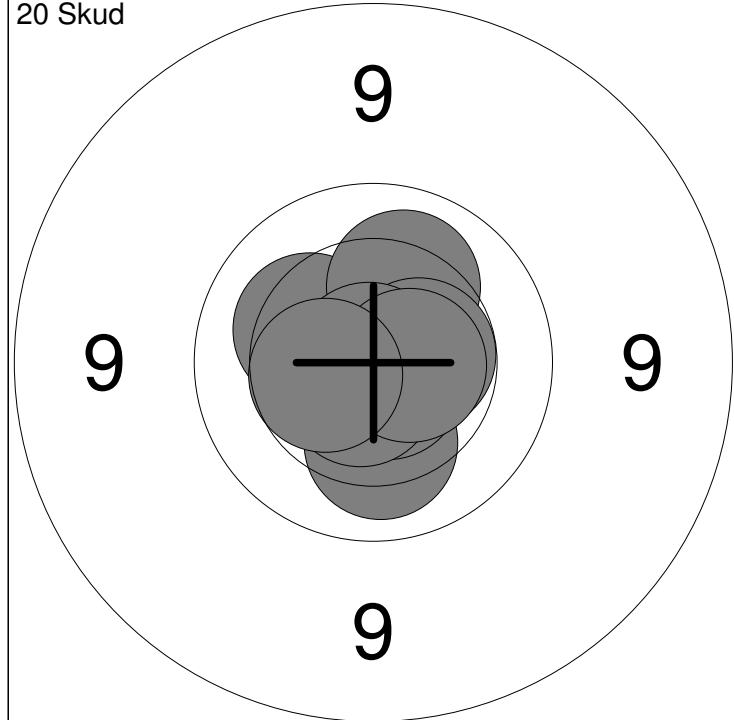
Serie 97

Total 194



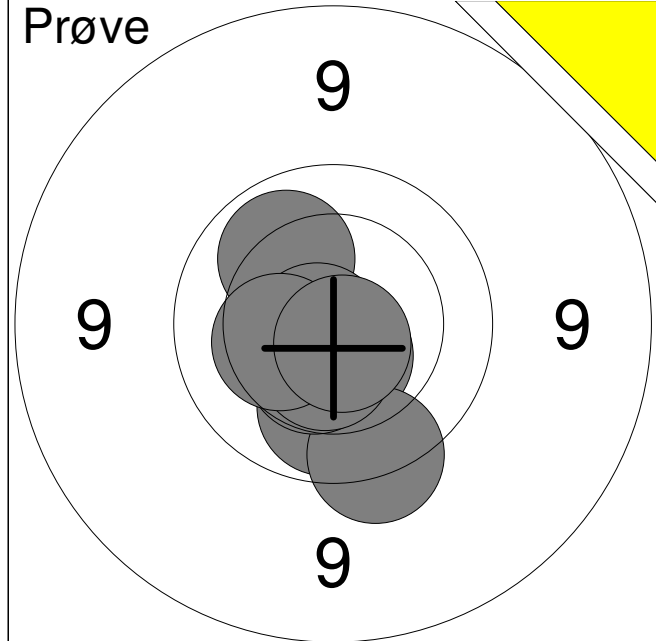
1: 10.5x ↑	6: 10.4 ↓	Serie	99
2: 9.8 ↗	7: 10.4 ↓		
3: 10.5 ↗	8: 10.4 ↓	Total	0
4: 10.5x ↖	9: 10.4 ↓		
5: 10.1 ↗	10: 10.7x ↗		

11: 10.3 ←	Serie	20
12: 10.7x ↘		
Total		0

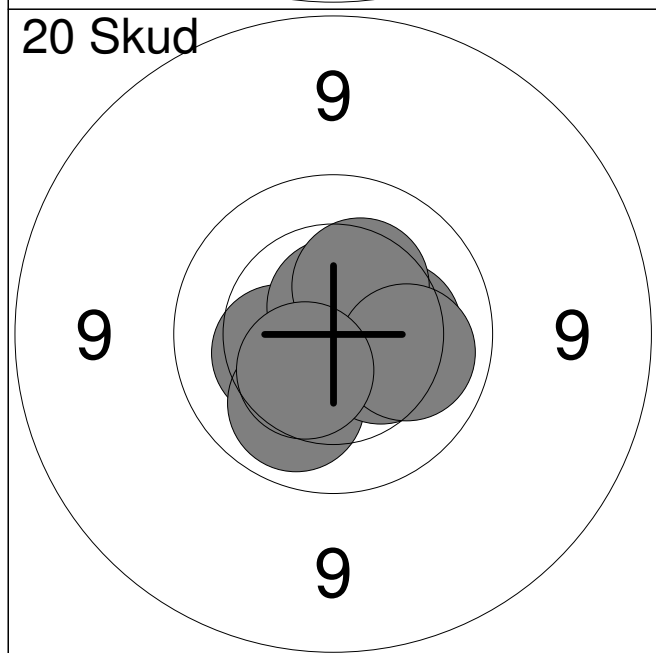


1: 10.3 ↖	6: 10.7x ↘	Serie	100
2: 10.2 ↓	7: 10.9x ↖		
3: 10.7x ←	8: 10.7x ↓	Total	100
4: 10.2 ↑	9: 10.6x →		
5: 10.5x →	10: 10.5 ←		

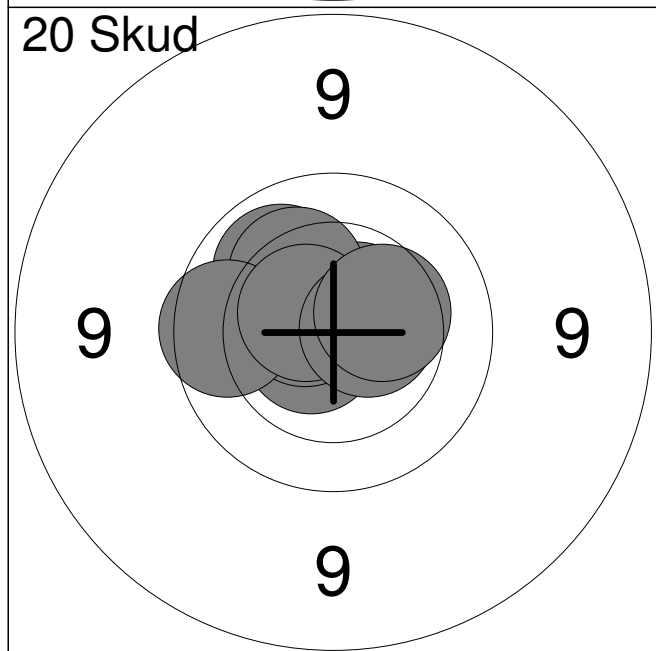
11: 10.5x ↗	16: 10.5 ←	Serie	100
12: 10.9x ↓	17: 10.5 ↙		
13: 10.5x ↓	18: 10.3 ↓	Total	200
14: 10.8x ↖	19: 10.8x ↓		
15: 10.8x ↓	20: 10.4 ↘		



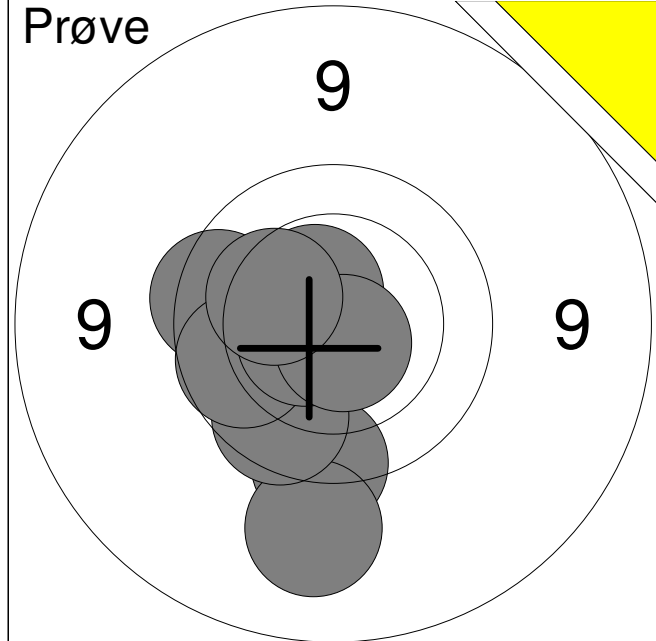
1:	10.1	↗
2:	10.8x	←
3:	10.0	↓
4:	10.6x	↓
5:	9.7	↓
6:	10.4	↓
7:	10.6x	↓
8:	10.5x	↓
9:	10.3	←
10:	10.7x	↓
Serie		99
Total		0



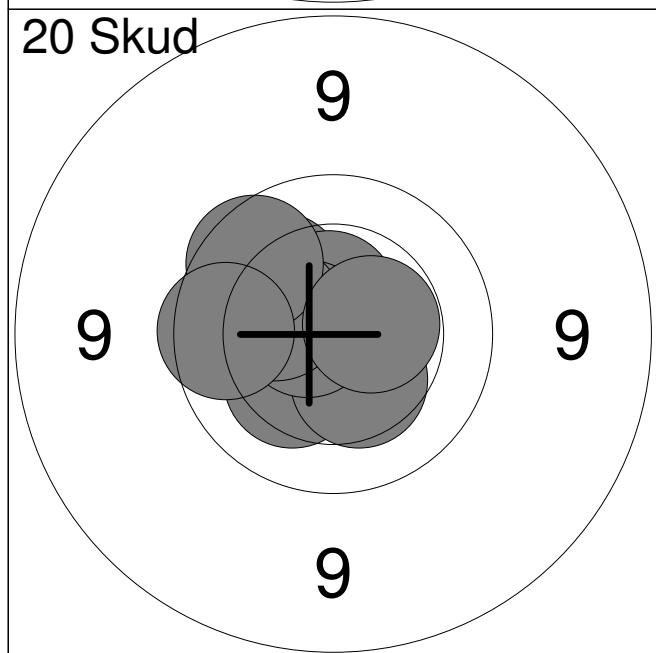
1:	10.3	←
2:	10.4	→
3:	10.1	↓
4:	10.8x	↗
5:	10.3	→
6:	10.4	→
7:	10.6x	↑
8:	10.3	↗
9:	10.1	→
10:	10.4	↓
Serie		100
Total		100



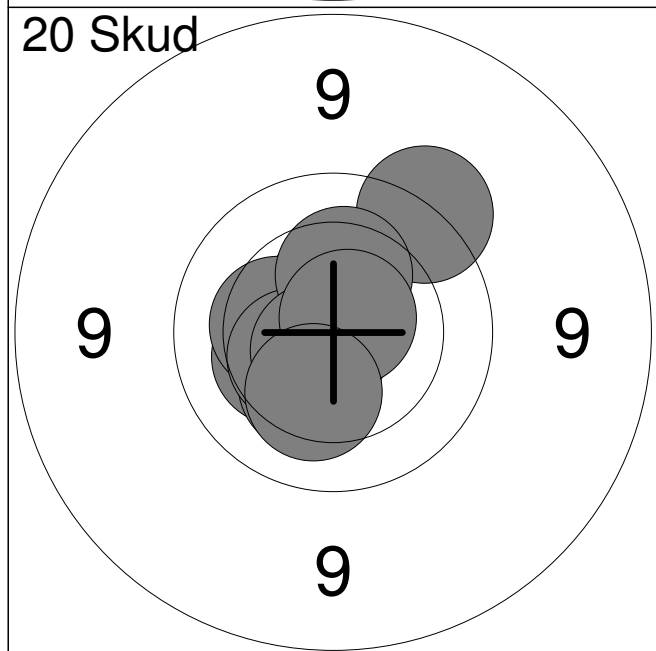
11:	10.4	↗
12:	10.6x	↗
13:	10.7x	←
14:	10.6x	↖
15:	10.1	↗
16:	10.2	↗
17:	9.9	←
18:	10.6x	↗
19:	10.6x	→
20:	10.4	↗
Serie		99
Total		199



1:	10.5x	↙
2:	9.6	↓
3:	9.2	↓
4:	9.9	↙
5:	9.8	←
6:	10.6x	↗
7:	9.9	←
8:	10.6x	←
9:	10.7x	↓
10:	10.2	↖
Serie		95
Total		0

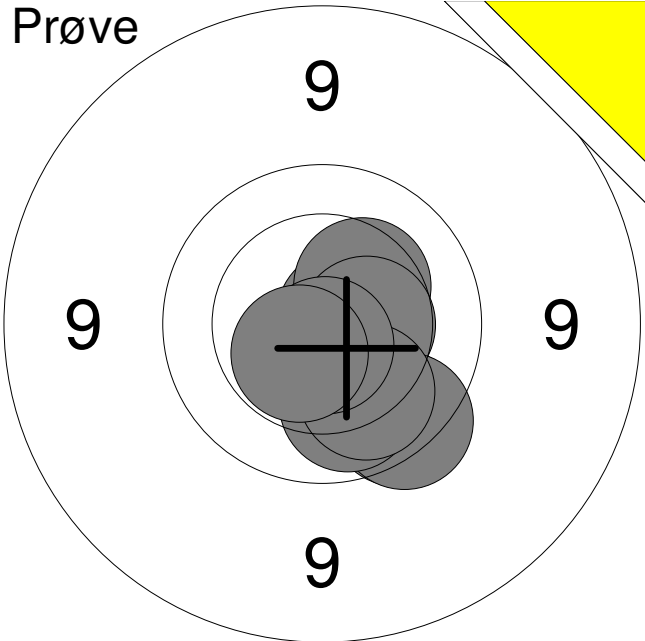


1:	10.1	↗
2:	10.7x	←
3:	10.3	↙
4:	10.4	↓
5:	10.6x	↑
6:	10.7x	←
7:	10.3	↖
8:	9.9	↗
9:	10.5x	→
10:	9.8	←
Serie		98
Total		98



11:	10.6x	↑
12:	10.3	←
13:	9.6	↗
14:	10.3	↓
15:	10.3	←
16:	10.5	↙
17:	10.3	↑
18:	10.7x	↙
19:	10.7x	↗
20:	10.3	↓
Serie		99
Total		197

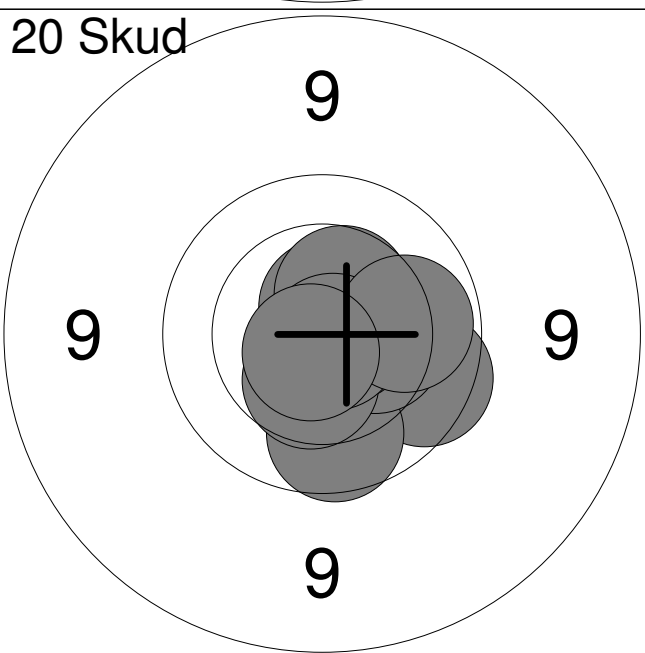
Prøve



1:	9.8	↘
2:	10.7x	→
3:	10.3	↗
4:	10.5	→
5:	9.7	↘
6:	10.0	↘
7:	10.1	↘
8:	10.7x	↘
9:	10.5x	↘

Serie	88
Total	0

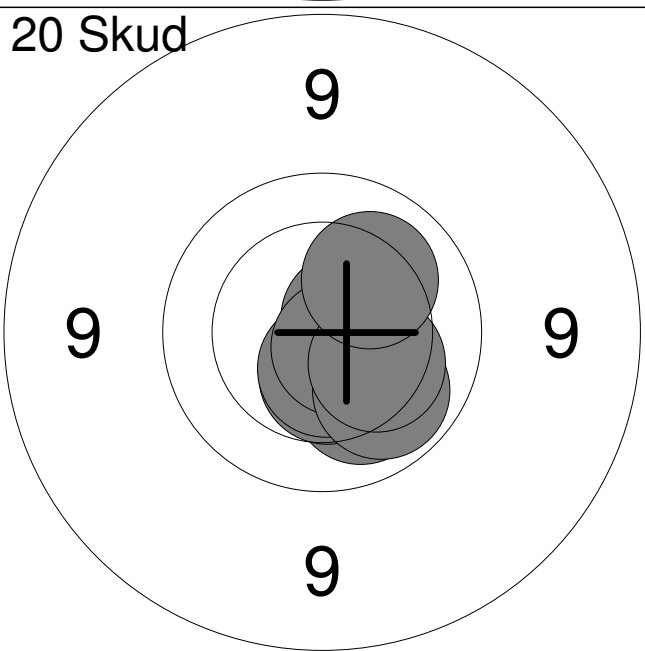
20 Skud



1:	9.8	↗
2:	9.9	↘
3:	10.4	→
4:	10.7x	→
5:	10.6x	↑
6:	10.5	↗
7:	10.4	↘
8:	10.8x	↘
9:	10.0	→
10:	10.7x	↘

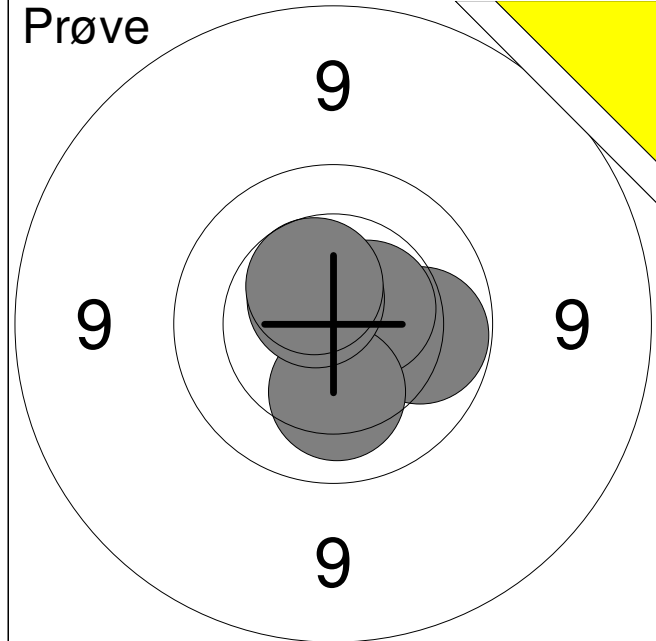
Serie	98
Total	98

20 Skud

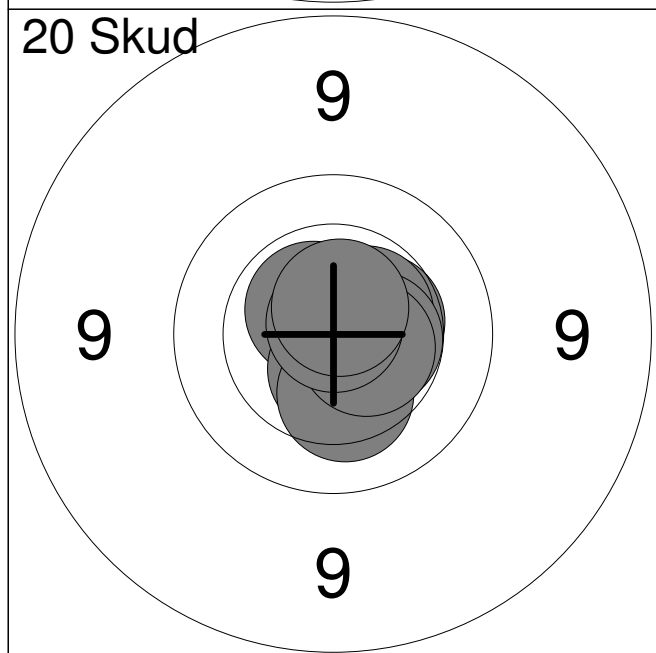


11:	10.6x	↗
12:	10.6x	↗
13:	10.1	↘
14:	10.6x	↘
15:	10.5	↘
16:	10.5x	↘
17:	10.7x	↘
18:	10.0	↘
19:	10.3	↘
20:	10.2	↗

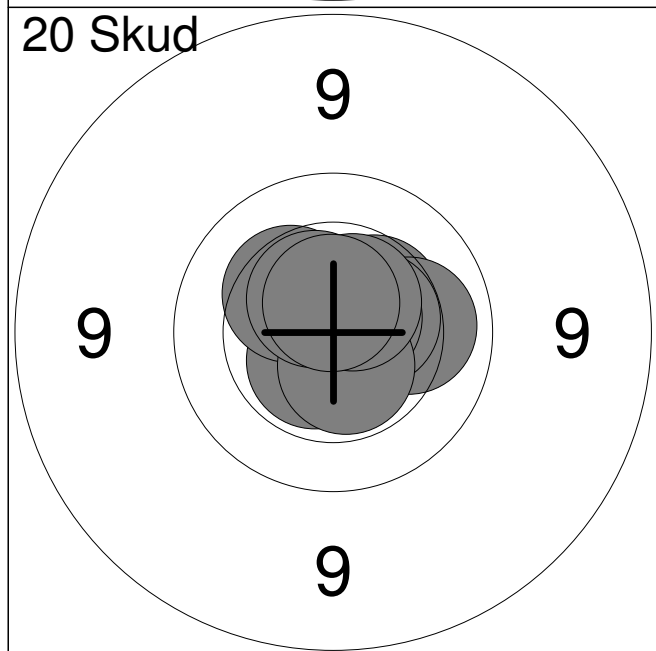
Serie	100
Total	198



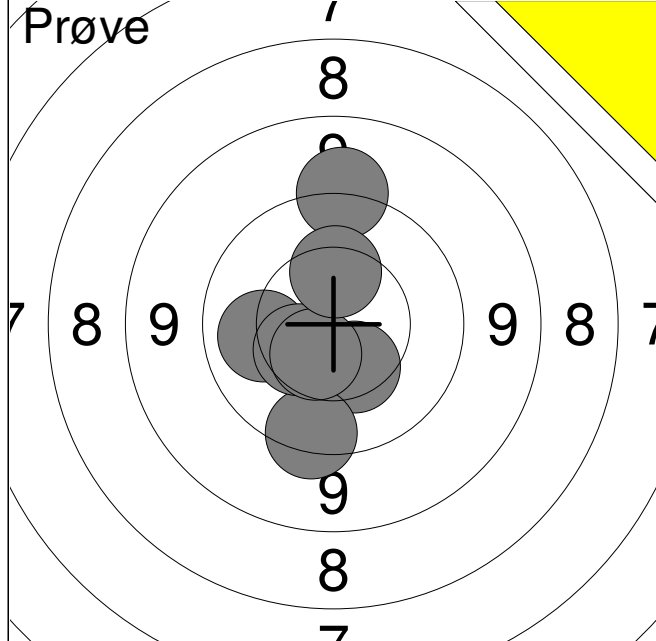
1:	10.0	→
2:	10.5x	↗
3:	10.2	↓
4:	10.6x	↖
5:	10.5	↖
Serie		50
Total		0



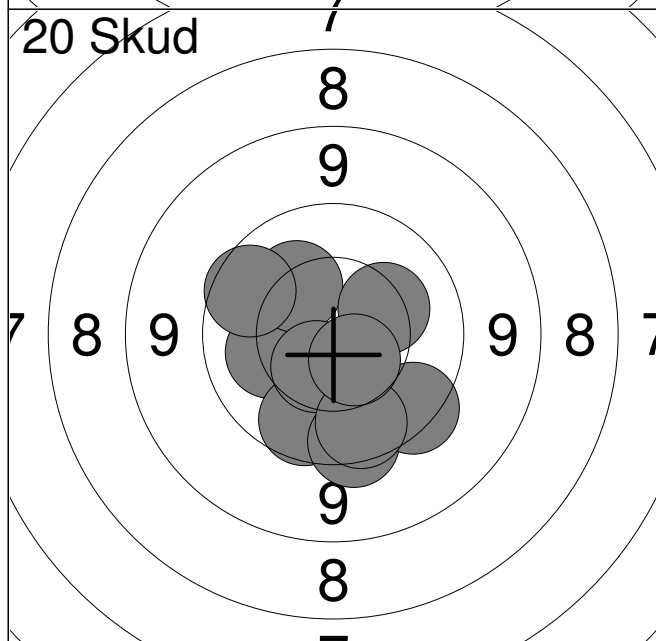
1:	10.6x	↖
2:	10.6x	→
3:	10.6x	↓
4:	10.3	↓
5:	10.5	↗
6:	10.5x	↖
7:	10.5x	→
8:	10.5x	↗
9:	10.8x	↑
10:	10.7x	↑
Serie		100
Total		100



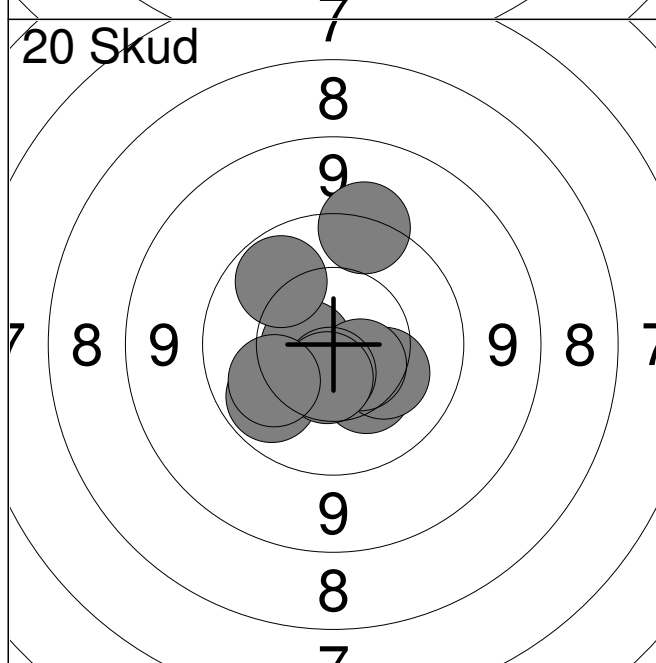
11:	10.4	↖
12:	10.6x	↓
13:	10.1	→
14:	10.5x	↗
15:	10.3	↖
16:	10.7x	↖
17:	10.6x	↓
18:	10.5x	↖
19:	10.5x	↖
20:	10.6x	↑
Serie		100
Total		200



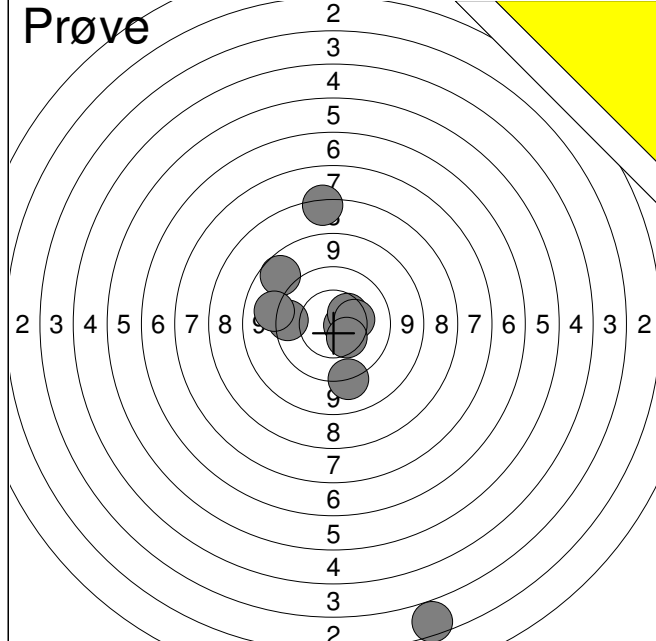
1:	10.4	↓
2:	10.1	←
3:	9.6	↓
4:	10.5	←
5:	9.3	↑
6:	10.5	↓
7:	10.3	↑
Serie		68
Total		0



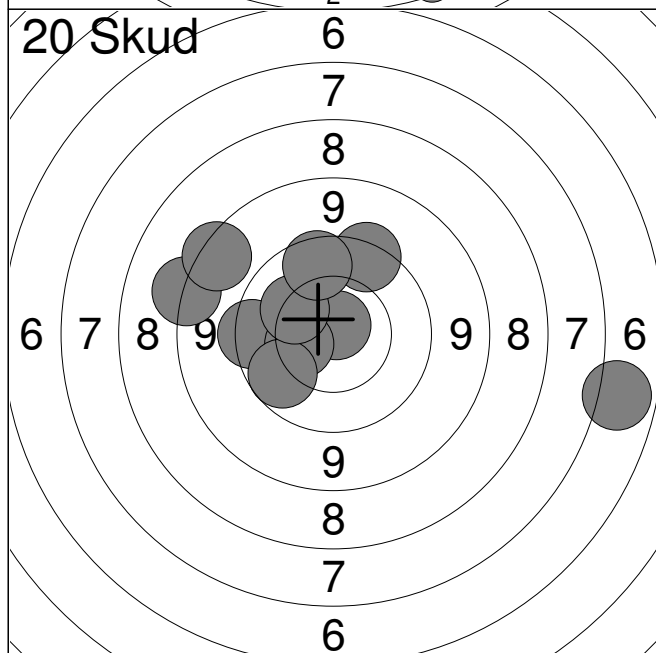
1:	10.2	←
2:	9.9	↓
3:	10.2	↗
4:	10.3	↗
5:	9.8	↖
6:	9.6	↓
7:	10.5	↓
8:	9.6	↓
9:	9.8	↓
10:	10.6	↓
Serie		95
Total		95



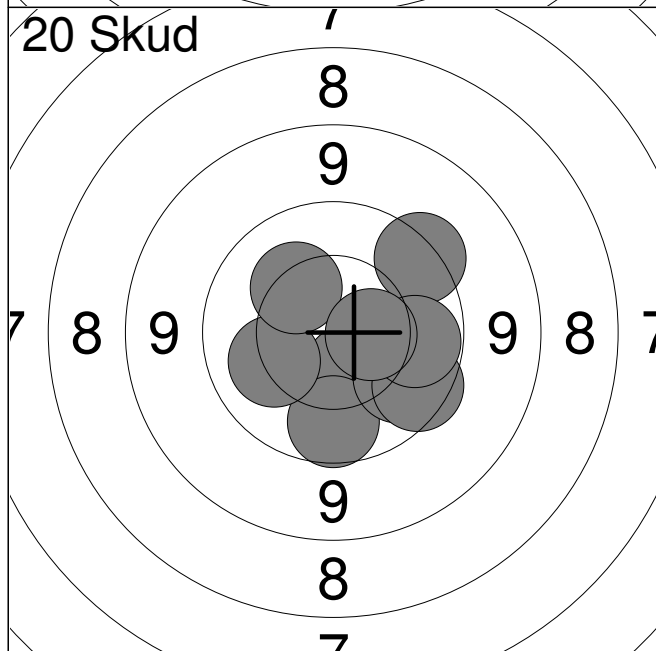
11:	10.6x	←
12:	10.3	↓
13:	10.3	↓
14:	10.6	↓
15:	10.6x	↓
16:	10.0	←
17:	10.0	↗
18:	9.5	↑
19:	10.5	↓
20:	10.1	←
Serie		99
Total		194



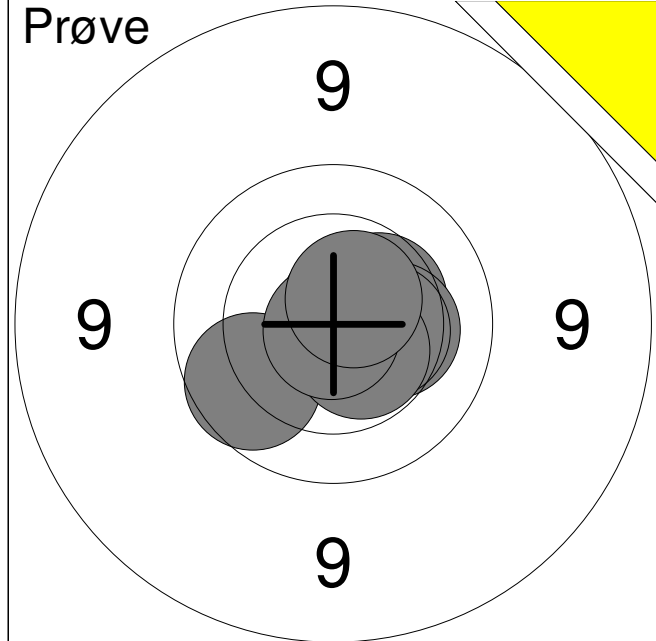
1:	1.7	↓
2:	7.5	↑
3:	8.9	↗
4:	10.7x	→
5:	10.5	↗
6:	9.7	←
7:	10.4	→
8:	9.4	↓
9:	9.3	←
10:	10.4	↓
Serie		83
Total		0



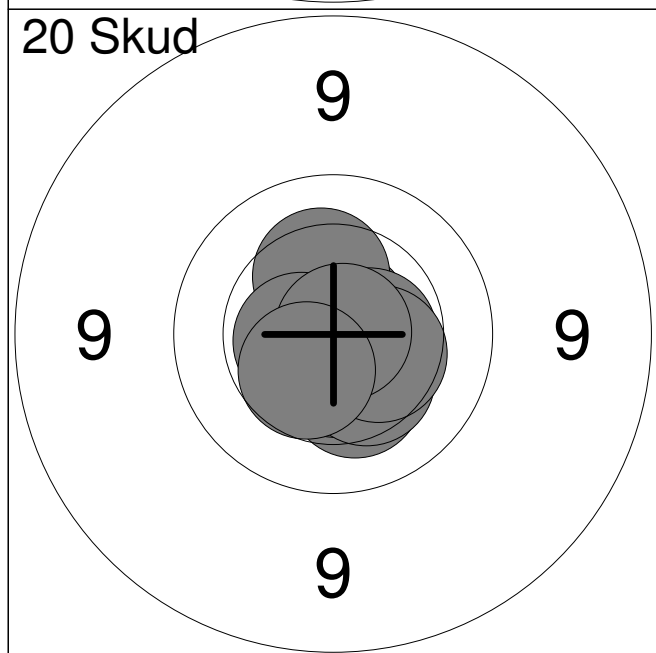
1:	8.4	←
2:	10.8x	↑
3:	9.7	←
4:	9.6	↑
5:	10.4	←
6:	9.9	↙
7:	6.0	→
8:	10.2	↗
9:	9.8	↑
10:	8.6	↗
Serie		88
Total		88



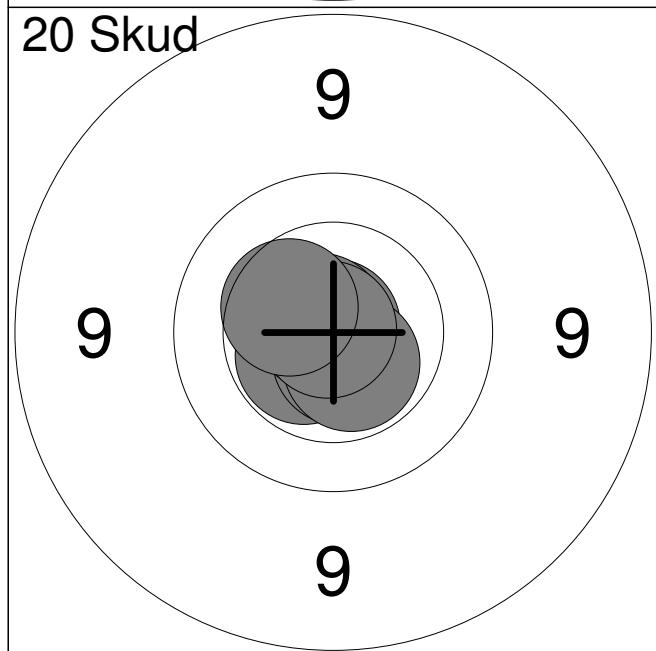
11:	10.5	↓
12:	9.6	↗
13:	9.9	↓
14:	10.2	←
15:	10.1	↘
16:	10.3	↗
17:	10.0	↓
18:	9.8	↓
19:	10.0	→
20:	10.5	→
Serie		97
Total		185



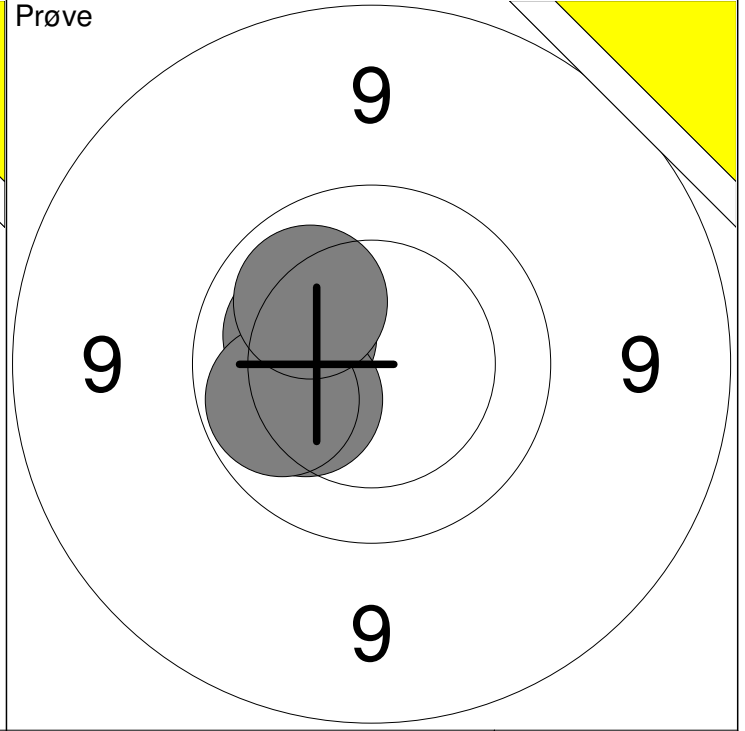
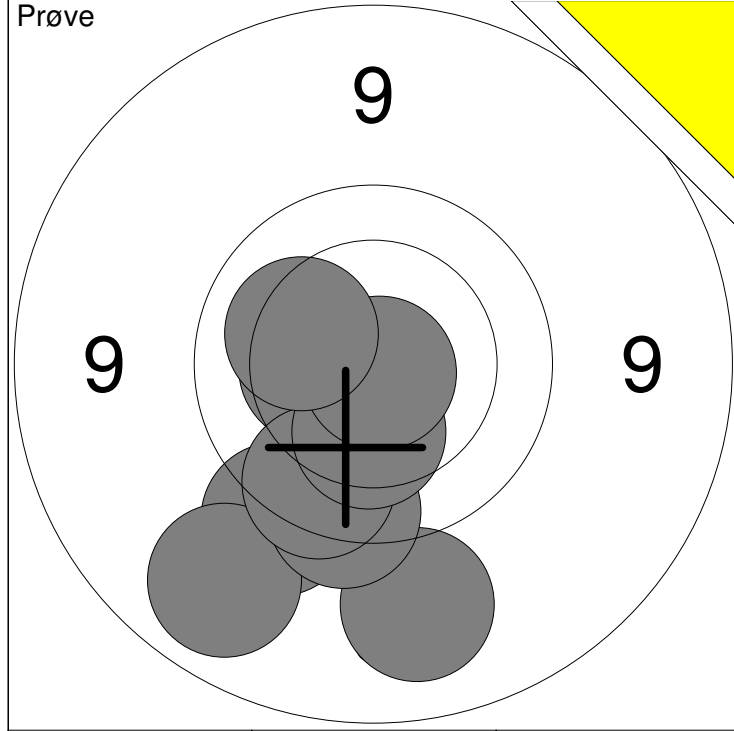
1:	9.9	↙
2:	10.4	→
3:	10.6x	↘
4:	10.3	→
5:	10.7x	↗
6:	10.4	→
7:	10.5x	↘
8:	10.9x	↓
9:	10.6x	↗
Serie		89
Total		0



1:	10.7x	↗
2:	10.3	↑
3:	10.6x	→
4:	10.3	↘
5:	10.6x	↓
6:	10.3	↘
7:	10.4	→
8:	10.6x	←
9:	10.8x	→
10:	10.5	↘
Serie		100
Total		100

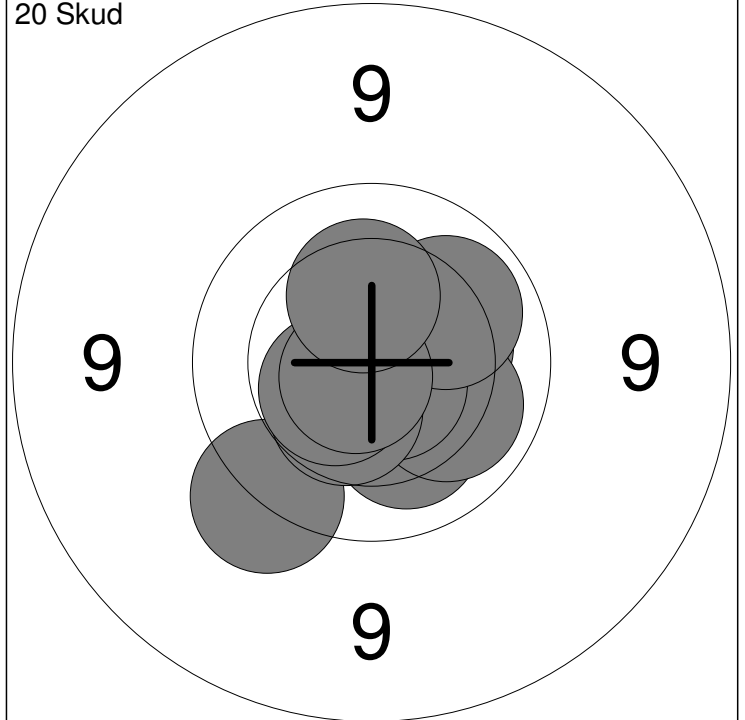
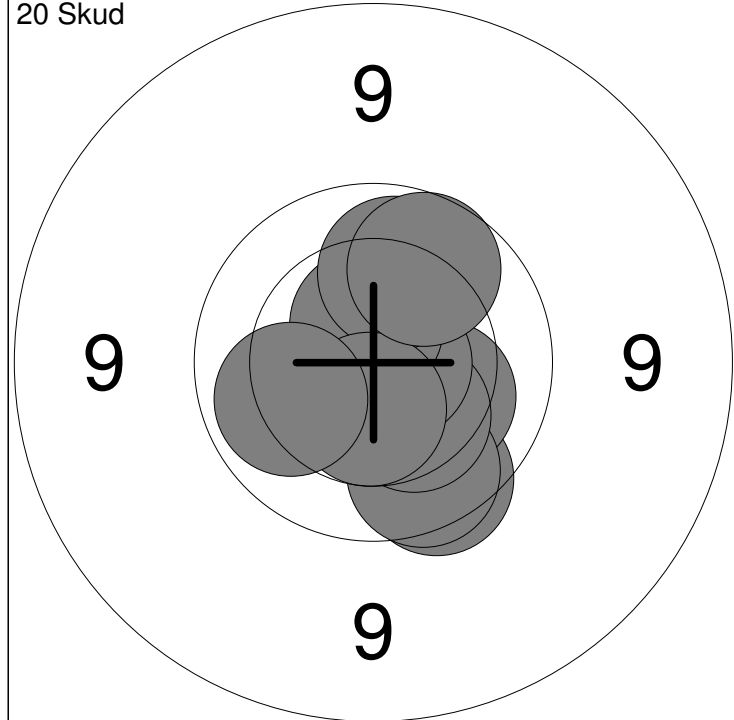


11:	10.7x	←
12:	10.6x	←
13:	10.8x	←
14:	10.9x	↗
15:	10.5x	↙
16:	10.7x	↘
17:	10.8x	↗
18:	10.6x	↘
19:	10.9x	↗
20:	10.4	↗
Serie		100
Total		200



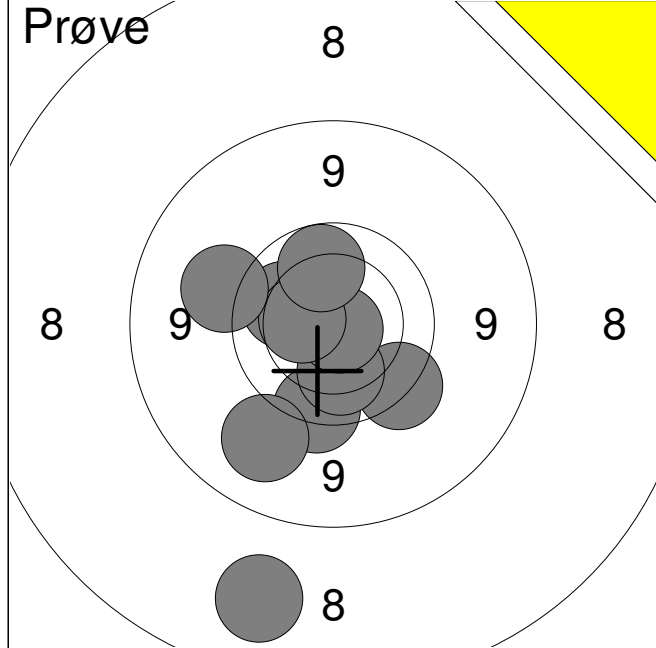
1: 9.8 ↘	6: 9.7 ↘	Serie	94
2: 9.2 ↘	7: 9.8 ↘		
3: 9.5 ↘	8: 10.3 ↘	Total	0
4: 9.1 ↘	9: 10.8x ↘		
5: 10.4 ←	10: 10.2 ←		

11: 10.2 ↖	Serie	40
12: 10.2 ↖		
13: 10.0 ↖	Total	0
14: 10.1 ↖		

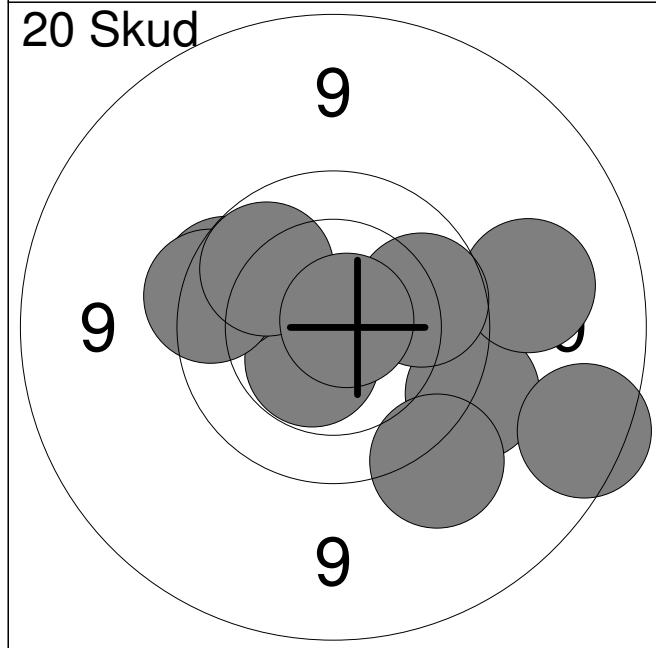


1: 9.8 ↘	6: 10.6x ↑	Serie	97
2: 10.2 ↘	7: 10.1 ↑		
3: 9.9 ↘	8: 10.5x ↘	Total	97
4: 10.3 ↘	9: 10.1 ←		
5: 10.7x →	10: 9.9 ↗		

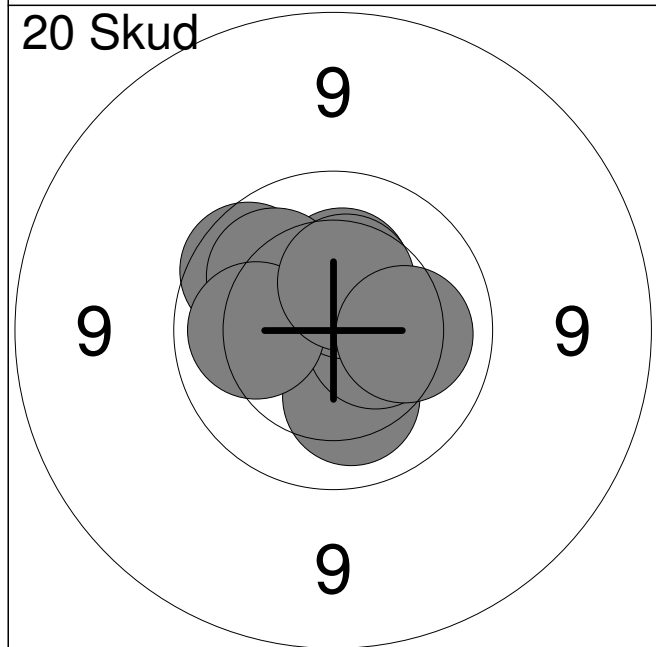
11: 9.6 ↘	16: 10.4 ↘	Serie	99
12: 10.3 →	17: 10.5x ↘		
13: 10.2 ↘	18: 10.1 ↗	Total	196
14: 10.1 ↘	19: 10.7x ↘		
15: 10.7x ↘	20: 10.3 ↑		



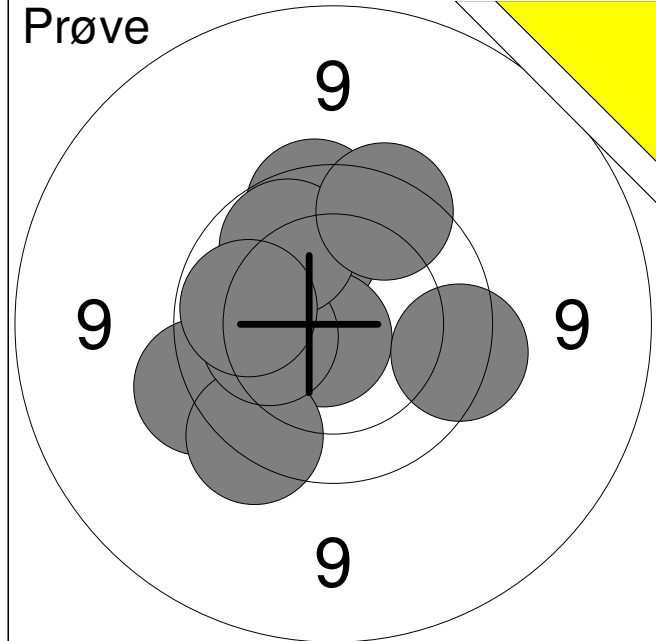
1:	8.2	↓
2:	9.7	↓
3:	9.2	↘
4:	9.6	↘
5:	10.1	↓
6:	10.1	↖
7:	10.8x	↘
8:	10.4	↖
9:	9.4	↖
10:	10.0	↑
Serie	94	
Total	0	



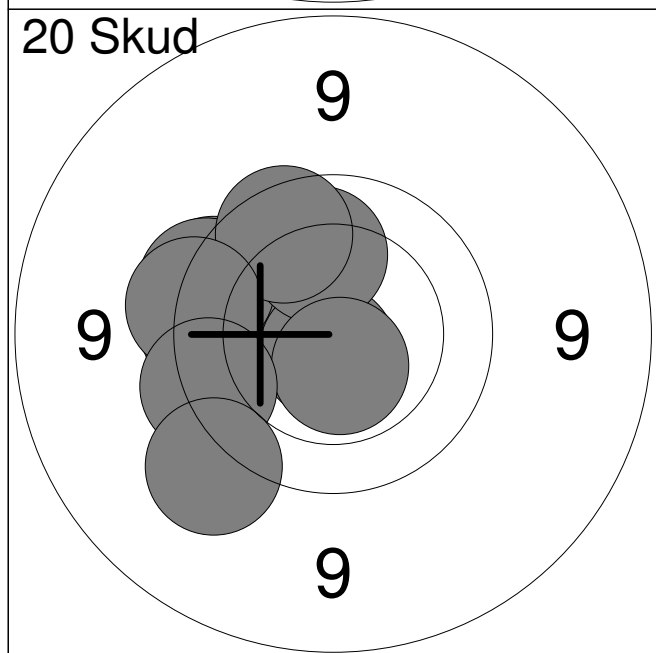
1:	10.5x	↘
2:	9.5	↘
3:	9.8	↖
4:	9.7	↖
5:	9.2	→
6:	9.9	→
7:	10.0	↗
8:	9.4	↘
9:	8.8	↘
10:	10.8x	↗
Serie	92	
Total	92	



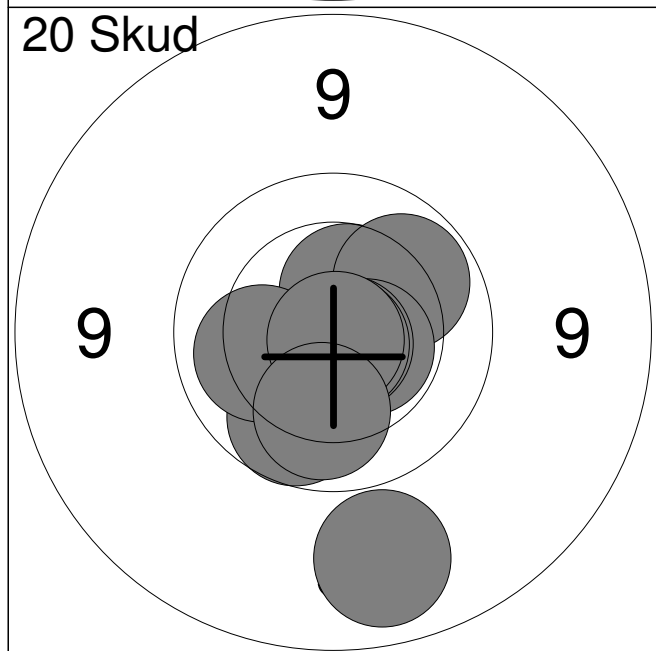
11:	10.2	↓
12:	10.4	↑
13:	10.5	→
14:	10.5	↑
15:	10.3	↗
16:	9.9	↗
17:	10.1	↗
18:	10.1	↖
19:	10.4	↑
20:	10.2	→
Serie	99	
Total	191	



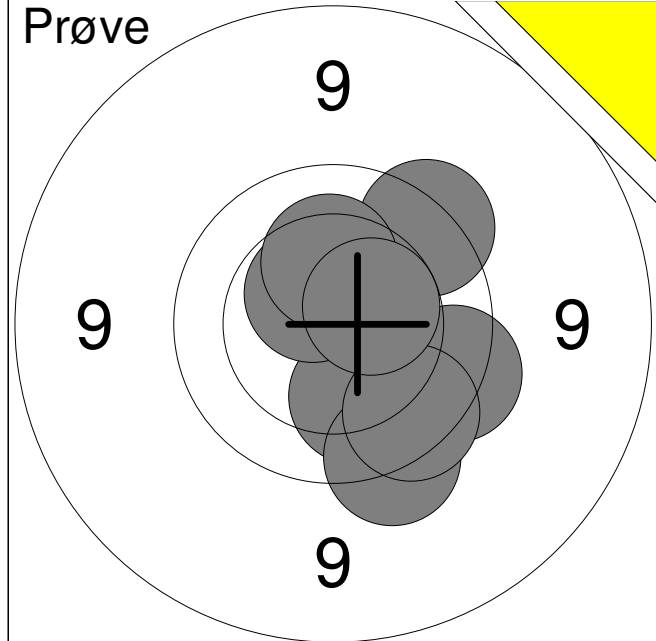
1:	10.1	↑
2:	9.6	←
3:	9.8	↑
4:	10.8x	↓
5:	9.7	↓
6:	9.7	→
7:	10.2	←
8:	10.0	↑
9:	10.0	←
10:	9.7	↑
Serie	95	
Total	0	



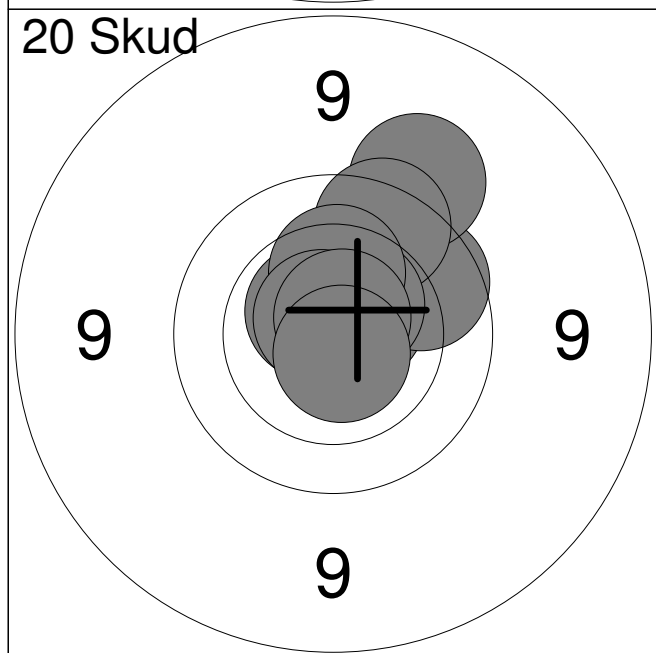
1:	9.7	←
2:	9.7	←
3:	10.8x	↓
4:	9.7	←
5:	10.1	↑
6:	9.8	↑
7:	9.6	←
8:	10.6x	↓
9:	9.7	←
10:	9.4	↓
Serie	93	
Total	93	



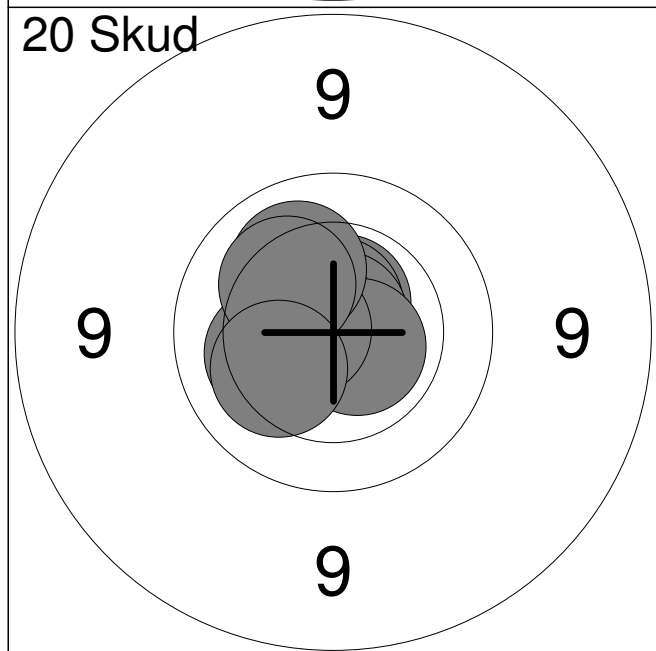
11:	10.5	↑
12:	9.1	↓
13:	9.9	↓
14:	10.0	↗
15:	10.6x	→
16:	10.8x	↓
17:	10.1	←
18:	10.8x	↓
19:	10.9x	↓
20:	10.1	↓
Serie	98	
Total	191	



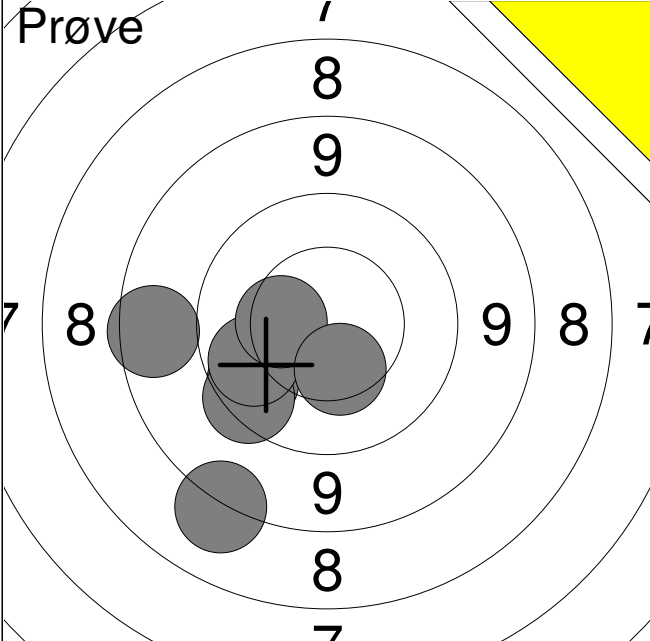
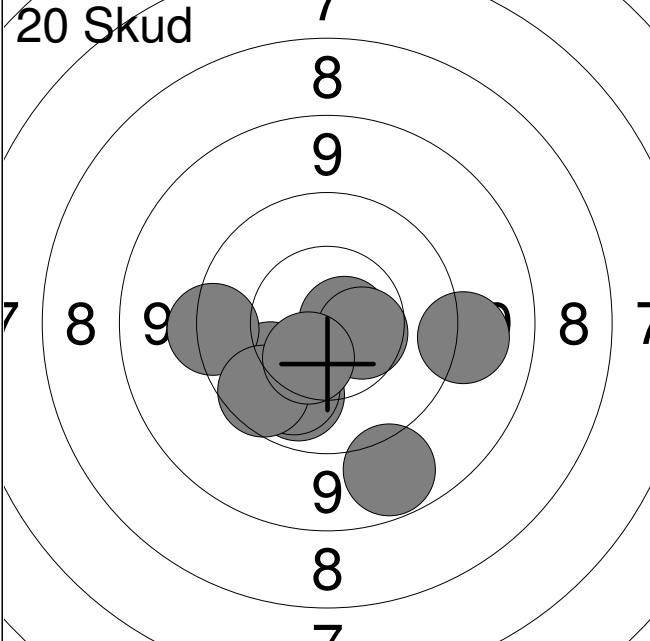
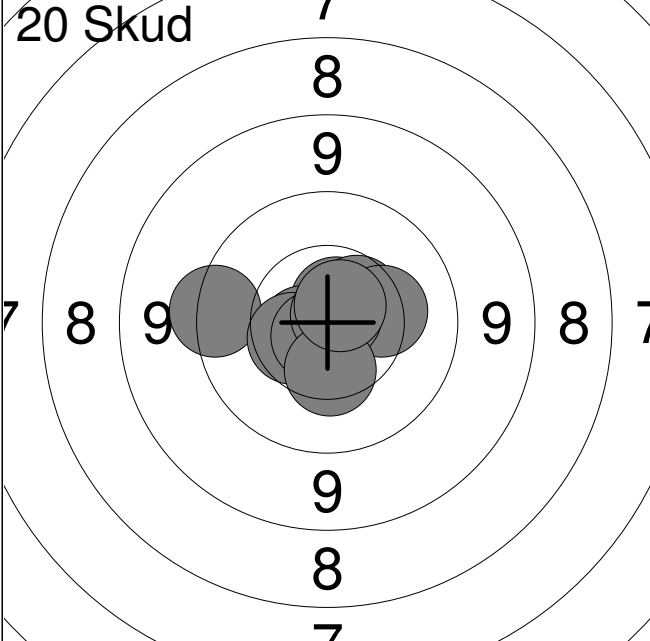
1:	10.1	↓
2:	9.6	↓
3:	9.7	↘
4:	10.5x	↗
5:	9.8	↓
6:	9.7	↗
7:	10.3	↑
8:	10.5x	↗
Serie		76
Total		0

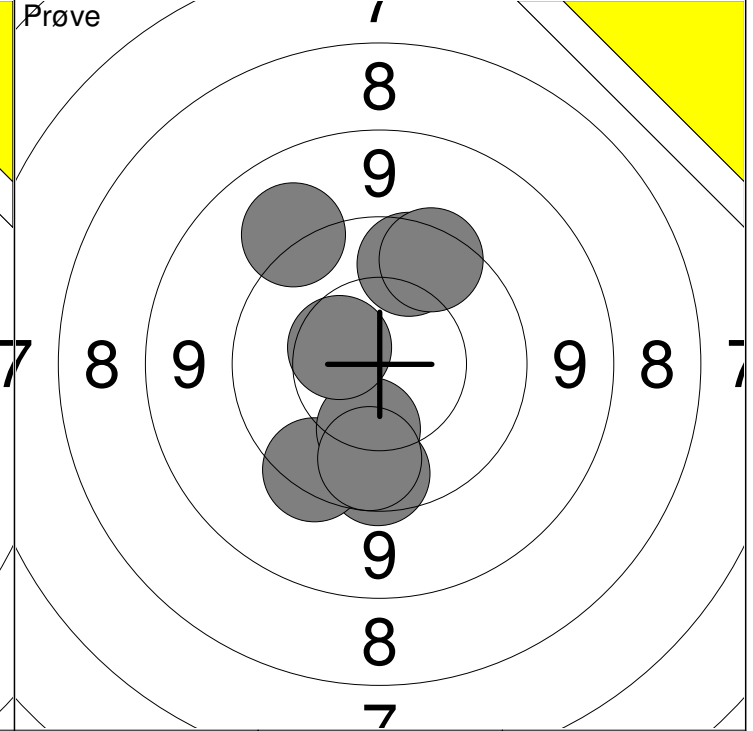
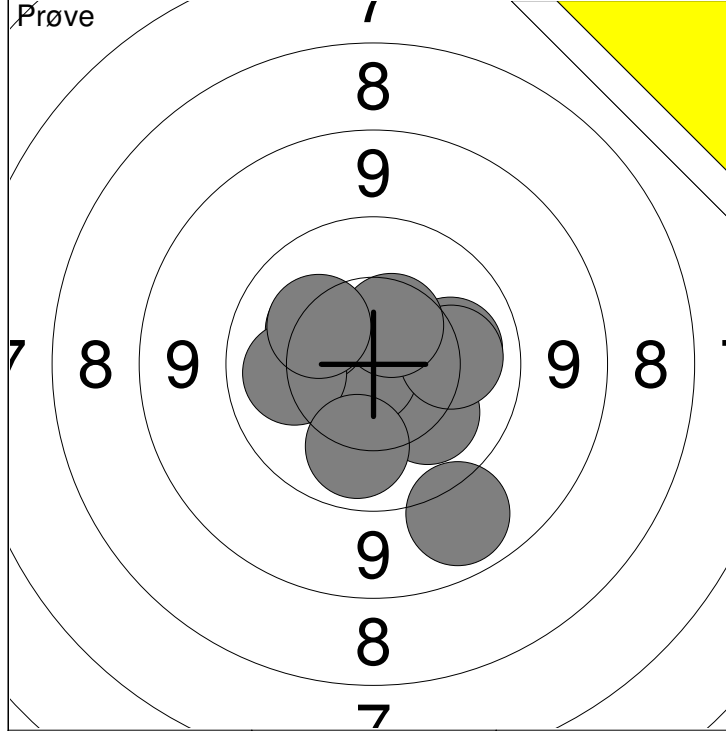


1:	10.6x	↗
2:	9.9	↗
3:	9.4	↗
4:	9.8	↗
5:	10.6x	↗
6:	10.5x	↗
7:	10.3	↑
8:	10.7x	↗
9:	10.7x	↗
10:	10.7x	↓
Serie		97
Total		97



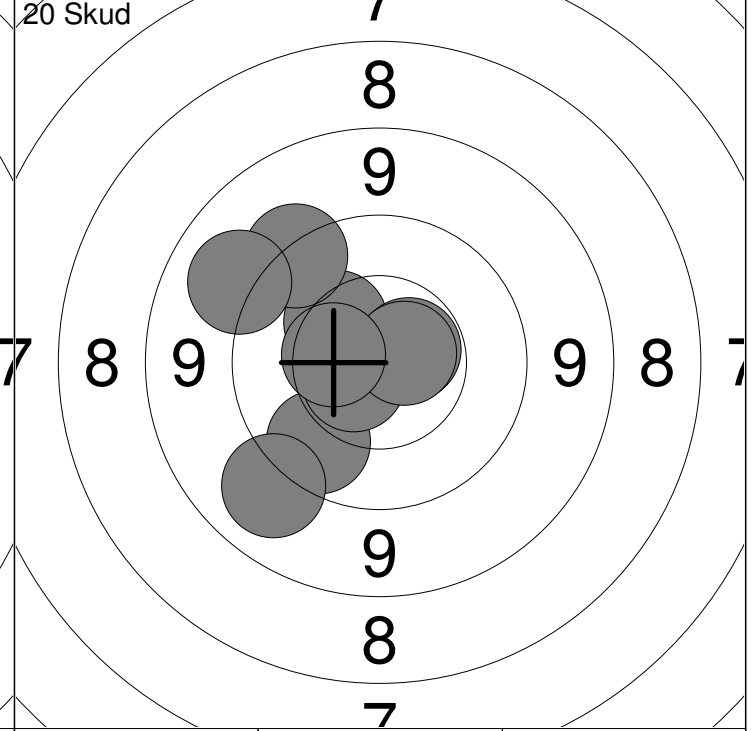
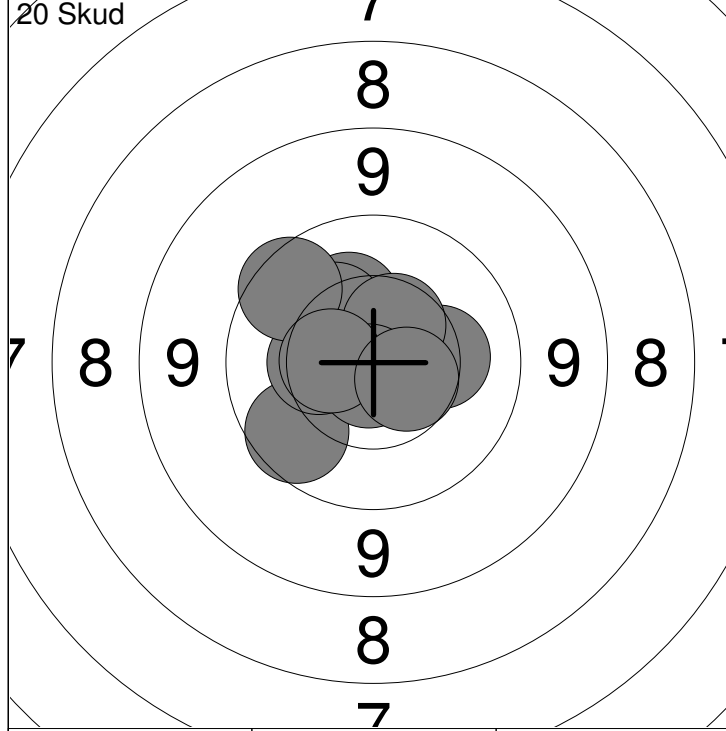
11:	10.6x	↗
12:	10.6x	↑
13:	10.8x	↗
14:	10.5x	↗
15:	10.6x	↘
16:	10.6x	←
17:	10.2	↗
18:	10.2	←
19:	10.2	↗
20:	10.2	↘
Serie		100
Total		197

Hold 30	Skive 10	William Rønn																																
Aalborg		Aalborg Skyttekreds		MB3																														
28.10.2017		15 meter riffelstævne 2017		Aalborg Skyttekreds																														
Prøve		<table border="0"> <tr><td>1:</td><td>8.8</td><td>←</td></tr> <tr><td>2:</td><td>8.3</td><td>↓</td></tr> <tr><td>3:</td><td>9.8</td><td>←</td></tr> <tr><td>4:</td><td>9.7</td><td>←</td></tr> <tr><td>5:</td><td>10.0</td><td>←</td></tr> <tr><td>6:</td><td>10.4</td><td>←</td></tr> <tr><td>7:</td><td>10.4</td><td>↓</td></tr> </table>			1:	8.8	←	2:	8.3	↓	3:	9.8	←	4:	9.7	←	5:	10.0	←	6:	10.4	←	7:	10.4	↓									
1:	8.8	←																																
2:	8.3	↓																																
3:	9.8	←																																
4:	9.7	←																																
5:	10.0	←																																
6:	10.4	←																																
7:	10.4	↓																																
		<table border="0"> <tr><td>Serie</td><td></td><td>64</td></tr> <tr><td>Total</td><td></td><td>0</td></tr> </table>			Serie		64	Total		0																								
Serie		64																																
Total		0																																
20 Skud		<table border="0"> <tr><td>1:</td><td>10.0</td><td>↓</td></tr> <tr><td>2:</td><td>9.0</td><td>↓</td></tr> <tr><td>3:</td><td>9.3</td><td>→</td></tr> <tr><td>4:</td><td>10.1</td><td>←</td></tr> <tr><td>5:</td><td>10.1</td><td>↓</td></tr> <tr><td>6:</td><td>10.7x</td><td>→</td></tr> <tr><td>7:</td><td>9.6</td><td>←</td></tr> <tr><td>8:</td><td>10.5</td><td>→</td></tr> <tr><td>9:</td><td>9.8</td><td>↓</td></tr> <tr><td>10:</td><td>10.5</td><td>↓</td></tr> </table>			1:	10.0	↓	2:	9.0	↓	3:	9.3	→	4:	10.1	←	5:	10.1	↓	6:	10.7x	→	7:	9.6	←	8:	10.5	→	9:	9.8	↓	10:	10.5	↓
1:	10.0	↓																																
2:	9.0	↓																																
3:	9.3	→																																
4:	10.1	←																																
5:	10.1	↓																																
6:	10.7x	→																																
7:	9.6	←																																
8:	10.5	→																																
9:	9.8	↓																																
10:	10.5	↓																																
		<table border="0"> <tr><td>Serie</td><td></td><td>96</td></tr> <tr><td>Total</td><td></td><td>96</td></tr> </table>			Serie		96	Total		96																								
Serie		96																																
Total		96																																
20 Skud		<table border="0"> <tr><td>11:</td><td>10.7x</td><td>↗</td></tr> <tr><td>12:</td><td>9.6</td><td>←</td></tr> <tr><td>13:</td><td>10.7x</td><td>←</td></tr> <tr><td>14:</td><td>10.5</td><td>↗</td></tr> <tr><td>15:</td><td>10.3</td><td>→</td></tr> <tr><td>16:</td><td>10.5</td><td>←</td></tr> <tr><td>17:</td><td>10.7x</td><td>↓</td></tr> <tr><td>18:</td><td>10.8x</td><td>↗</td></tr> <tr><td>19:</td><td>10.4</td><td>↓</td></tr> <tr><td>20:</td><td>10.7x</td><td>↗</td></tr> </table>			11:	10.7x	↗	12:	9.6	←	13:	10.7x	←	14:	10.5	↗	15:	10.3	→	16:	10.5	←	17:	10.7x	↓	18:	10.8x	↗	19:	10.4	↓	20:	10.7x	↗
11:	10.7x	↗																																
12:	9.6	←																																
13:	10.7x	←																																
14:	10.5	↗																																
15:	10.3	→																																
16:	10.5	←																																
17:	10.7x	↓																																
18:	10.8x	↗																																
19:	10.4	↓																																
20:	10.7x	↗																																
		<table border="0"> <tr><td>Serie</td><td></td><td>99</td></tr> <tr><td>Total</td><td></td><td>195</td></tr> </table>			Serie		99	Total		195																								
Serie		99																																
Total		195																																



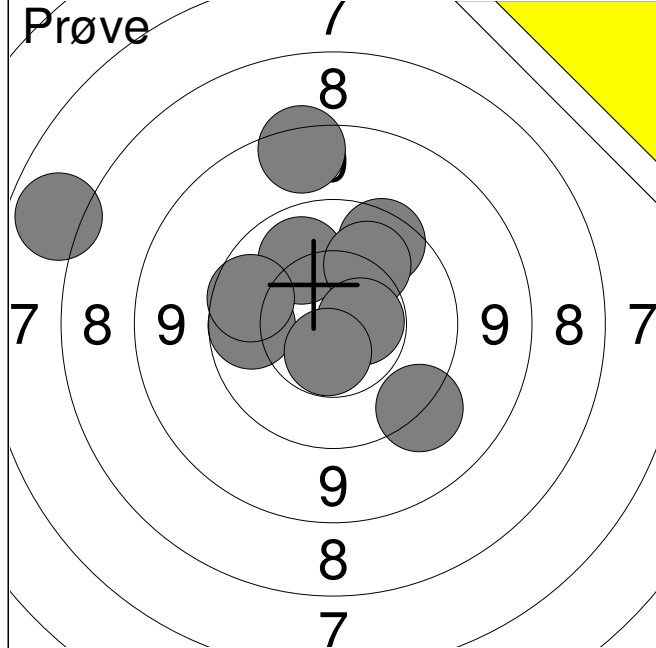
1: 10.2 ↘	6: 10.3 ↙	Serie 99
2: 10.1 →	7: 10.5 ↗	
3: 9.1 ↘	8: 10.1 ←	Total 0
4: 10.8x ↙	9: 10.3 ↙	
5: 10.1 →	10: 10.1 ↘	

11: 9.3 ↖	16: 9.7 ↗	Serie 75
12: 9.8 ↓	17: 10.0 ↓	
13: 9.6 ↙	18: 10.5 ←	Total 0
14: 9.9 ↗		
15: 10.3 ↓		

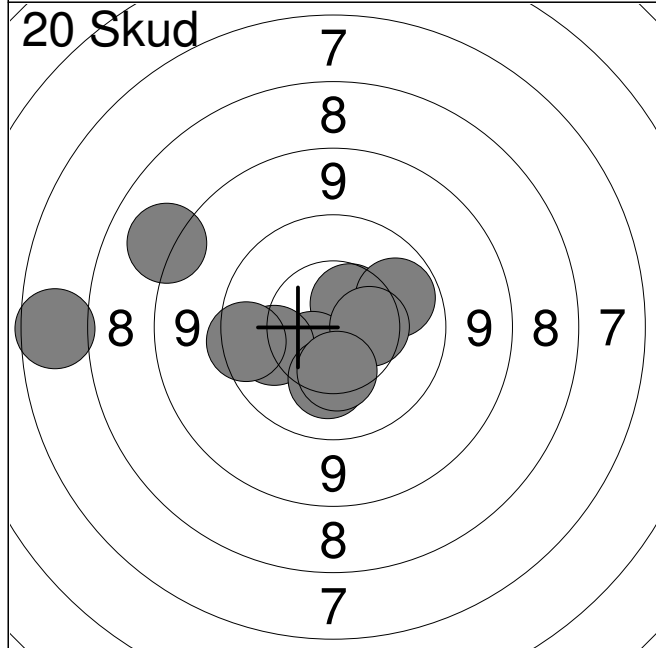


1: 10.3 ↗	6: 10.4 ←	Serie 98
2: 10.3 →	7: 10.8x ↘	
3: 10.3 ↗	8: 9.8 ↙	Total 98
4: 9.9 ↙	9: 10.5 ←	
5: 10.5 ↗	10: 10.6 ↘	

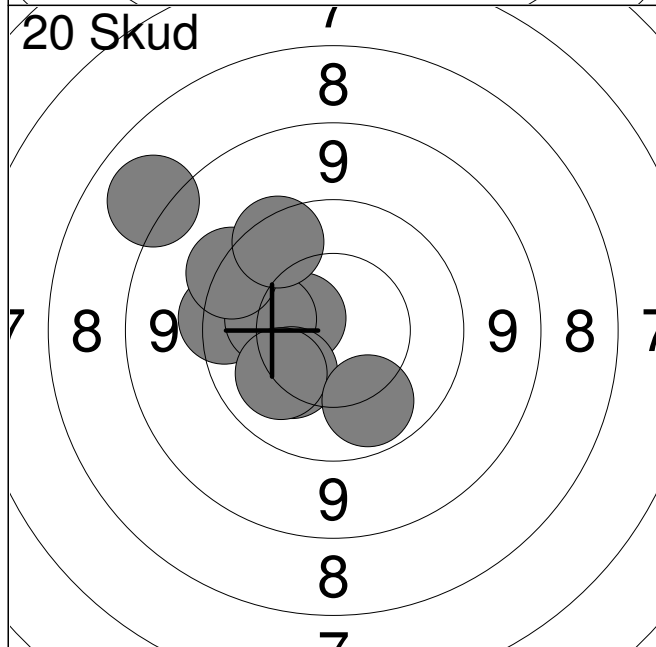
11: 9.9 ↙	16: 10.6x ↙	Serie 96
12: 10.3 ↙	17: 9.2 ↙	
13: 9.5 ↗	18: 10.7x →	Total 194
14: 10.6x →	19: 9.2 ↙	
15: 10.7x ←	20: 10.5 ←	



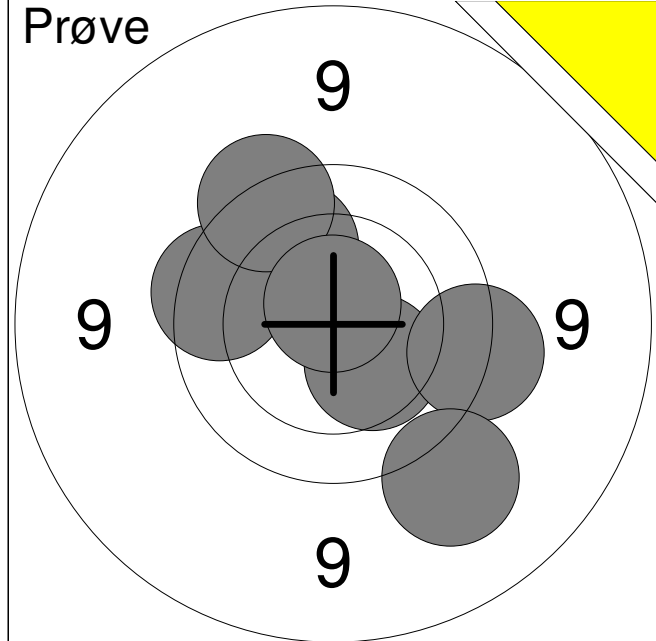
1:	8.6	↑
2:	9.8	↗
3:	10.1	↗
4:	10.1	↗
5:	7.1	←
6:	9.9	←
7:	9.9	←
8:	10.6x	→
9:	9.4	↘
10:	10.6x	↓
Serie	91	
Total	0	



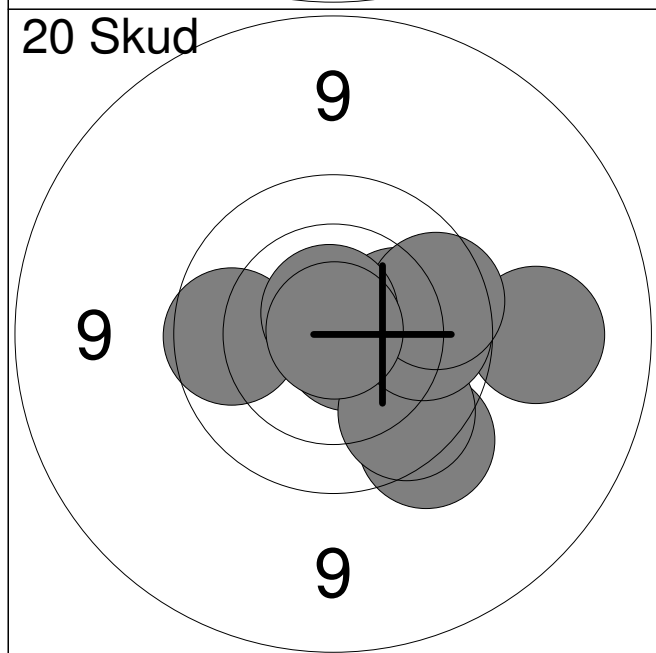
1:	10.6	↗
2:	10.5	↘
3:	8.3	←
4:	10.0	↗
5:	10.1	←
6:	10.2	↓
7:	6.9	←
8:	10.5	→
9:	9.7	←
10:	10.3	↓
Serie	93	
Total	93	



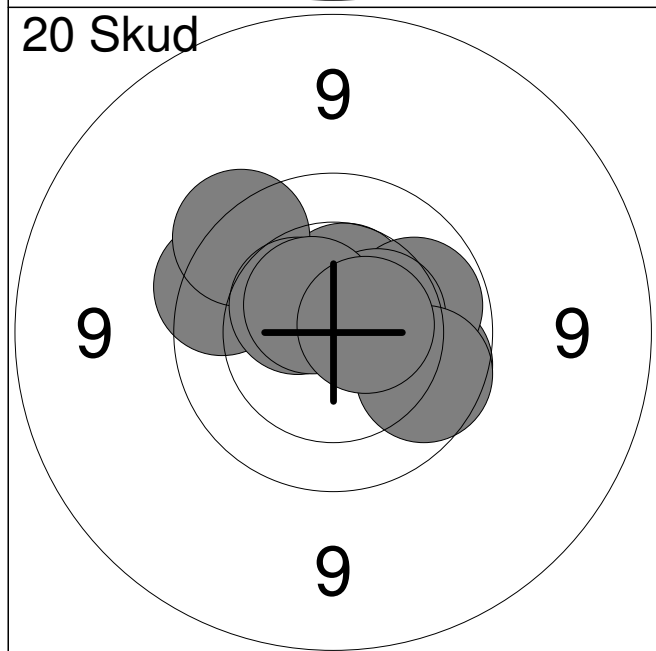
11:	10.3	↘
12:	9.6	←
13:	10.5	←
14:	10.2	←
15:	10.2	↘
16:	10.2	↘
17:	10.0	↓
18:	9.5	↗
19:	8.2	↗
20:	9.7	↗
Serie	95	
Total	188	



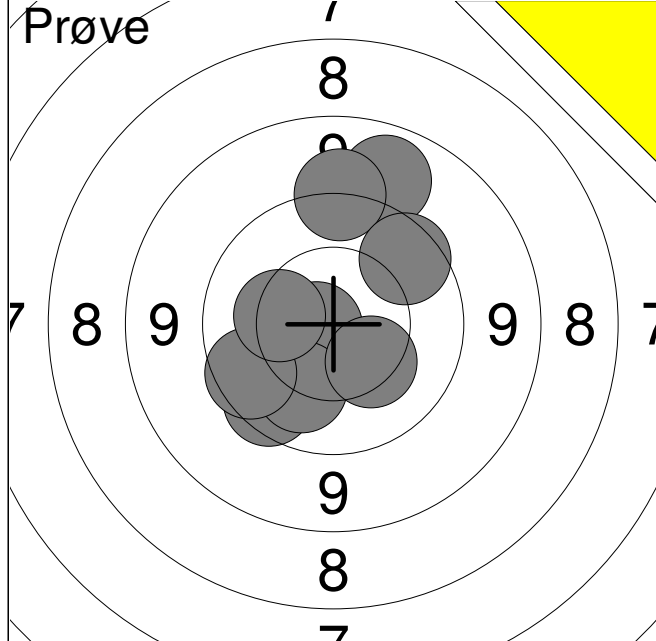
1:	10.0	↗
2:	10.3	↘
3:	9.6	→
4:	9.8	←
5:	9.7	↗
6:	9.3	↘
7:	10.7x	↑
Serie		66
Total		0



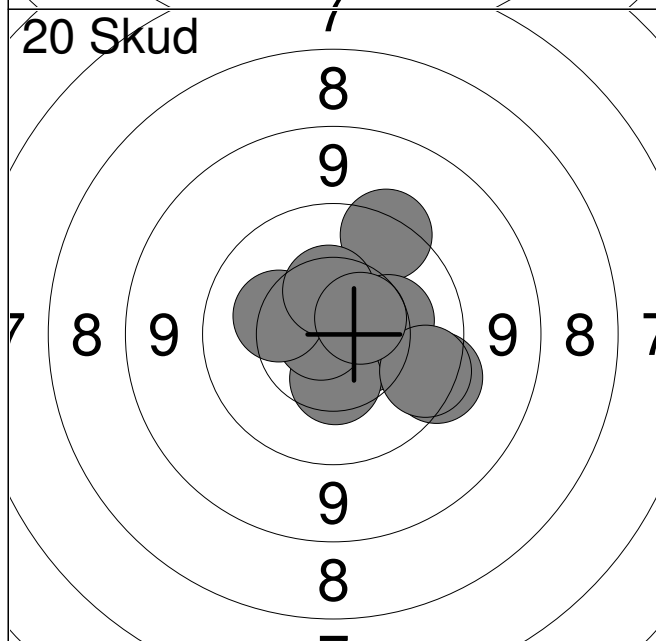
1:	9.2	→
2:	9.6	↘
3:	10.7x	↘
4:	9.9	←
5:	9.8	↘
6:	10.2	→
7:	10.0	→
8:	9.8	→
9:	10.7x	↑
10:	10.9x	↑
Serie		95
Total		95



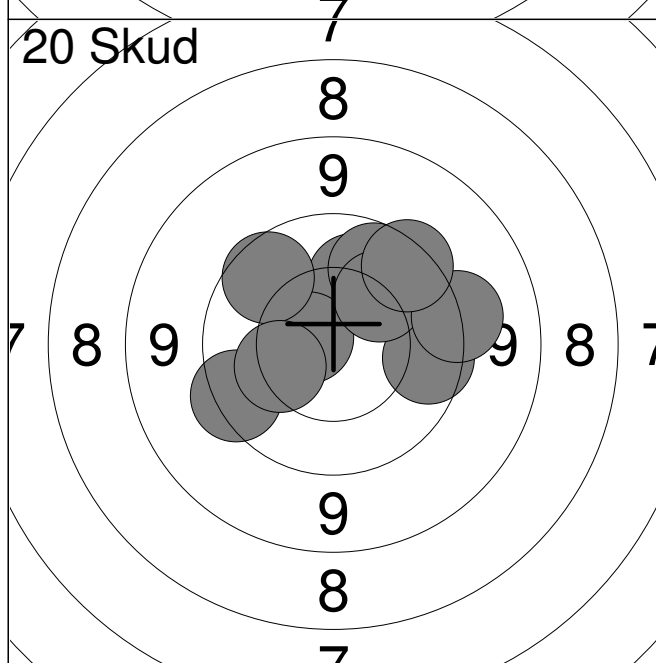
11:	9.8	←
12:	10.5	↑
13:	9.9	↘
14:	9.7	↗
15:	10.0	→
16:	10.5	↗
17:	10.4	→
18:	10.6x	↗
19:	9.9	↘
20:	10.6x	→
Serie		96
Total		191



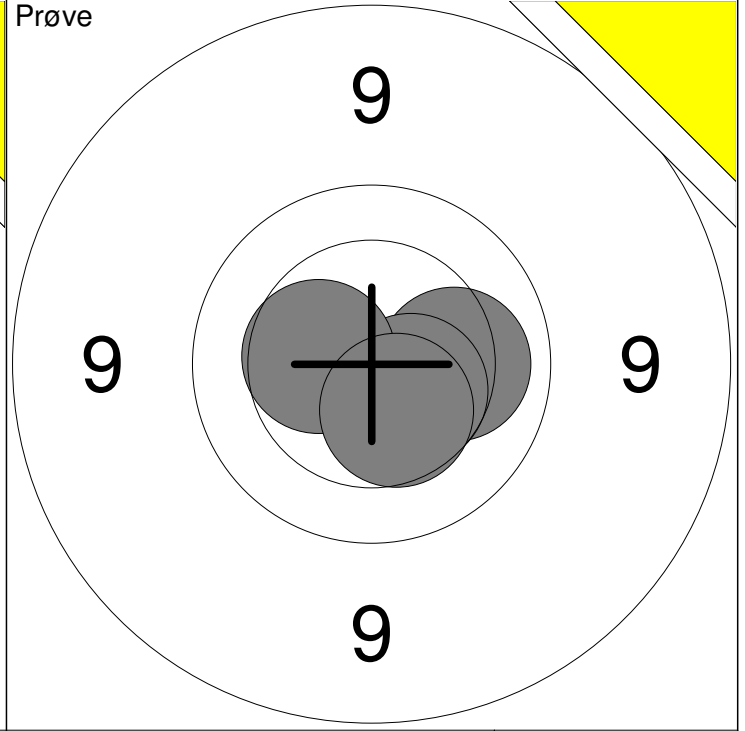
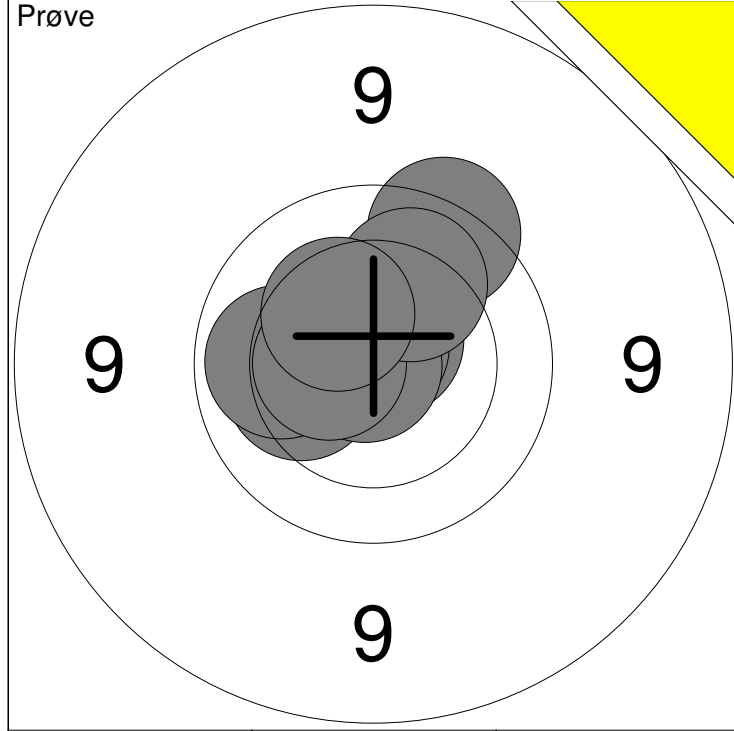
1:	10.7x	←
2:	9.8	↙
3:	9.8	↙
4:	9.1	↑
5:	10.1	↘
6:	9.8	←
7:	9.4	↑
8:	9.8	↗
9:	10.3	↘
10:	10.3	←
Serie		94
Total		0



1:	9.6	→
2:	9.6	↗
3:	10.5	→
4:	10.3	→
5:	10.4	↓
6:	9.8	→
7:	10.8x	←
8:	10.3	←
9:	10.4	↑
10:	10.6	↗
Serie		97
Total		97

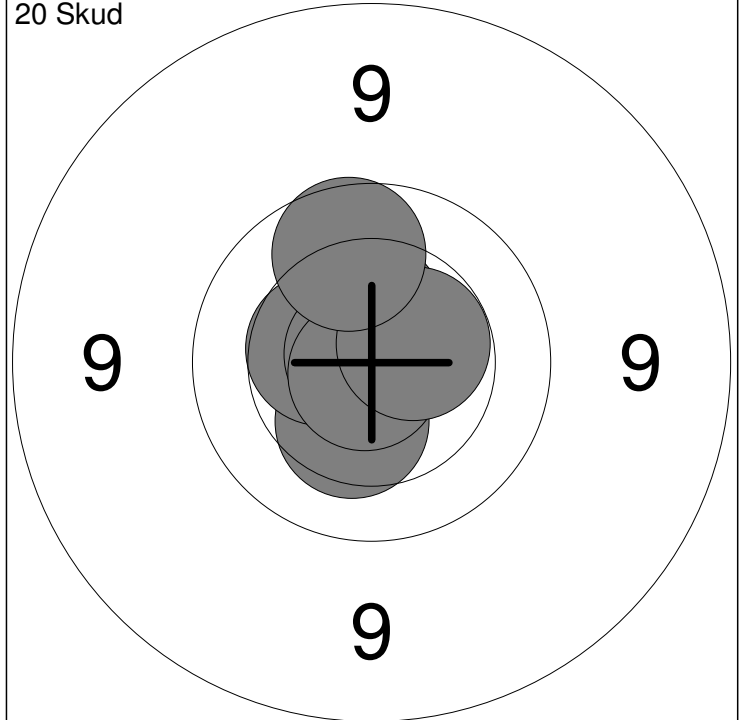
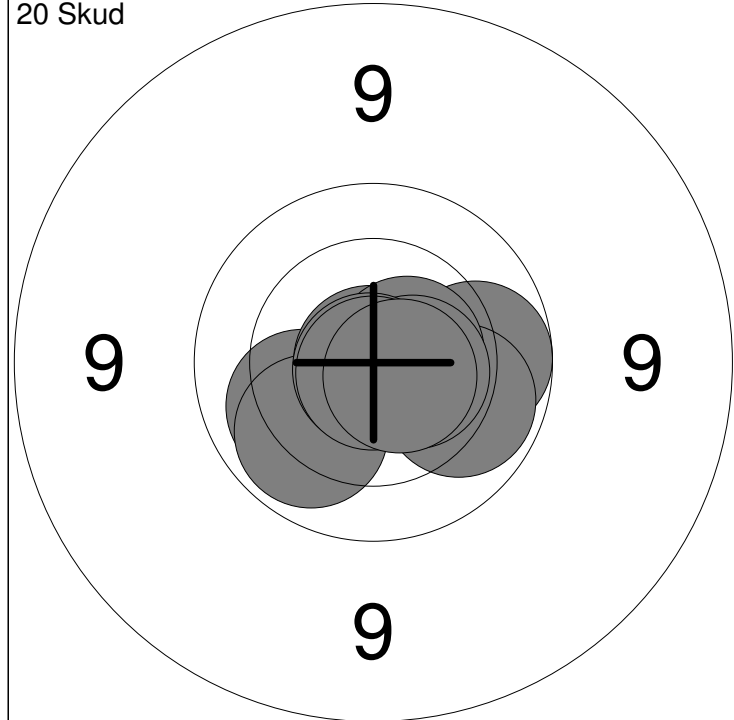


11:	10.1	↑
12:	9.9	↗
13:	9.8	→
14:	10.6x	←
15:	9.8	↖
16:	9.6	←
17:	10.2	↗
18:	9.4	→
19:	9.6	↗
20:	10.3	←
Serie		94
Total		191



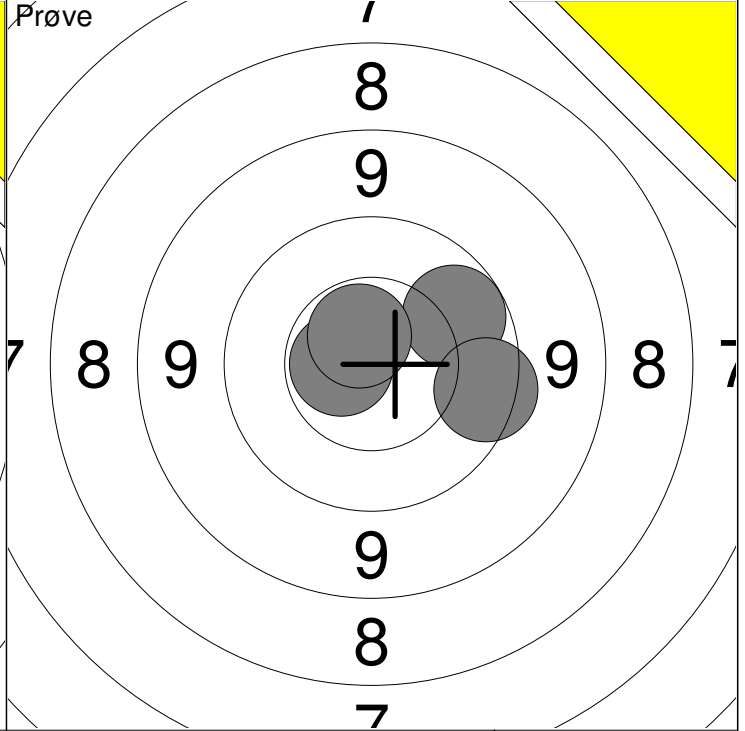
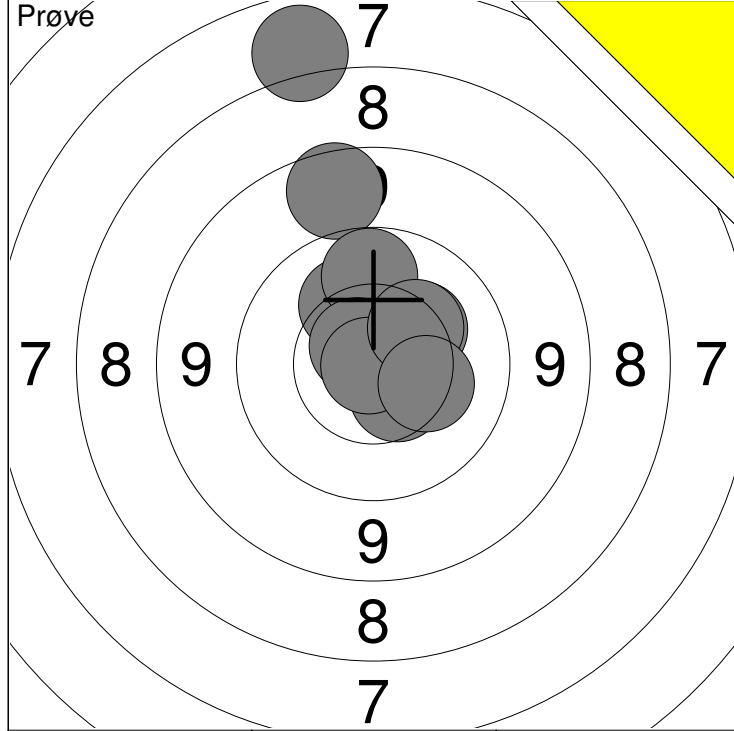
1: 9.7 ↗	6: 10.5x ←	Serie	99
2: 10.7x ↗	7: 10.9x ←		
3: 10.8x ↑	8: 10.5x ←	Total	0
4: 10.2 ←	9: 10.1 ↗		
5: 10.1 ←	10: 10.3 ↘		

11: 10.1 →	Serie	40
12: 10.5 ↘		
13: 10.4 ←	Total	0
14: 10.4 ↘		



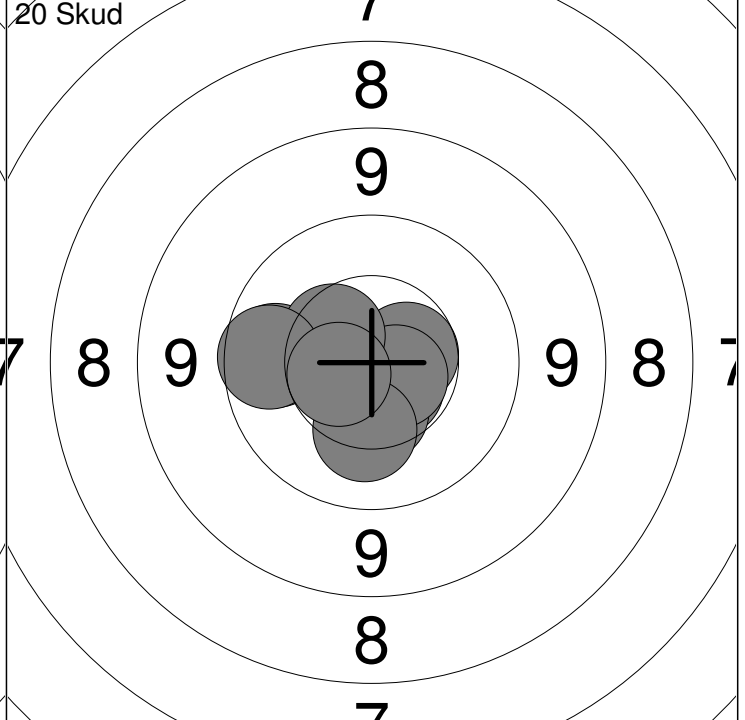
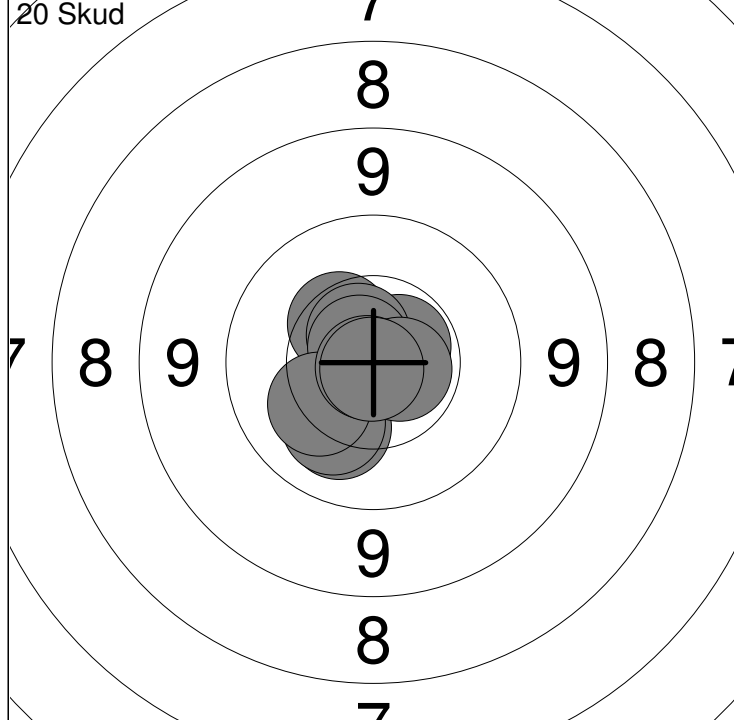
1: 10.1 ←	6: 10.6x →	Serie	99
2: 9.9 →	7: 10.6x →		
3: 10.0 ←	8: 10.9x ↓	Total	99
4: 10.0 →	9: 10.8x ↓		
5: 10.9x ←	10: 10.7x ↘		

11: 10.3 ↓	16: 10.4 ←	Serie	99
12: 10.9x ↓	17: 10.8x ↘		
13: 10.5 ↑	18: 10.8x ↓	Total	198
14: 10.6x ←	19: 10.5x ↗		
15: 10.6x ↑	20: 9.9 ↑		



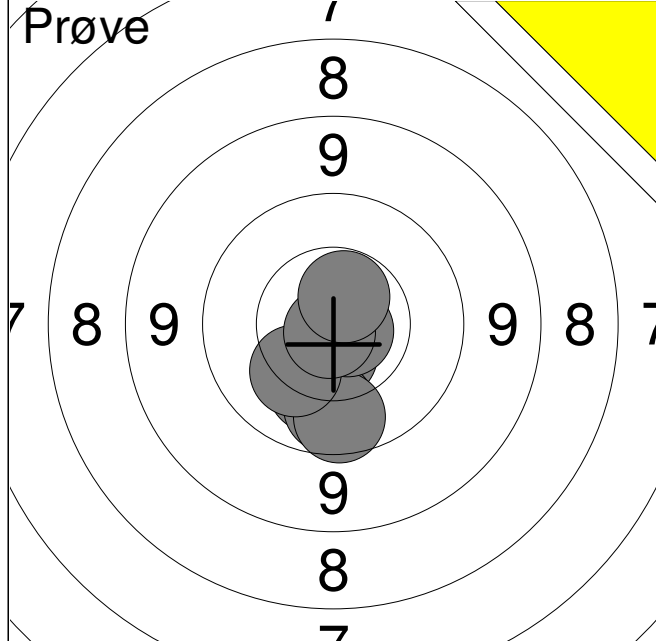
1: 7.1 ↗	6: 10.5 ↘	Serie 95
2: 8.8 ↗	7: 10.3 ↗	
3: 10.2 ↗	8: 10.9x ←	Total 0
4: 10.0 ↗	9: 10.3 ↗	
5: 10.7x ↖	10: 10.3 ↘	

11: 10.0 ↗	Serie 39
12: 9.7 →	
13: 10.6x ←	Total 0
14: 10.6x ↗	

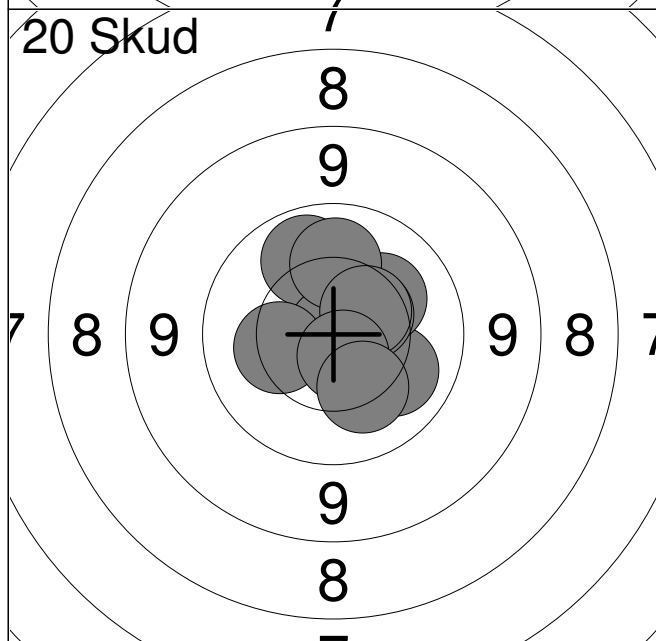


1: 10.4 ↖	6: 10.7x →	Serie 100
2: 10.6x ↗	7: 10.2 ↘	
3: 10.6x ↗	8: 10.2 ↘	Total 100
4: 10.7x ↖	9: 10.9x ←	
5: 10.2 ↘	10: 10.9x ↘	

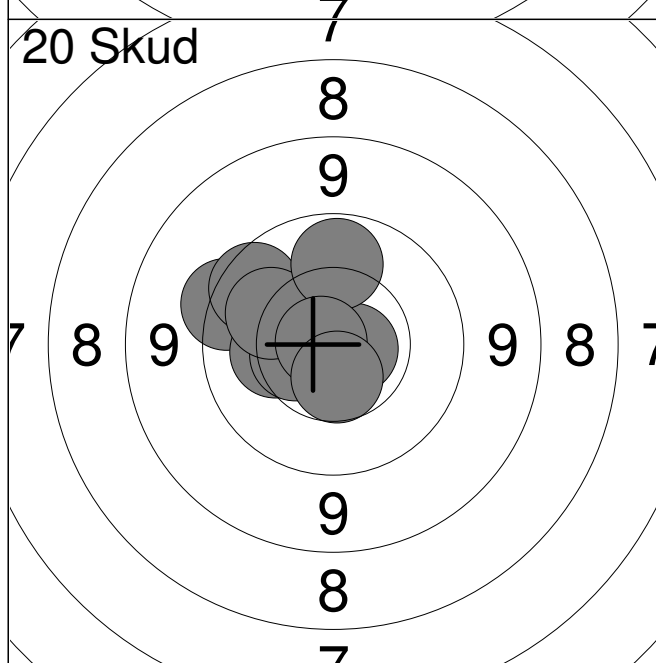
11: 10.6x ←	16: 9.9 ←	Serie 98
12: 10.6 →	17: 10.5 ↖	
13: 10.6x ↘	18: 9.9 ←	Total 198
14: 10.4 ↘	19: 10.2 ↘	
15: 10.7x ↘	20: 10.6x ←	



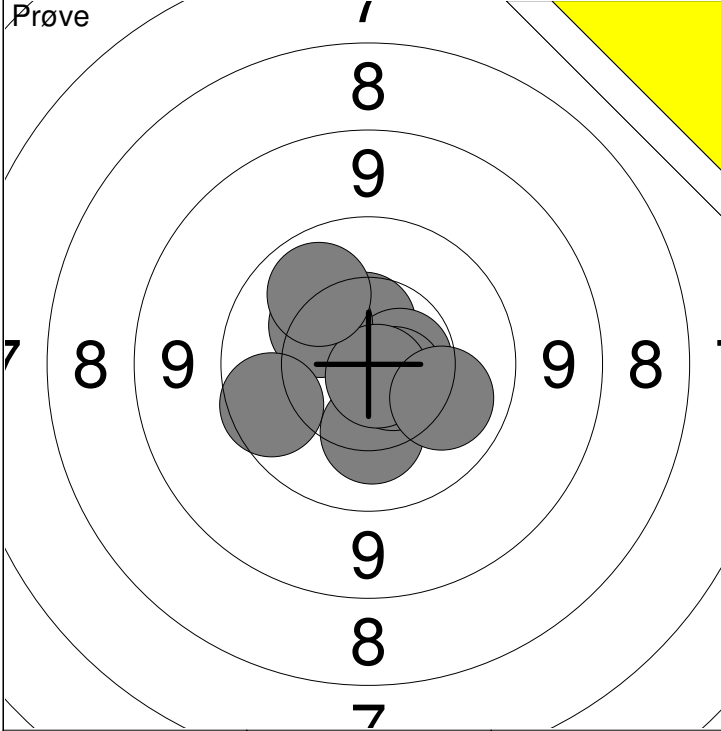
1:	10.2	↓
2:	10.6x	↓
3:	10.0	↓
4:	9.8	↓
5:	10.2	↙
6:	10.8x	→
7:	10.8x	↓
8:	10.6x	↑
Serie		79
Total		0



1:	10.0	↑
2:	10.1	↘
3:	10.2	↗
4:	10.9x	↑
5:	10.1	↑
6:	10.5	↗
7:	10.5	↗
8:	10.3	←
9:	10.7x	↓
10:	10.2	↓
Serie		100
Total		100

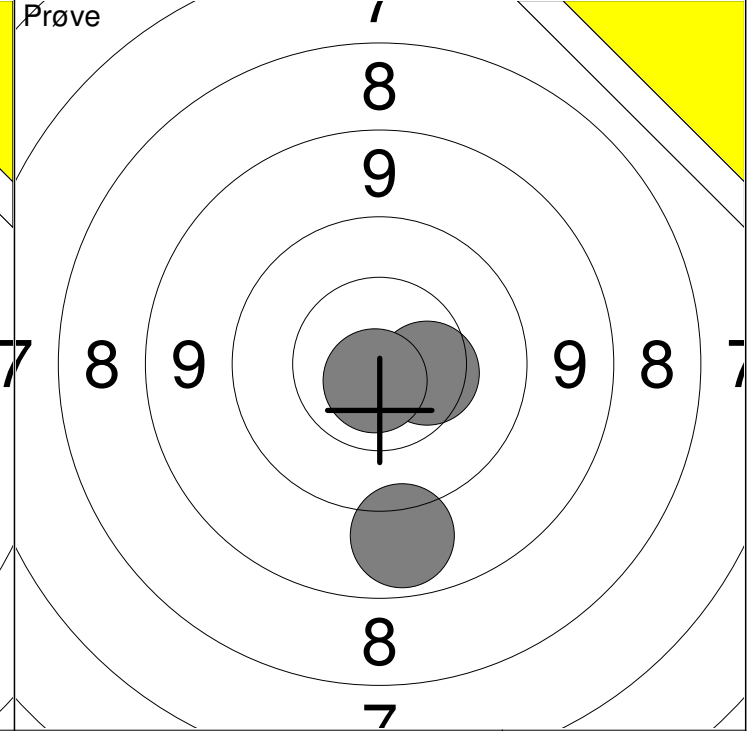


11:	10.7x	→
12:	9.6	←
13:	10.3	←
14:	9.8	↗
15:	10.8x	←
16:	10.5	←
17:	10.1	↖
18:	10.0	↑
19:	10.8x	←
20:	10.6	↓
Serie		98
Total		198



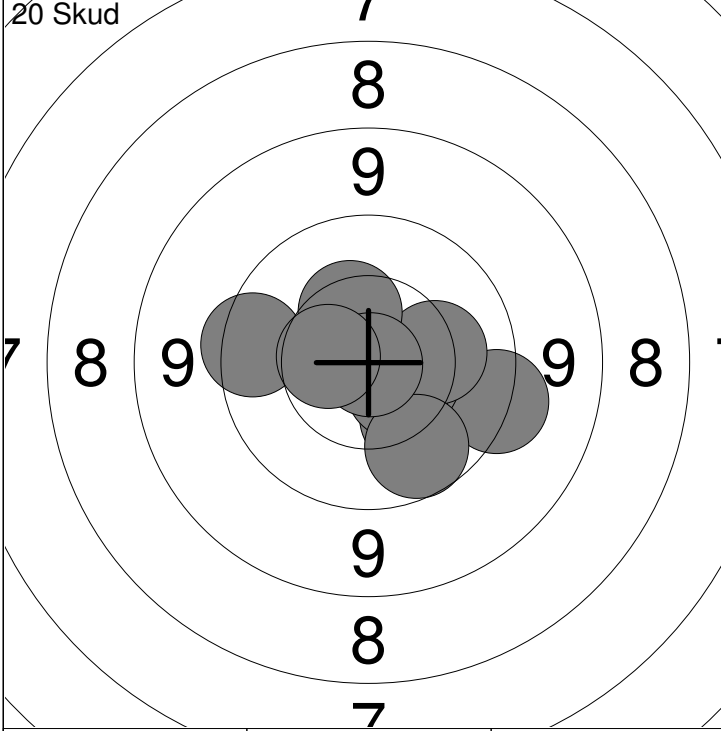
1: 10.5 ↑	6: 10.2 ↓
2: 10.5 ↘	7: 10.6x ↘
3: 10.6x →	8: 10.8x ↘
4: 10.3 ↗	9: 10.1 ↗
5: 9.8 ←	10: 10.1 ↘

Serie	99
Total	0



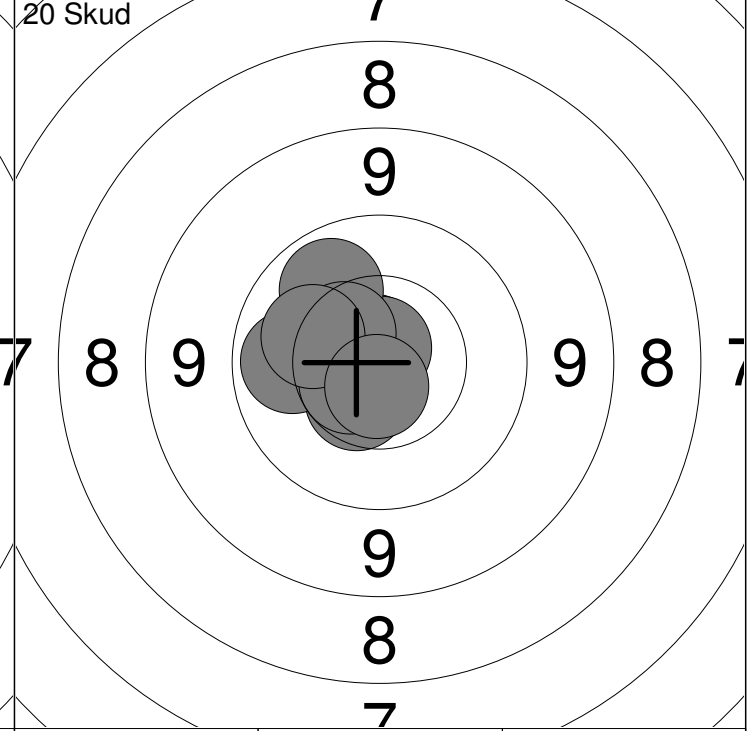
11: 9.1 ↓	12: 10.4 →
13: 10.8x ↘	

Serie	29
Total	0



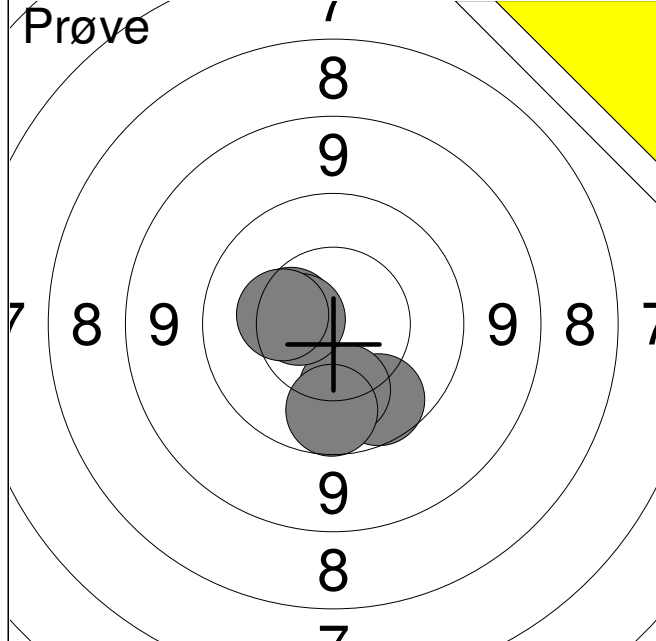
1: 10.2 ↘	6: 9.9 ↘
2: 9.5 →	7: 10.4 ↗
3: 10.5 ↘	8: 10.9x ↘
4: 10.5 ↘	9: 9.7 ←
5: 10.2 →	10: 10.5 ←

Serie	97
Total	97

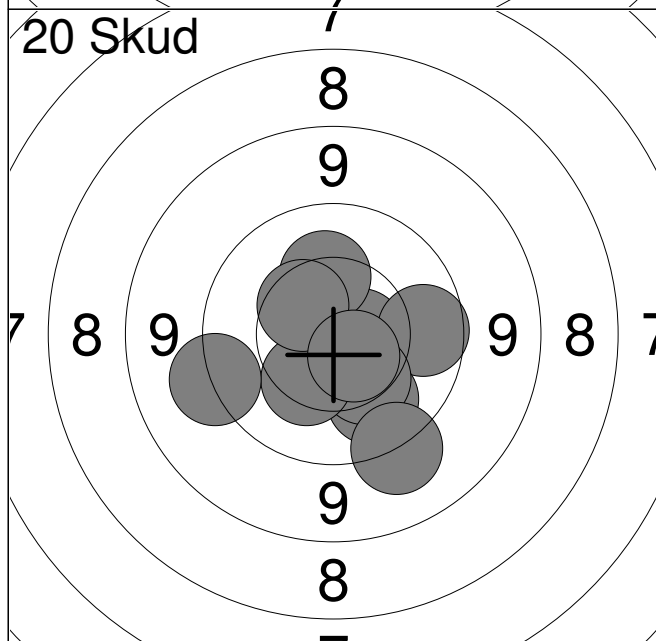


11: 10.8x ↗	16: 10.0 ↗
12: 10.8x ↑	17: 10.6 ←
13: 10.5 ↘	18: 10.5 ↗
14: 10.0 ←	19: 10.2 ←
15: 10.3 ←	20: 10.7x ↓

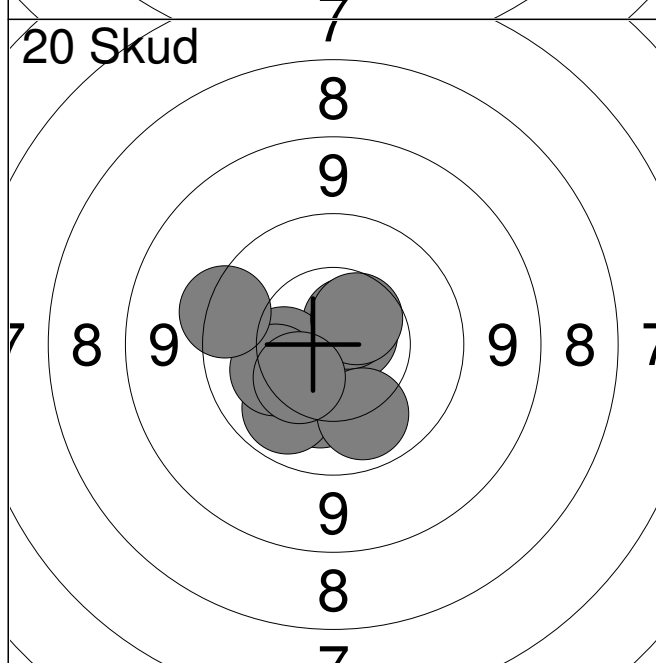
Serie	100
Total	197



1:	9.9	↓
2:	10.2	↓
3:	10.4	←
4:	10.5	←
5:	10.3	←
6:	9.9	↓
Serie		58
Total		0

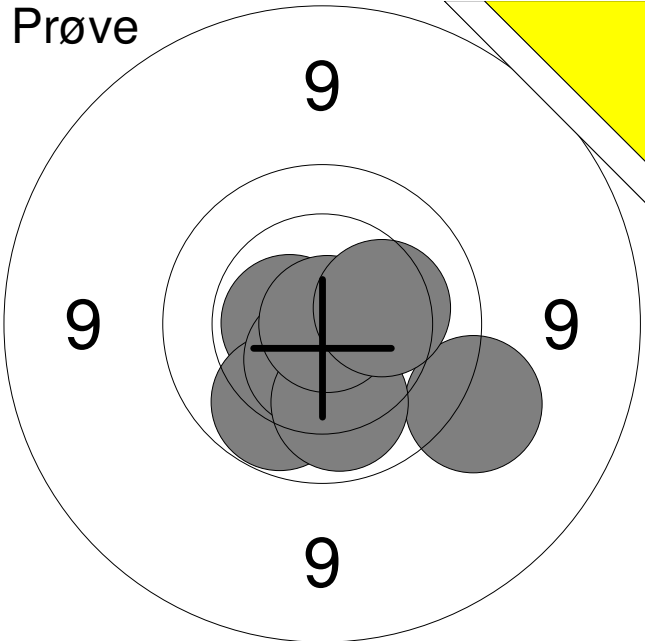


1:	10.6x	→
2:	9.9	→
3:	10.1	↓
4:	10.3	↓
5:	10.3	↑
6:	10.3	↓
7:	10.5	↗
8:	9.4	←
9:	10.6x	↓
10:	9.4	↓
Serie		97
Total		97



11:	10.3	↓
12:	10.7x	↗
13:	10.6x	↗
14:	10.4	←
15:	10.0	↓
16:	10.5	↗
17:	10.1	↓
18:	10.2	←
19:	10.4	↓
20:	9.6	←
Serie		99
Total		196

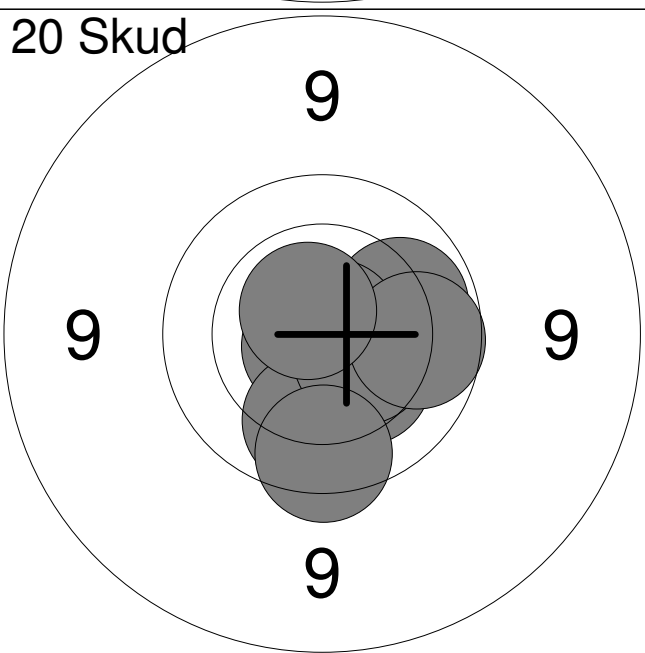
Prøve



1:	10.6x	←
2:	9.4	↘
3:	10.0	↓
4:	10.5x	↓
5:	10.1	↓
6:	10.9x	→
7:	10.3	→

Serie	69
Total	0

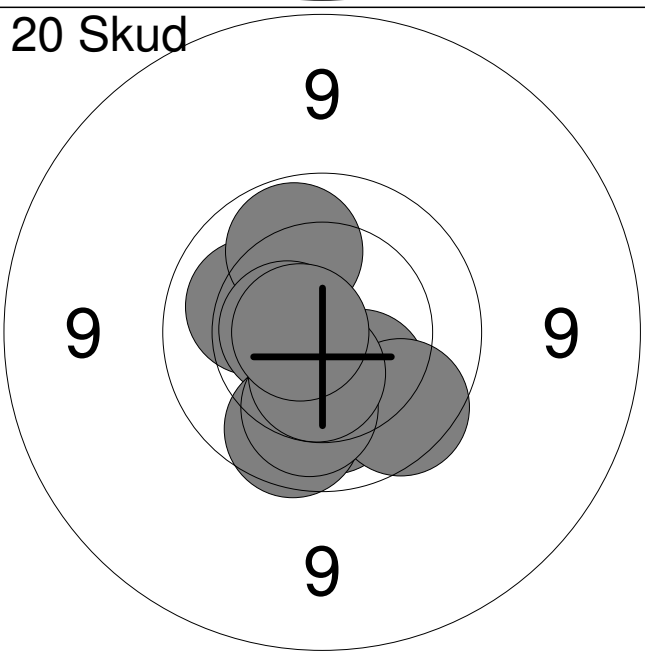
20 Skud



1:	10.6x	→
2:	10.8x	↙
3:	10.3	↙
4:	10.0	→
5:	10.8x	↗
6:	10.0	↓
7:	10.5	↘
8:	9.9	→
9:	10.6x	↗
10:	9.8	↓

Serie	98
Total	98

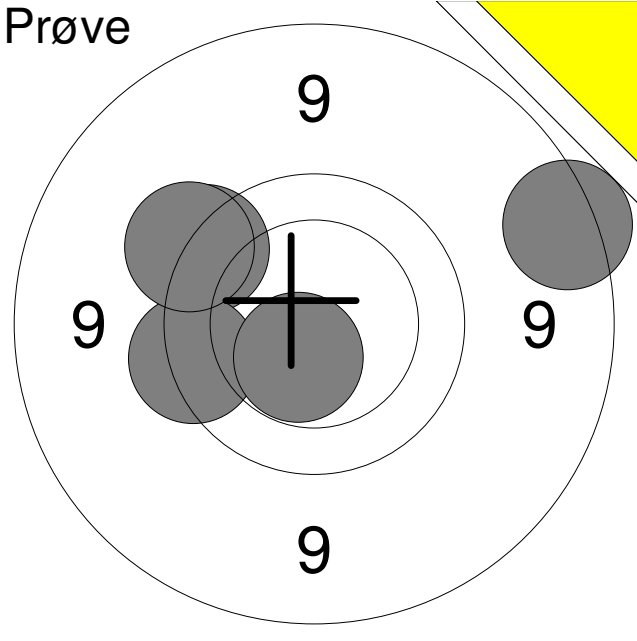
20 Skud



11:	10.1	←
12:	10.1	↓
13:	10.0	↗
14:	10.3	↘
15:	10.6x	←
16:	9.9	↓
17:	9.8	↘
18:	10.1	↓
19:	10.5x	↓
20:	10.7x	←

Serie	98
Total	196

Prøve

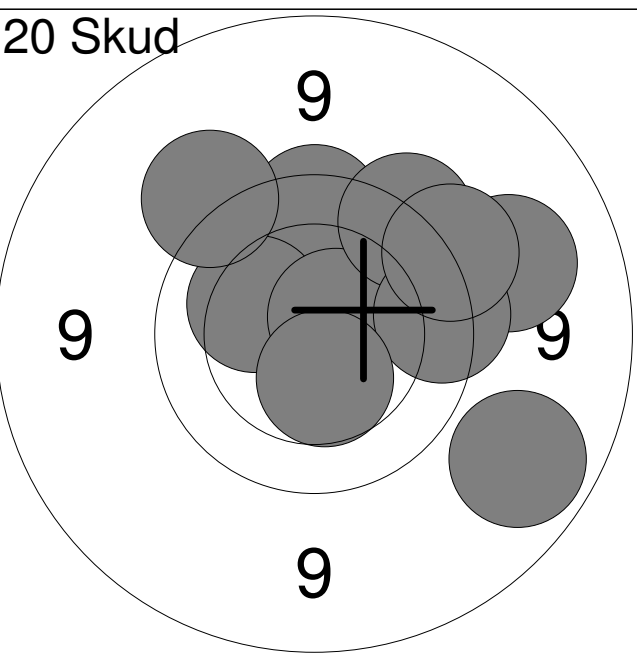


1:	9.6	↗
2:	9.7	←
3:	8.8	→
4:	10.5x	↓
5:	9.5	↖

Serie **45**

Total **0**

20 Skud

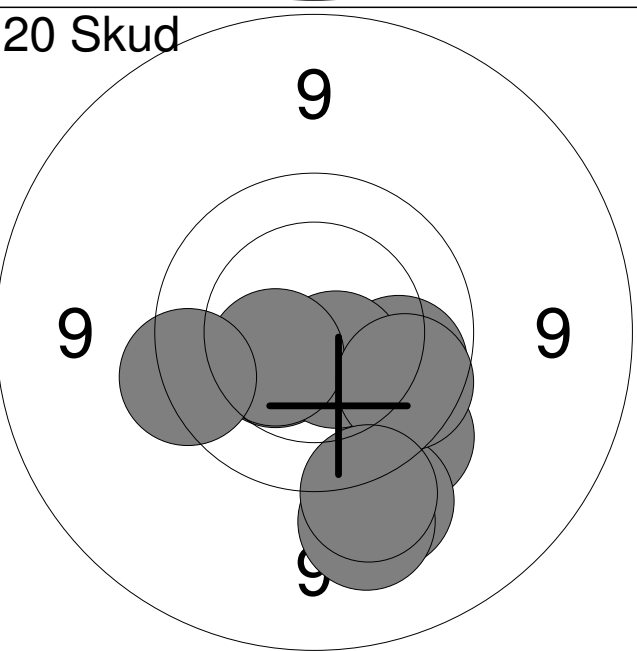


1:	9.2	→
2:	9.8	↑
3:	10.2	↖
4:	10.6x	↗
5:	9.6	↗
6:	9.4	↗
7:	9.0	↓
8:	9.7	→
9:	10.4	↓
10:	9.5	↗

Serie **93**

Total **93**

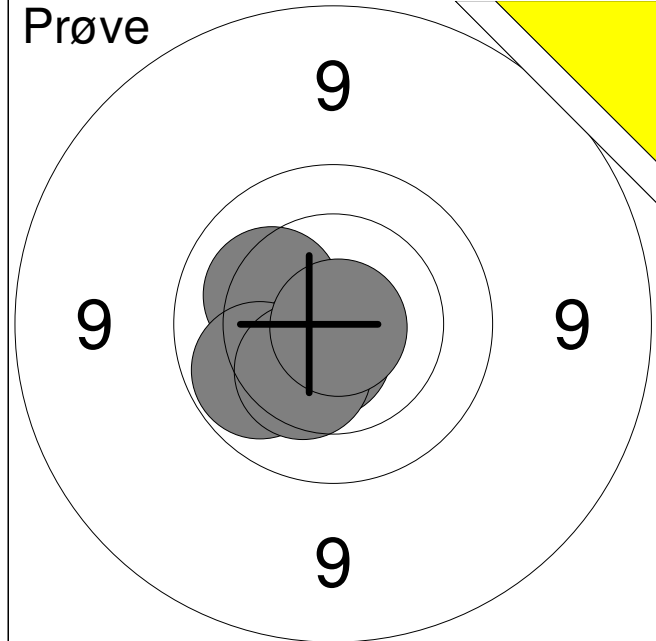
20 Skud



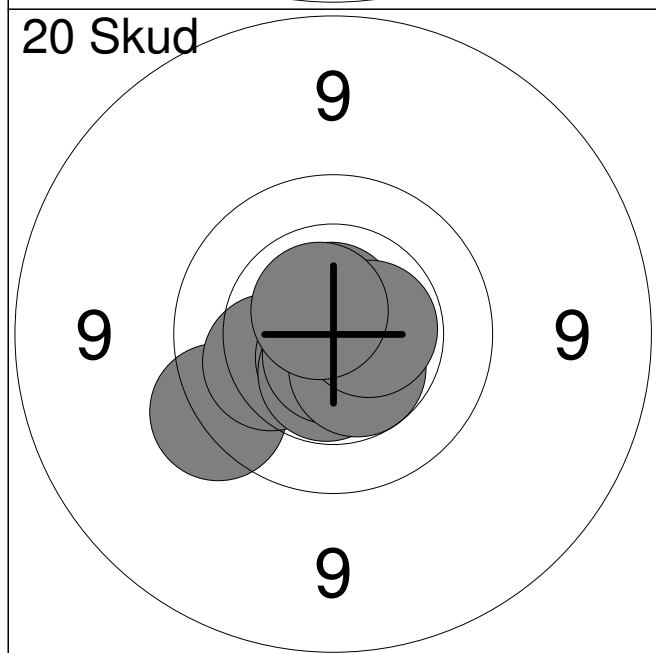
11:	10.4	←
12:	9.6	↓
13:	9.9	→
14:	9.4	↓
15:	10.6x	↓
16:	10.4	↖
17:	9.3	↓
18:	9.9	↓
19:	9.7	←
20:	9.5	↓

Serie **93**

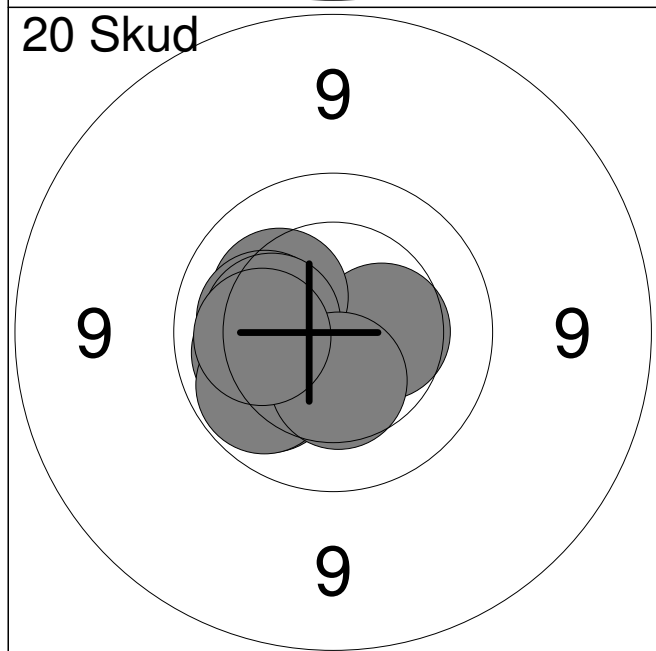
Total **186**



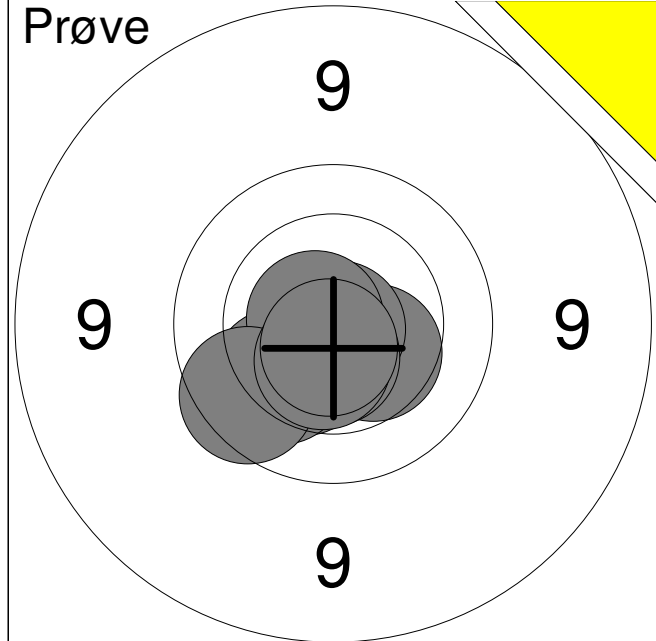
1:	10.2	↖
2:	10.6x	↓
3:	10.0	↙
4:	10.3	↓
5:	10.9x	↘
Serie		50
Total		0



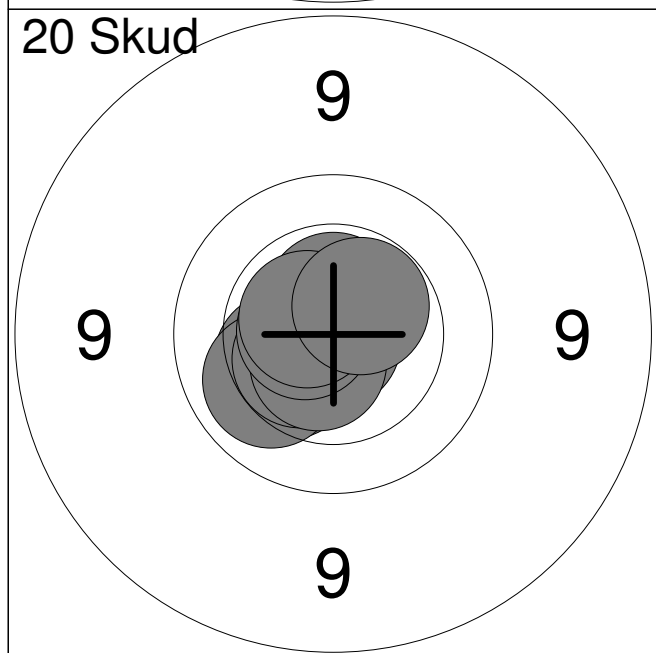
1:	9.6	↙
2:	10.7x	↑
3:	10.6x	↙
4:	10.2	↙
5:	10.7x	↓
6:	10.5x	↓
7:	10.7x	↓
8:	10.5x	↘
9:	10.6x	→
10:	10.6x	↗
Serie		99
Total		99



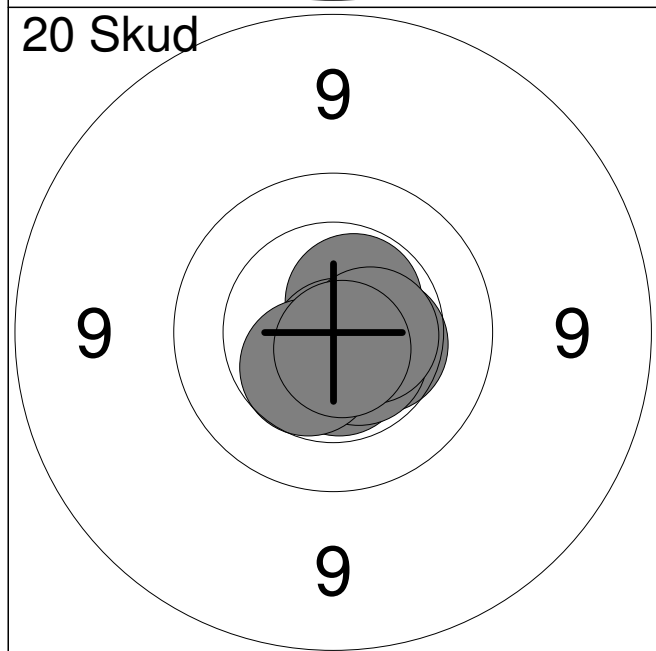
11:	10.1	↙
12:	10.4	→
13:	10.3	↙
14:	10.2	↖
15:	10.2	↙
16:	10.0	↙
17:	10.3	↙
18:	10.0	↙
19:	10.4	↓
20:	10.2	↙
Serie		100
Total		199



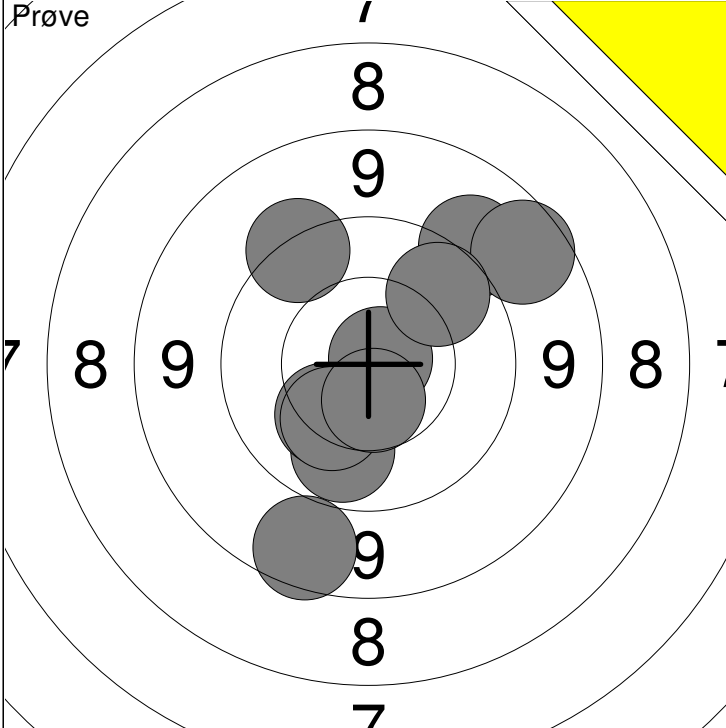
1:	10.4	↘
2:	10.4	↘
3:	10.9x	↘
4:	10.1	↘
5:	10.6x	↓
6:	10.7x	←
7:	9.8	↙
8:	10.5x	↓
9:	10.7x	↓
Serie		89
Total		0



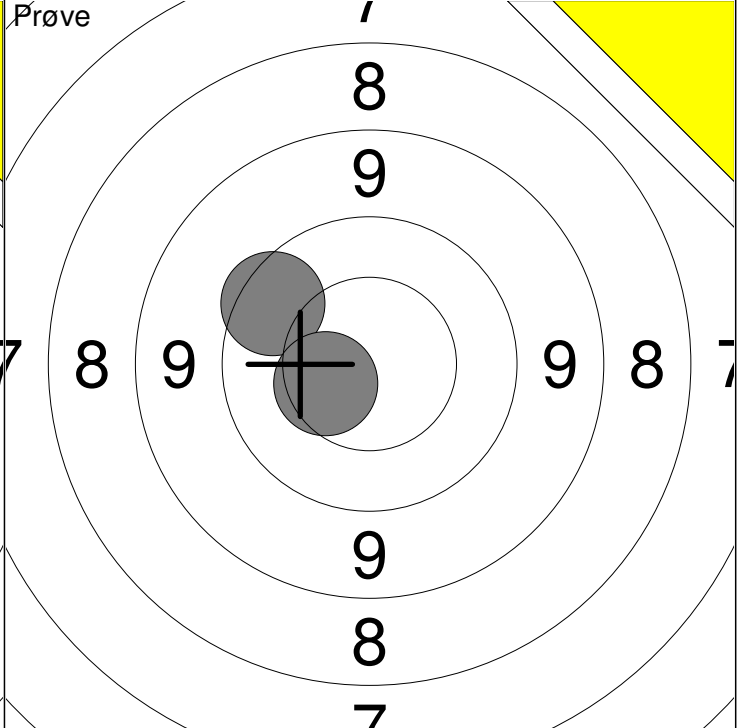
1:	10.3	↙
2:	10.9x	↓
3:	10.3	↙
4:	10.1	↙
5:	10.5x	↙
6:	10.6x	↓
7:	10.6x	←
8:	10.6x	↑
9:	10.6x	↙
10:	10.5x	↗
Serie		100
Total		100



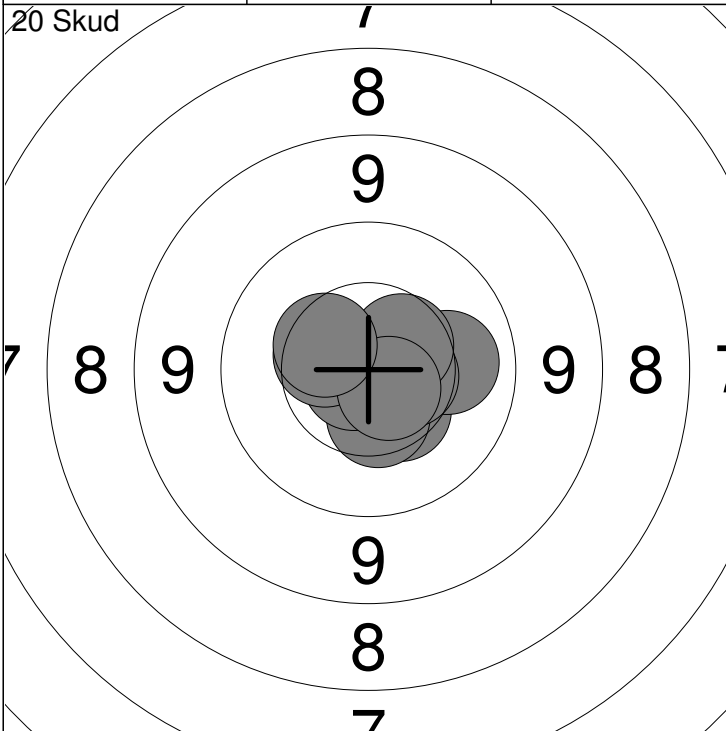
11:	10.8x	→
12:	10.6x	→
13:	10.5x	↗
14:	10.6x	↓
15:	10.4	→
16:	10.8x	↓
17:	10.6x	↓
18:	10.5x	→
19:	10.5	↙
20:	10.7x	↓
Serie		100
Total		200



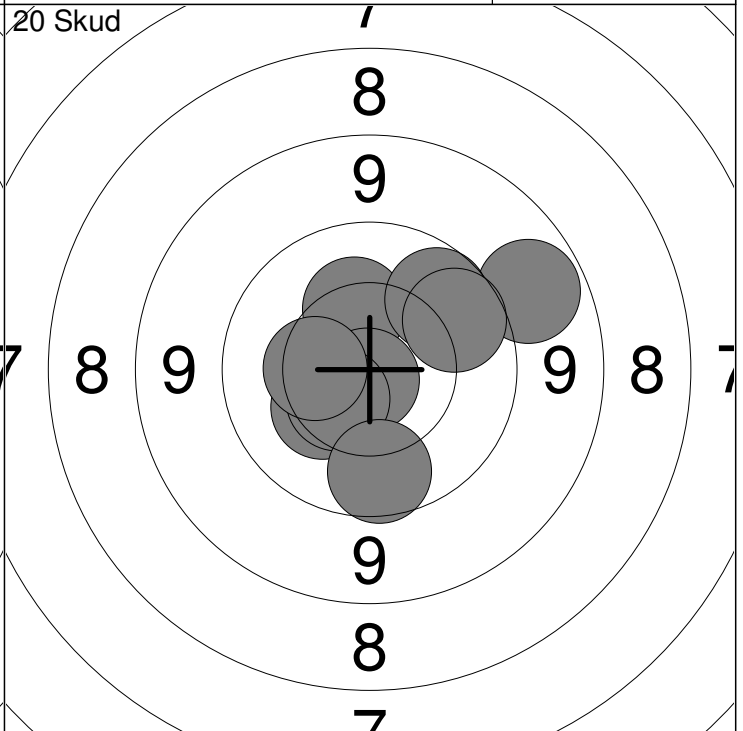
1: 9.3 ↗	6: 10.8x ↗	Serie 93
2: 8.9 ↗	7: 10.3 ↘	
3: 9.5 ↖	8: 8.8 ↘	Total 0
4: 10.0 ↘	9: 10.6 ↘	
5: 10.3 ↘	10: 9.9 ↗	



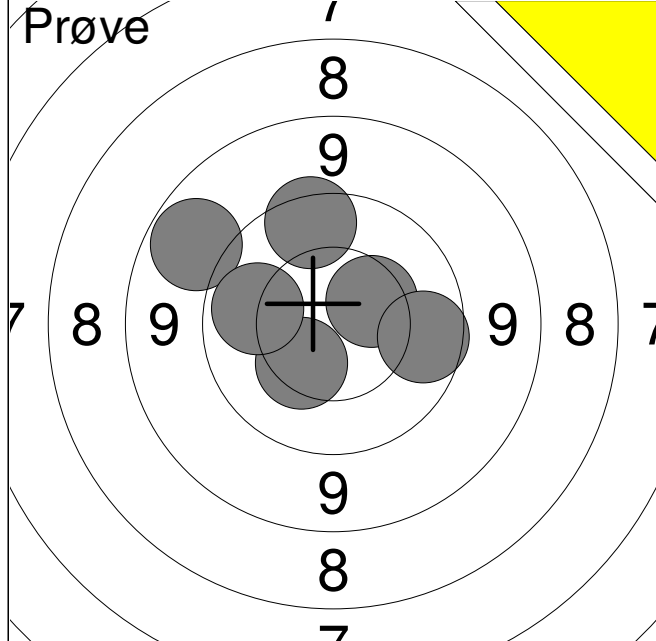
11: 9.7 ↖	Serie 19
12: 10.4 ↖	
	Total 0



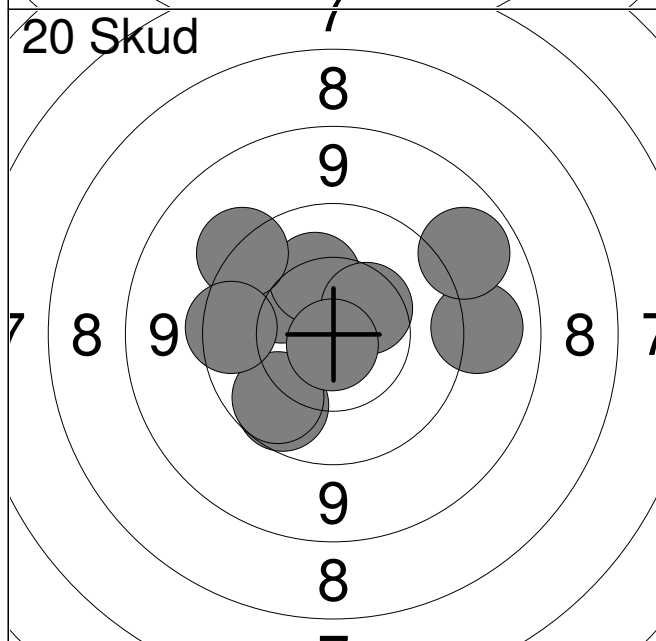
1: 10.4 ↘	6: 10.5 →	Serie 100
2: 10.5 ↘	7: 10.5 ↗	
3: 10.1 →	8: 10.5 ←	Total 100
4: 10.8x ↖	9: 10.7x ↘	
5: 10.6 ↗	10: 10.4 ↖	



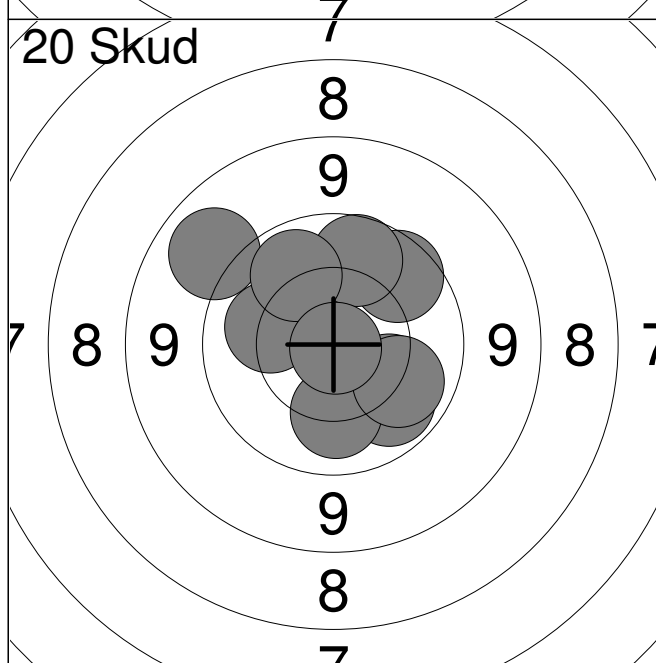
11: 10.7x ↖	16: 10.8x ↘	Serie 96
12: 9.0 ↗	17: 10.3 ↖	
13: 10.3 ↗	18: 10.5 ↘	Total 196
14: 9.9 ↗	19: 9.9 ↘	
15: 9.9 ↗	20: 10.4 ←	



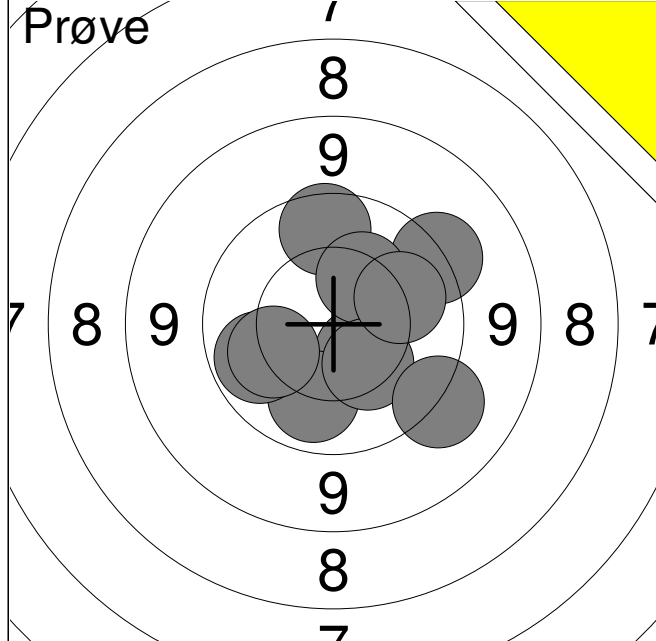
1:	9.0	↖
2:	10.4	↗
3:	9.9	→
4:	10.4	↘
5:	9.7	↑
6:	10.0	←
Serie		57
Total		0



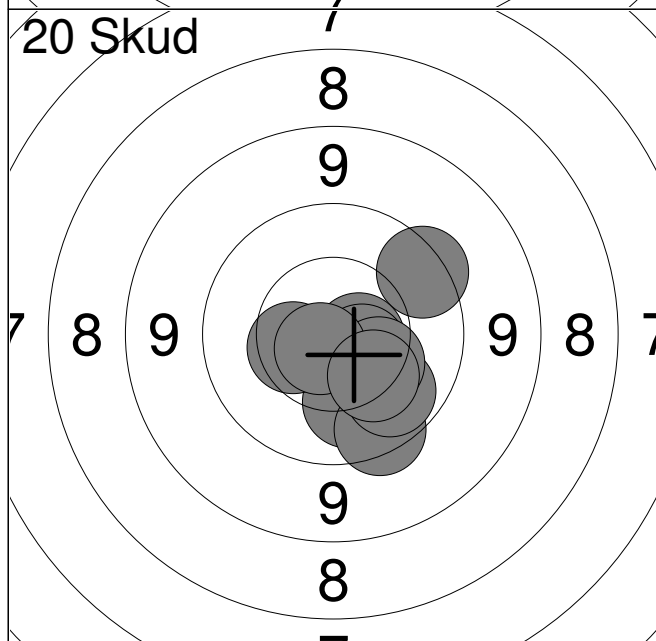
1:	10.2	↖
2:	9.9	↘
3:	10.3	↑
4:	9.5	↗
5:	10.0	↘
6:	9.2	→
7:	9.7	←
8:	10.5	↗
9:	9.1	↗
10:	10.8x	↓
Serie		95
Total		95



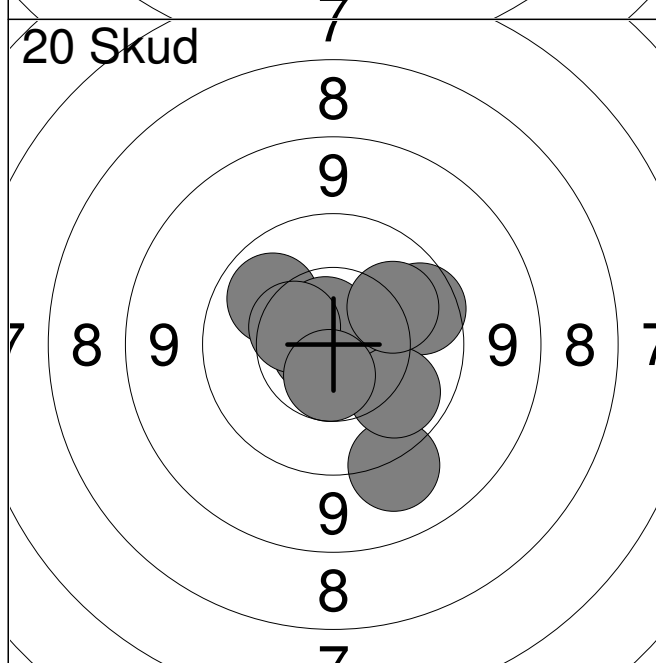
11:	10.2	↘
12:	10.0	↘
13:	10.1	↓
14:	10.2	←
15:	10.1	↘
16:	9.8	↗
17:	9.9	↑
18:	9.1	↗
19:	10.0	↗
20:	10.9x	↘
Serie		97
Total		192



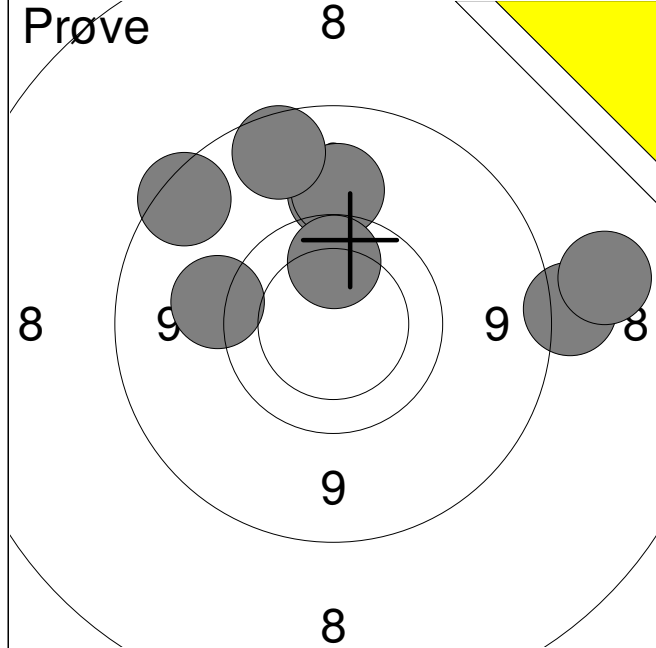
1:	10.5	↘
2:	10.1	↓
3:	10.0	←
4:	9.5	↗
5:	9.8	↑
6:	10.2	←
7:	10.3	↗
8:	10.3	↘
9:	9.3	↘
10:	10.1	↗
Serie	97	
Total	0	



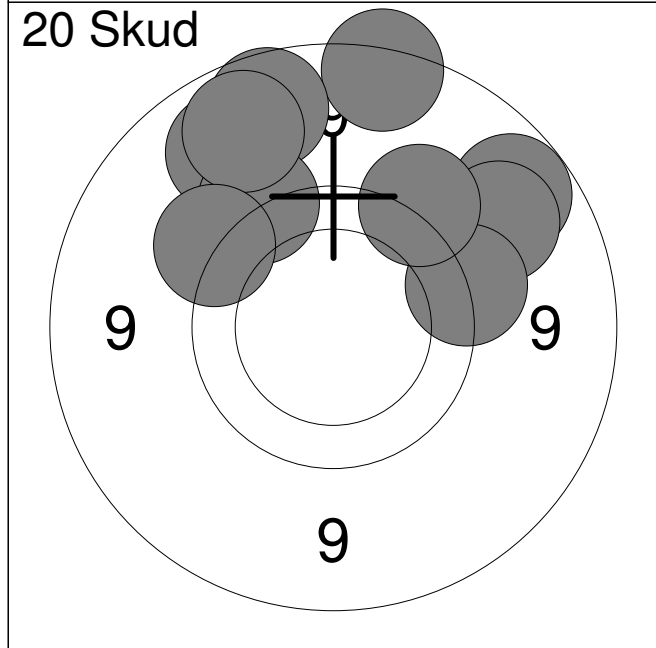
1:	9.6	↗
2:	10.1	↓
3:	9.7	↘
4:	10.5	←
5:	10.0	↘
6:	10.6x	→
7:	10.6	↘
8:	10.3	↘
9:	10.7x	↘
10:	10.3	↘
Serie	98	
Total	98	



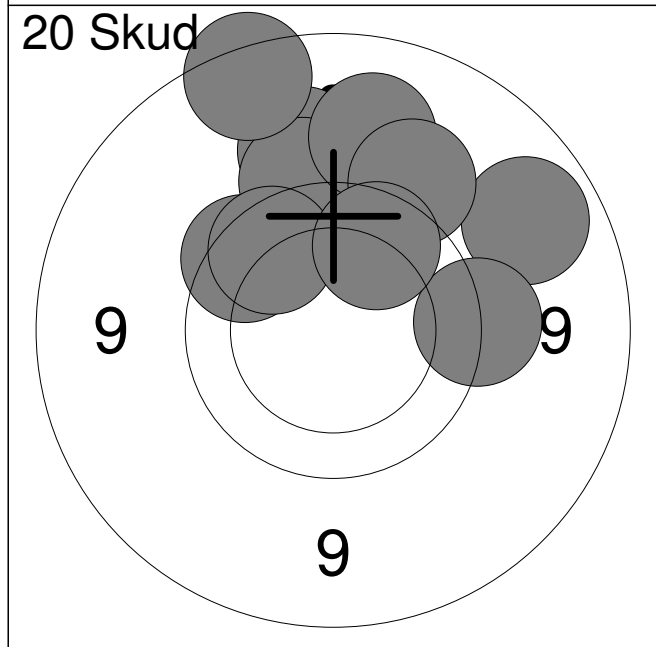
11:	10.1	↗
12:	10.8x	←
13:	10.5	↘
14:	9.3	↘
15:	9.8	↗
16:	10.0	↘
17:	10.7x	↗
18:	10.4	↖
19:	10.6	↓
20:	10.1	↗
Serie	98	
Total	196	



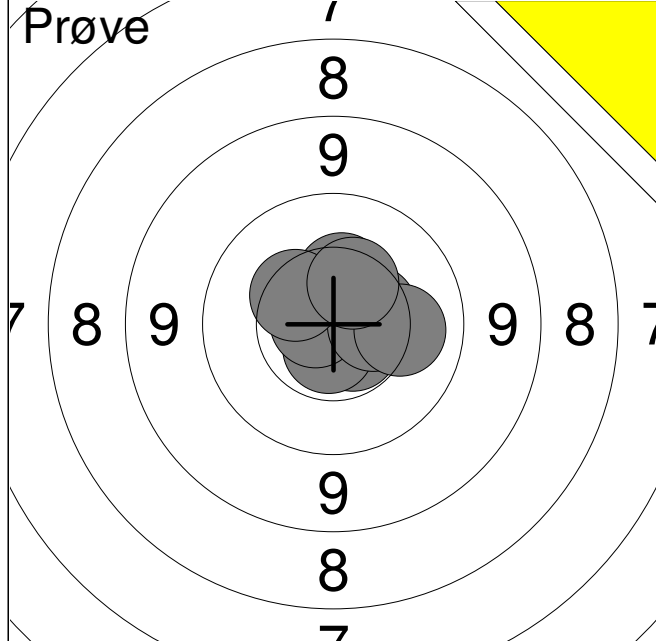
1:	8.6	→
2:	8.3	→
3:	9.3	↑
4:	9.3	↑
5:	9.9	↑
6:	9.4	←
7:	8.9	↑
8:	8.8	↗
Serie		68
Total		0



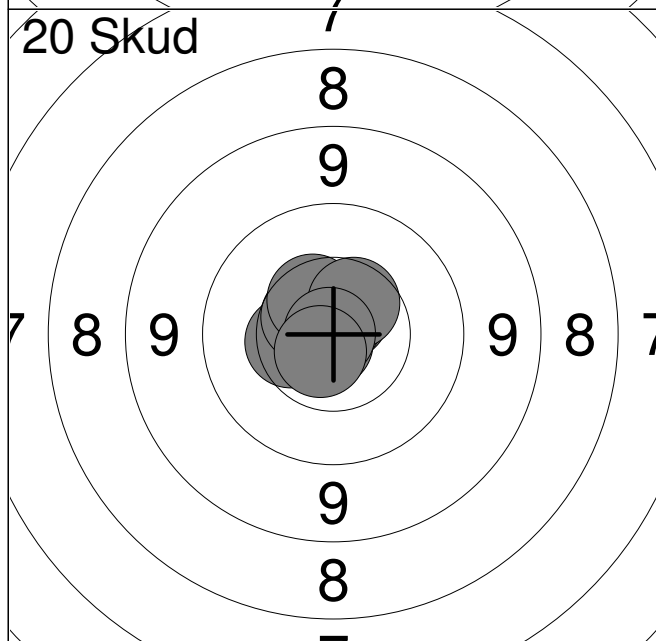
1:	9.1	↖
2:	9.0	↗
3:	8.8	↑
4:	8.9	↑
5:	9.5	↖
6:	9.1	↗
7:	9.5	→
8:	9.0	↑
9:	9.5	↖
10:	9.5	↗
Serie		88
Total		88



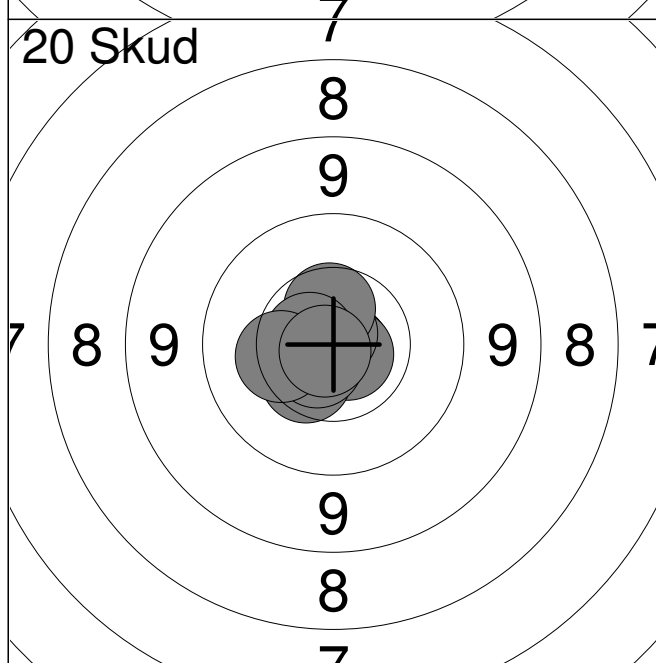
11:	9.8	↖
12:	9.0	↗
13:	9.3	↑
14:	9.5	↑
15:	9.2	↑
16:	9.5	→
17:	9.8	↖
18:	9.4	↖
19:	8.8	↑
20:	9.9	↖
Serie		89
Total		177



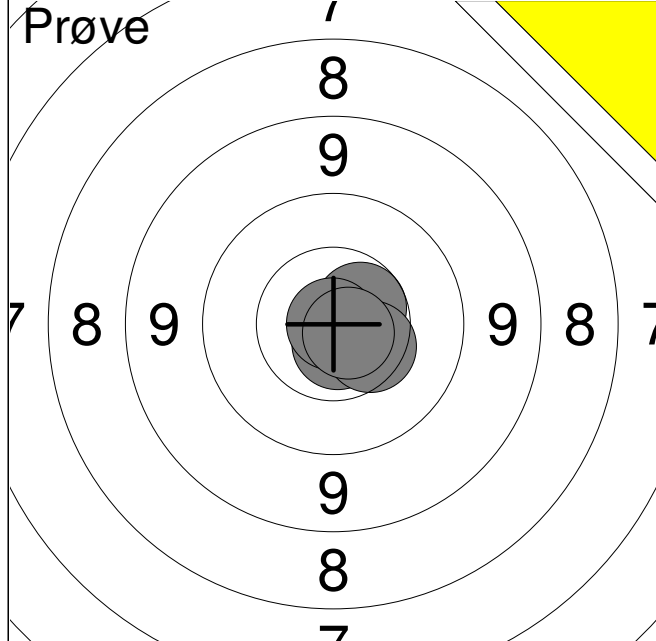
1:	10.6x	↘
2:	10.5	→
3:	10.7x	↓
4:	10.7x	←
5:	10.5	→
6:	10.2	→
7:	10.4	↑
8:	10.4	↖
9:	10.4	↗
Serie		90
Total		0



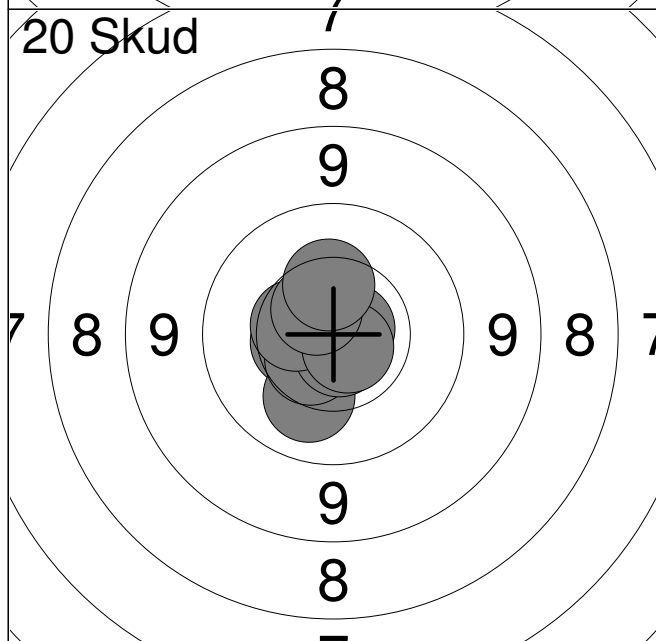
1:	10.8x	↘
2:	10.4	←
3:	10.7x	↗
4:	10.8x	↗
5:	10.8x	↗
6:	10.6	↗
7:	10.5	↗
8:	10.5	↗
9:	10.9x	←
10:	10.7x	↘
Serie		100
Total		100



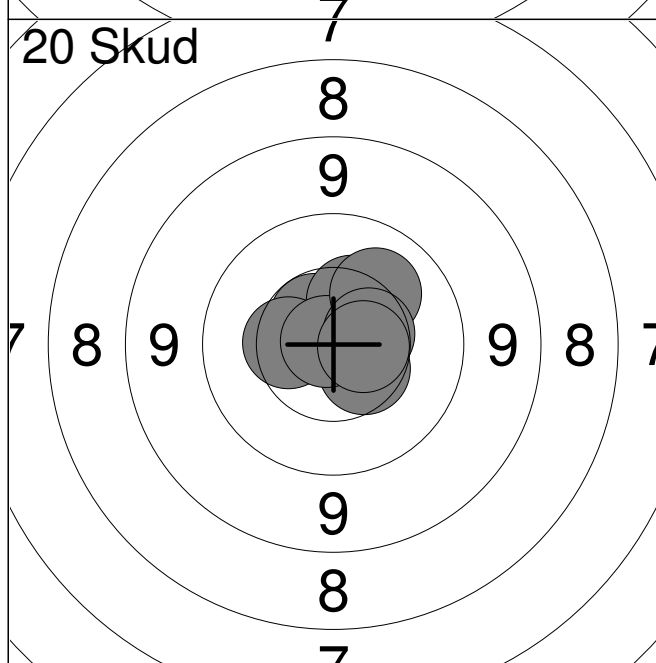
11:	10.8x	↘
12:	10.7x	↘
13:	10.8x	↗
14:	10.8x	↑
15:	10.5	↑
16:	10.4	↘
17:	10.7x	↘
18:	10.7x	←
19:	10.3	←
20:	10.8x	↘
Serie		100
Total		200



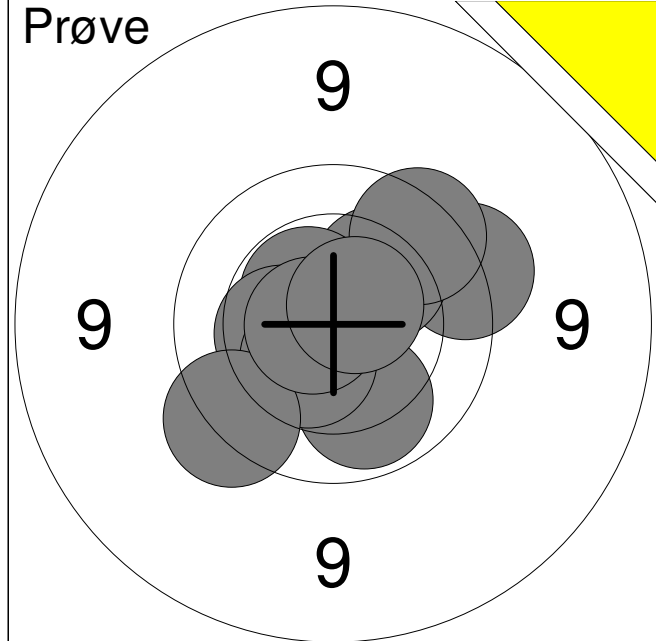
1:	10.7x	↓
2:	10.6	→
3:	10.4	↘
4:	10.9x	←
5:	10.7x	↘
Serie		50
Total		0



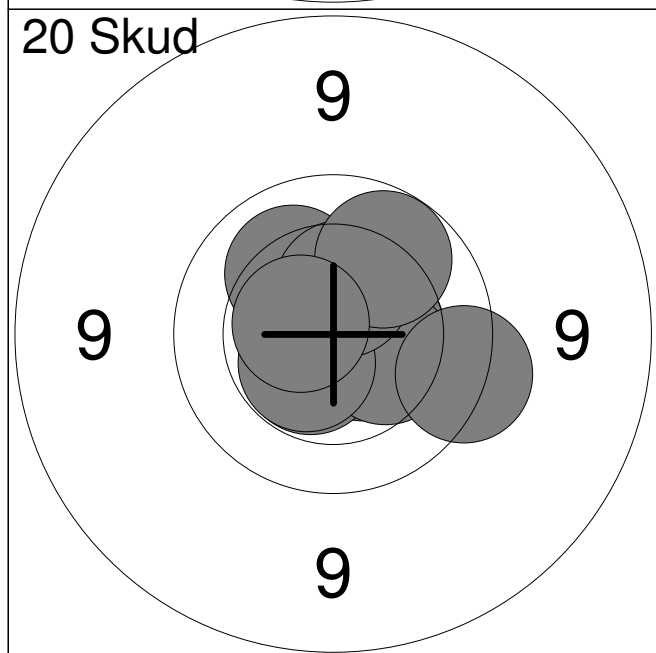
1:	10.8x	↑
2:	10.8x	→
3:	10.5	←
4:	10.2	↓
5:	10.6	↘
6:	10.7x	↓
7:	10.5	←
8:	10.7x	↘
9:	10.6x	↗
10:	10.4	↑
Serie		100
Total		100



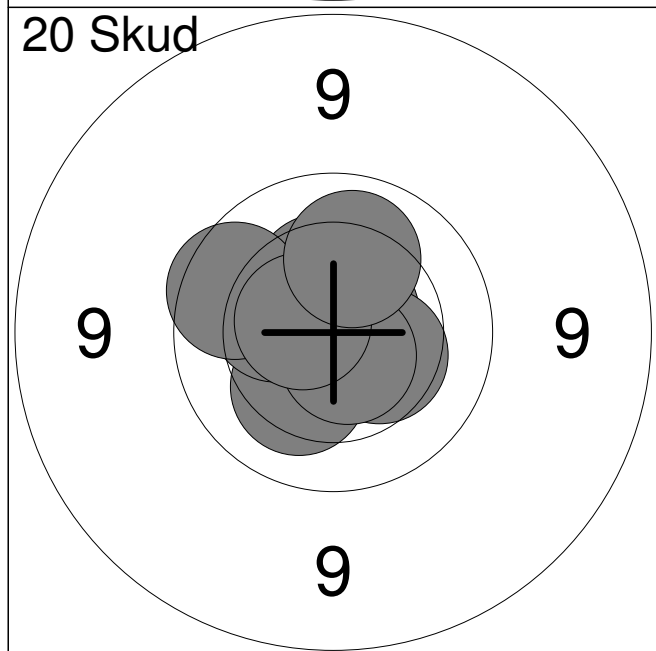
11:	10.8x	↗
12:	10.6x	↗
13:	10.6x	→
14:	10.5	↘
15:	10.4	←
16:	10.4	↑
17:	10.9x	←
18:	10.2	↗
19:	10.5	→
20:	10.6x	→
Serie		100
Total		200



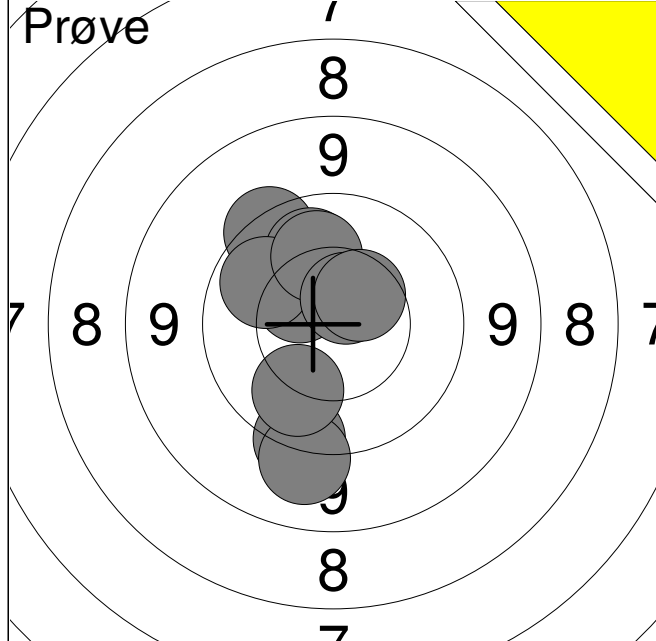
1:	9.6	→
2:	10.2	↗
3:	10.0	↓
4:	10.5x	↗
5:	9.8	↗
6:	10.4	←
7:	10.5	↓
8:	9.6	↙
9:	10.7x	←
10:	10.6x	↗
Serie		97
Total		0



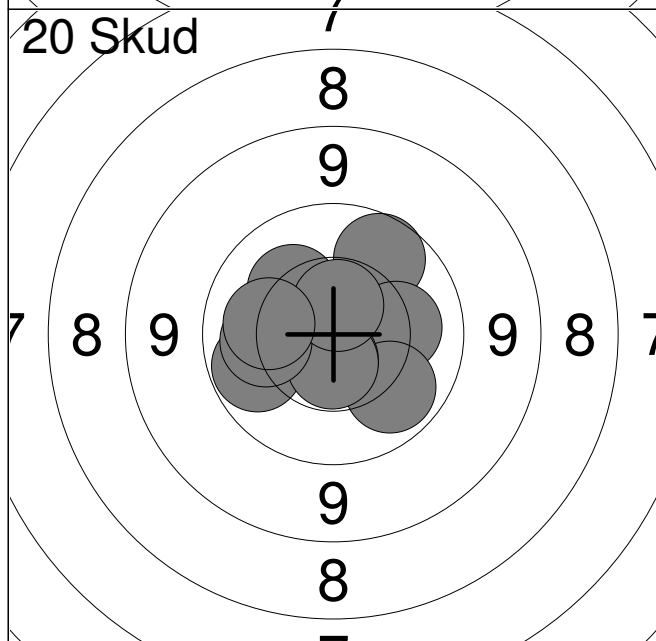
1:	10.5	→
2:	10.2	↗
3:	10.6x	↓
4:	10.5x	↓
5:	10.3	→
6:	10.5x	↙
7:	10.4	↑
8:	10.0	↗
9:	9.7	→
10:	10.6x	←
Serie		99
Total		99



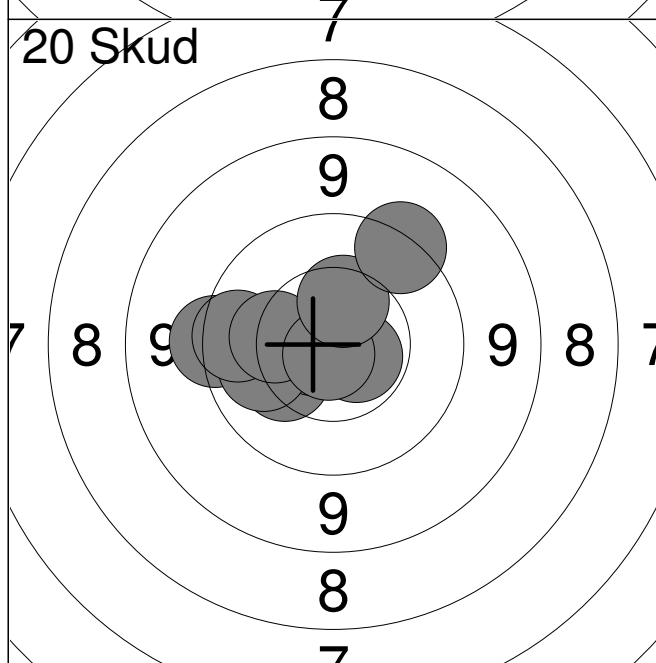
11:	10.7x	↗
12:	10.4	→
13:	10.5x	↖
14:	10.2	↓
15:	10.4	↑
16:	10.3	↖
17:	9.8	↖
18:	10.6x	↓
19:	10.6x	↖
20:	10.1	↑
Serie		99
Total		198



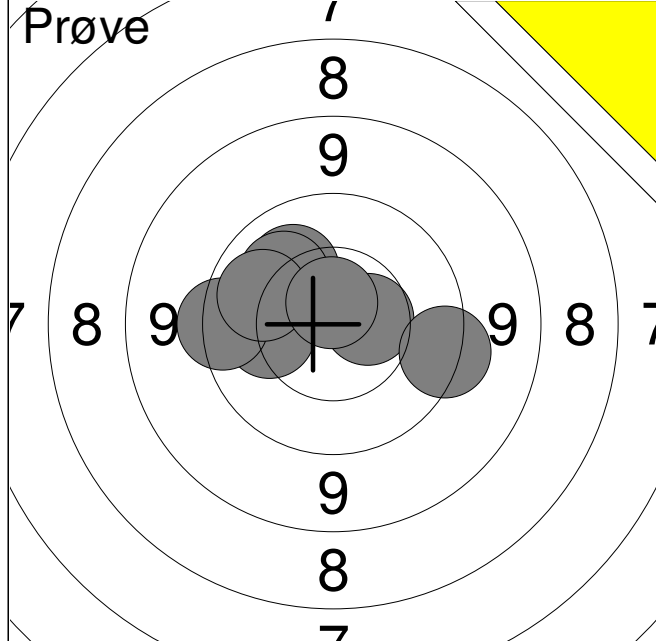
1:	9.5	↓
2:	9.3	↓
3:	10.1	↓
4:	9.6	↗
5:	10.1	↑
6:	10.4	↗
7:	10.0	↖
8:	10.1	↑
9:	10.6x	↗
10:	10.5	↗
Serie		97
Total		0



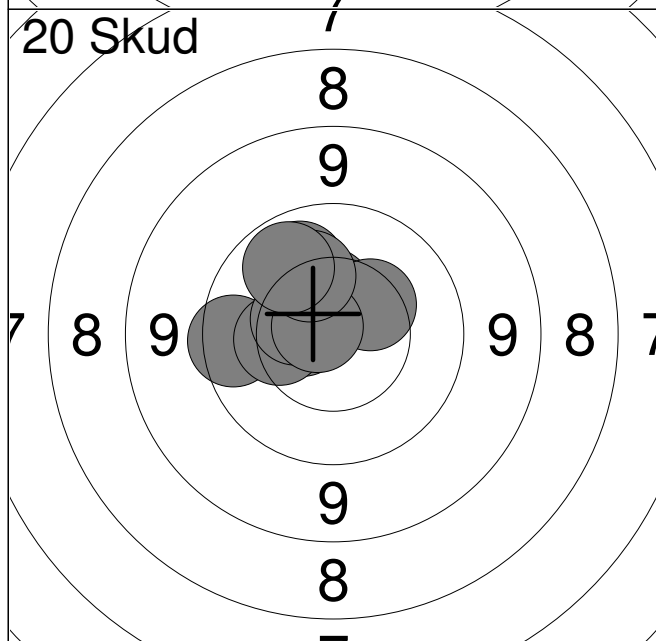
1:	9.9	↗
2:	10.2	→
3:	10.0	↓
4:	10.0	←
5:	10.6x	↓
6:	10.6x	↓
7:	10.2	↗
8:	10.2	←
9:	10.6x	↑
10:	10.2	←
Serie		99
Total		99



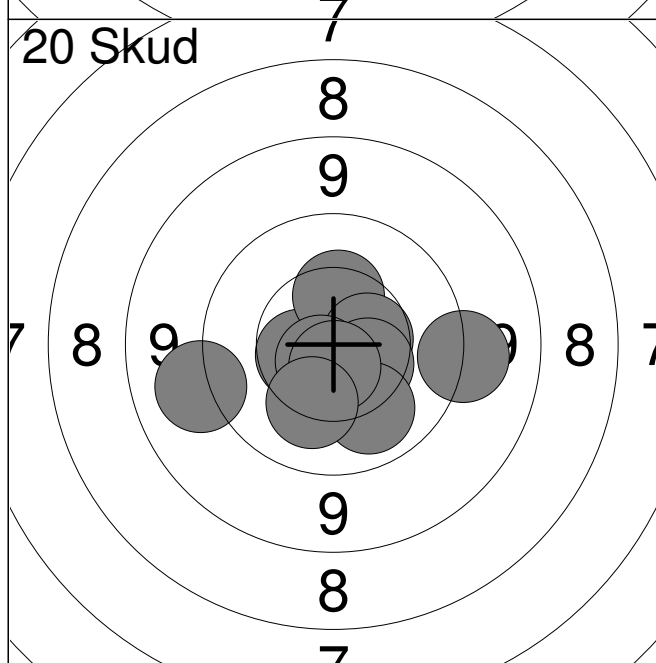
11:	10.3	↖
12:	9.5	←
13:	10.6x	↘
14:	10.7x	←
15:	10.1	←
16:	9.8	←
17:	10.3	←
18:	10.8x	↓
19:	10.4	↑
20:	9.5	↗
Serie		97
Total		196



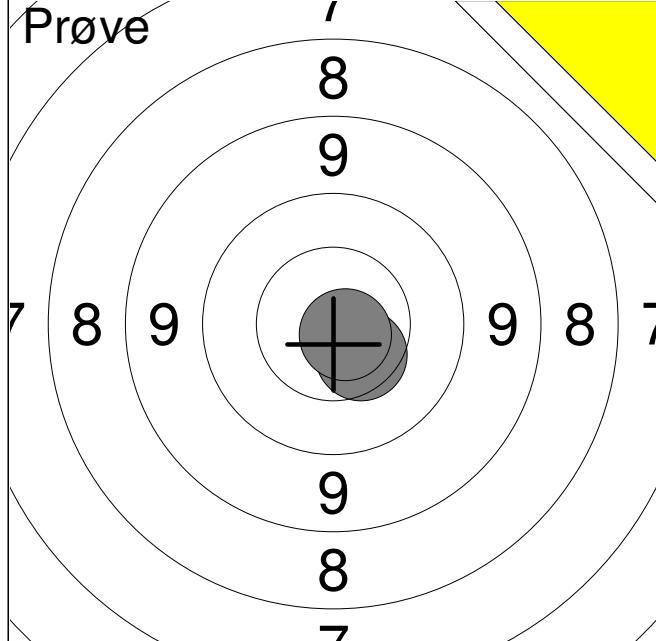
1:	10.2	↗
2:	10.5	→
3:	10.2	←
4:	9.6	←
5:	9.5	↘
6:	10.1	↗
7:	10.1	↖
8:	10.7x	↑
Serie		78
Total		0



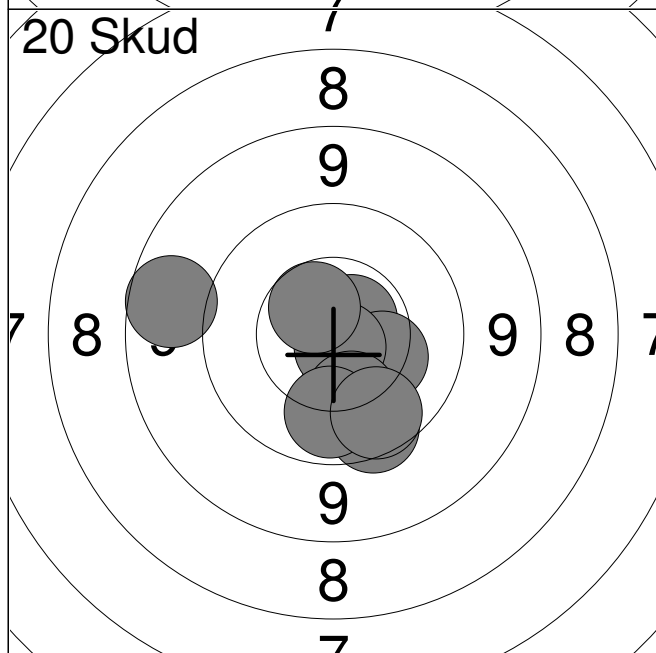
1:	10.5	↑
2:	10.1	↗
3:	10.6	←
4:	9.7	←
5:	10.3	←
6:	10.4	↗
7:	10.5	↖
8:	10.7x	↖
9:	10.2	↑
10:	10.0	↗
Serie		99
Total		99



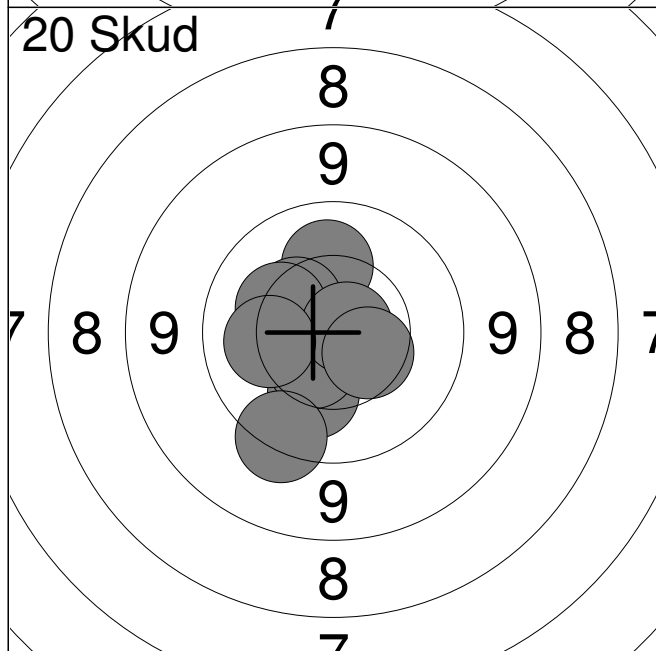
11:	10.6	←
12:	10.4	↑
13:	9.2	←
14:	9.4	→
15:	10.5	→
16:	10.5	↘
17:	10.7x	↘
18:	10.1	↘
19:	10.7x	↓
20:	10.2	↓
Serie		98
Total		197



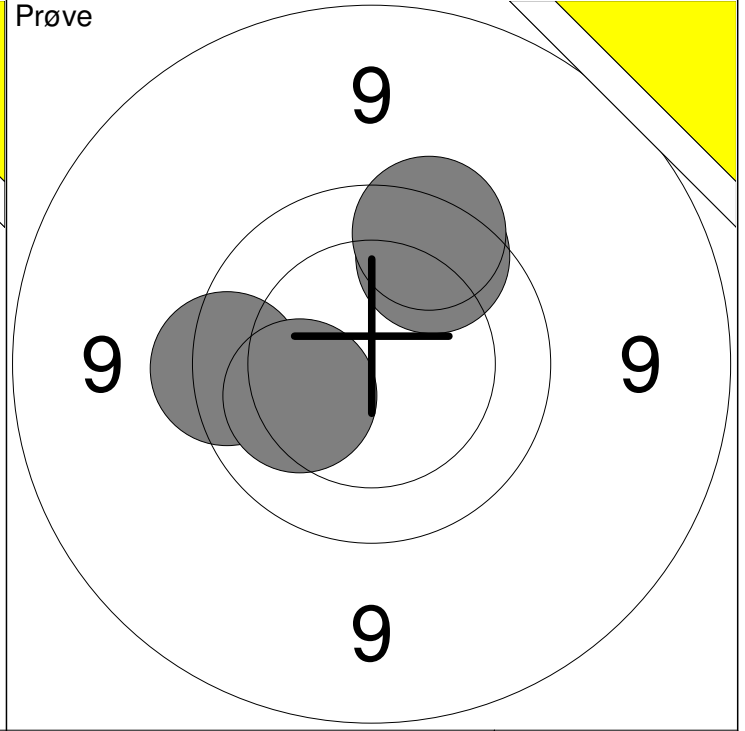
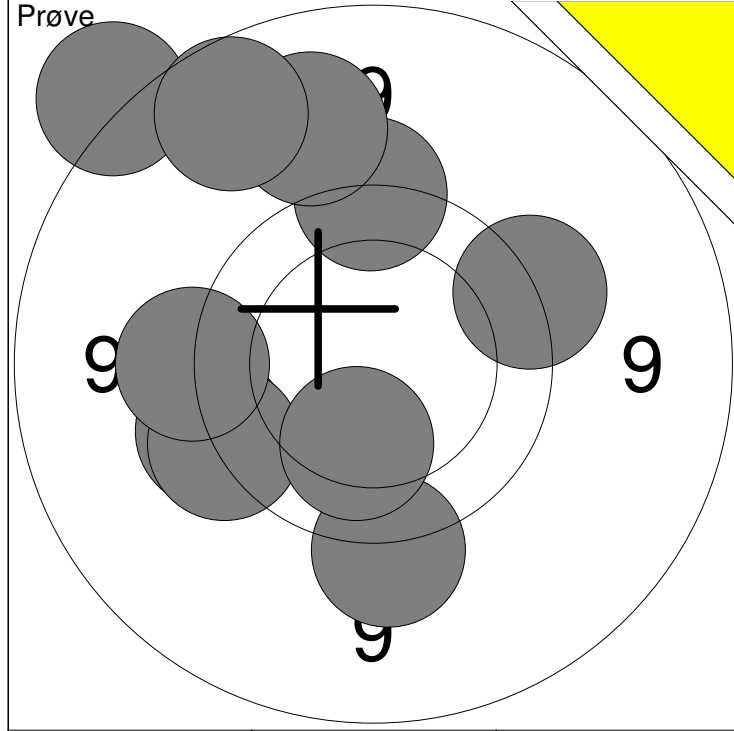
1:	10.5	↘
2:	10.8x	↘
Serie		20
Total		0



1:	10.2	↓
2:	10.7x	↗
3:	10.3	↘
4:	10.8x	↘
5:	10.6	↗
6:	9.7	↘
7:	10.2	↘
8:	10.0	↘
9:	8.9	←
10:	9.9	↘
Serie		96
Total		96

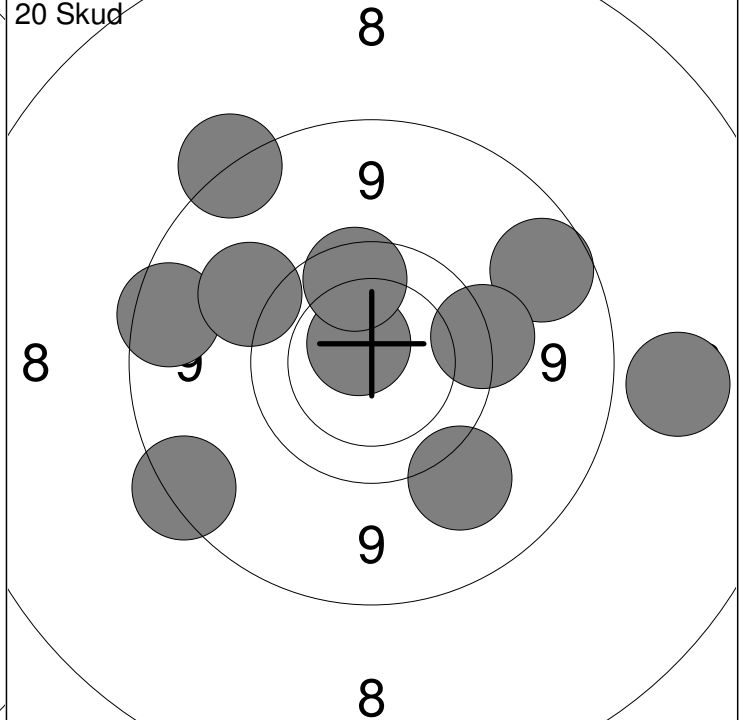
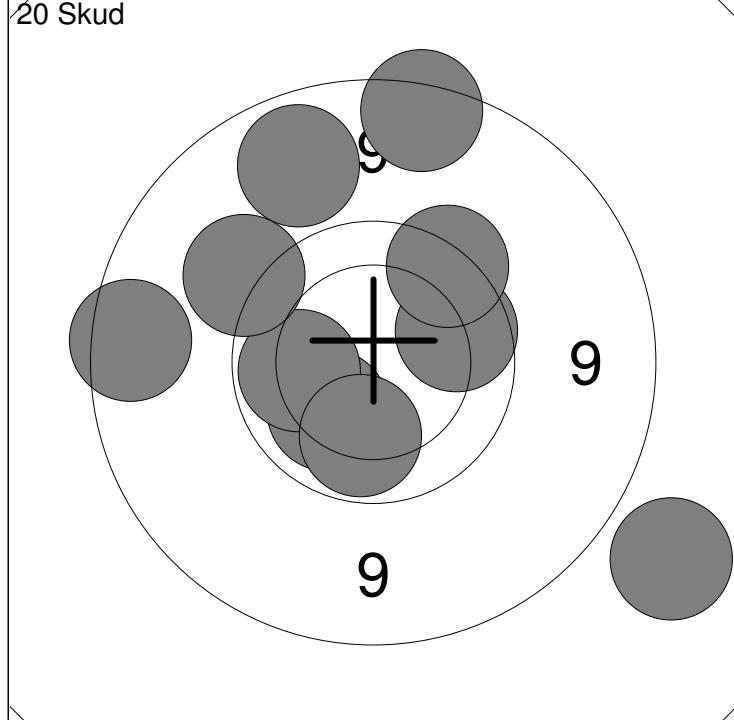


11:	10.2	↑
12:	10.4	←
13:	10.4	↗
14:	10.2	↘
15:	10.5	↘
16:	10.3	↖
17:	10.8x	↗
18:	9.5	↘
19:	10.2	←
20:	10.5	↘
Serie		99
Total		195



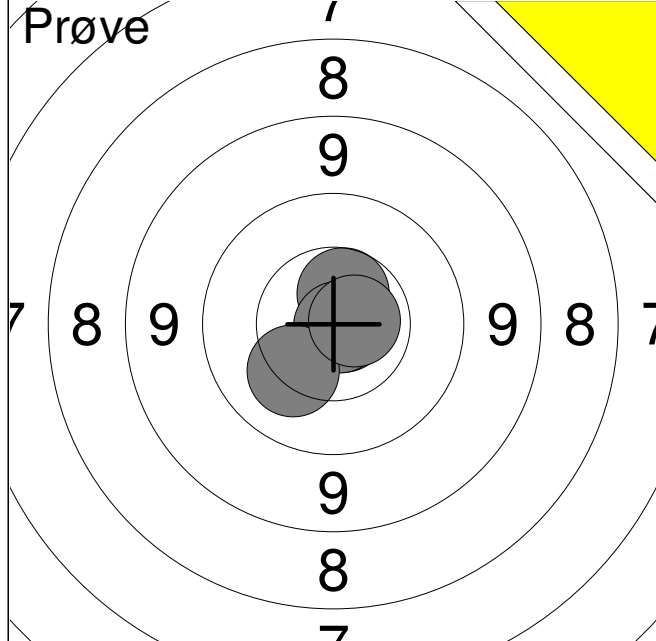
1: 9.6 ↑	6: 9.5 ←	Serie	89
2: 9.2 ↑	7: 9.6 ←		
3: 8.6 ↖	8: 9.5 ←	Total	0
4: 9.6 →	9: 9.5 ↓		
5: 8.9 ↖	10: 10.2 ↓		

11: 9.8 ↗	Serie	37
12: 9.7 ←		
13: 9.7 ↗	Total	0
14: 10.2 ←		

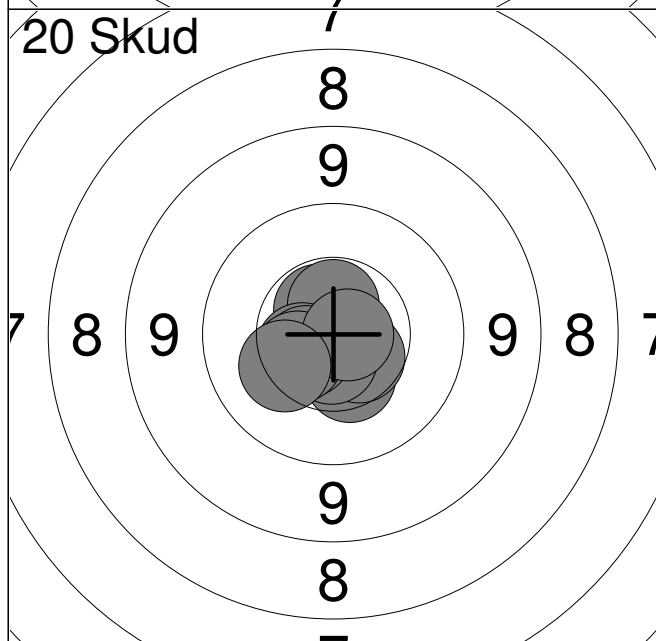


1: 10.1 ↖	6: 9.7 ↗	Serie	90
2: 9.9 →	7: 8.8 ↑		
3: 8.3 ↘	8: 9.0 ↑	Total	90
4: 10.0 ←	9: 8.9 ←		
5: 10.0 ↓	10: 9.4 ↖		

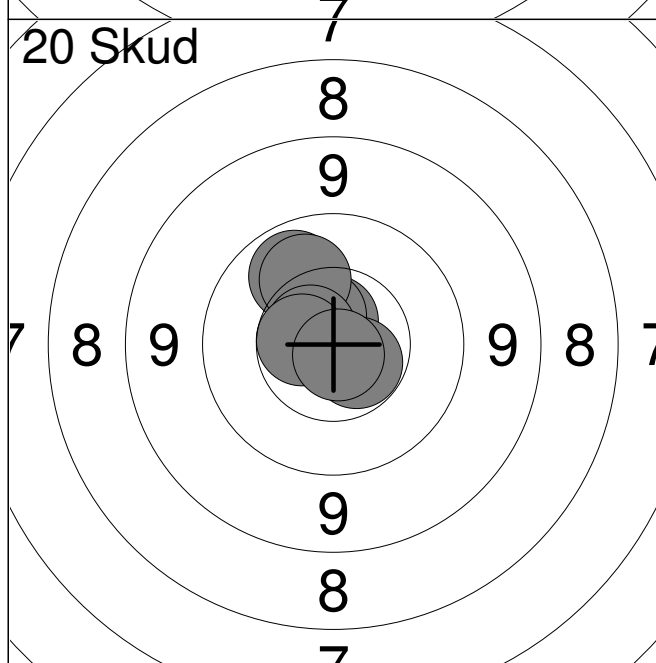
11: 10.6x ↗	16: 8.9 ←	Serie	86
12: 8.7 ↖	17: 9.8 ↑		
13: 8.9 →	18: 9.4 ↖	Total	176
14: 9.6 →	19: 8.3 →		
15: 9.3 ↓	20: 8.8 ↖		



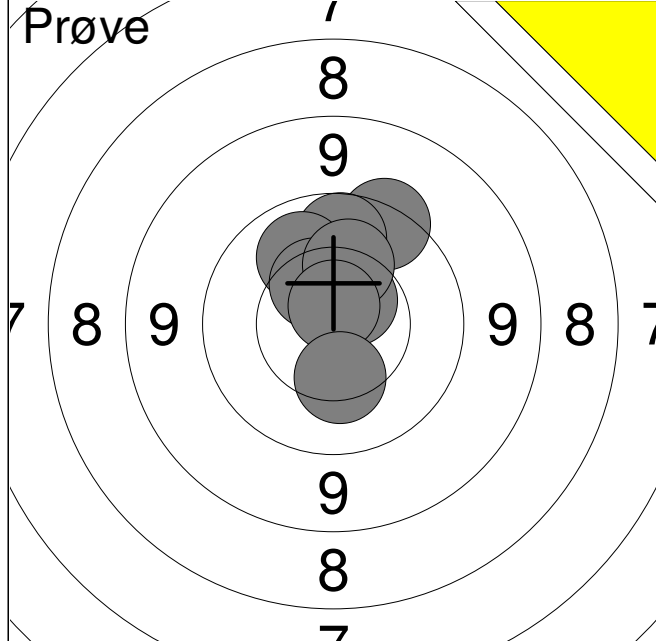
1:	10.6	↗
2:	10.8x	→
3:	10.9x	↘
4:	10.2	↙
5:	10.7x	→
Serie		50
Total		0



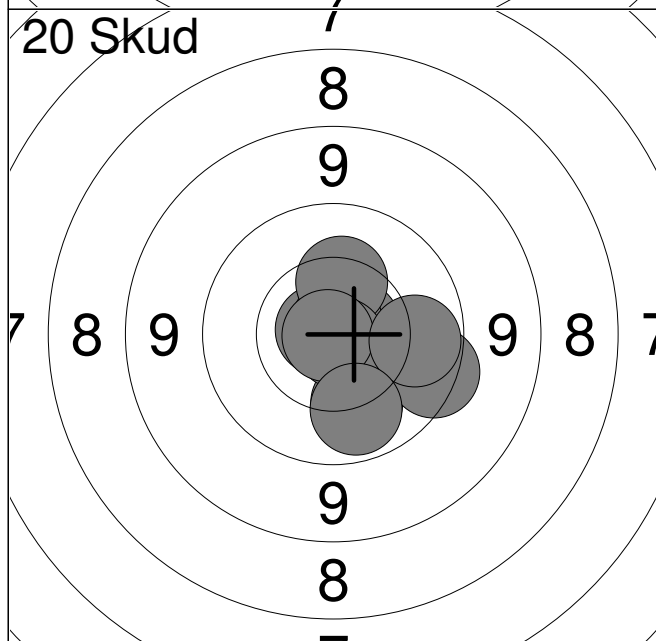
1:	10.6x	↗
2:	10.6x	↑
3:	10.4	↘
4:	10.5	↘
5:	10.5	↙
6:	10.7x	↓
7:	10.6	↙
8:	10.5	↙
9:	10.8x	→
10:	10.3	↙
Serie		100
Total		100



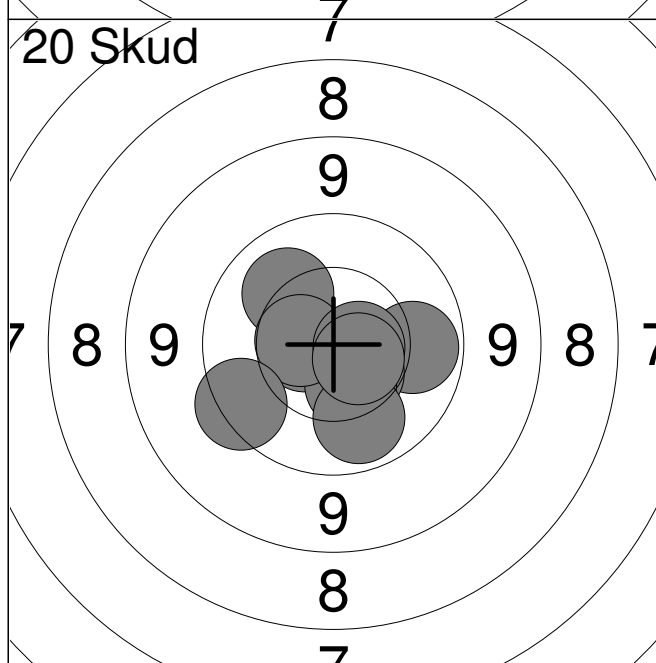
11:	10.7x	↗
12:	10.7x	↑
13:	10.0	↗
14:	10.8x	↗
15:	10.6	↗
16:	10.1	↗
17:	10.6x	↗
18:	10.6	←
19:	10.6x	↘
20:	10.8x	↘
Serie		100
Total		200



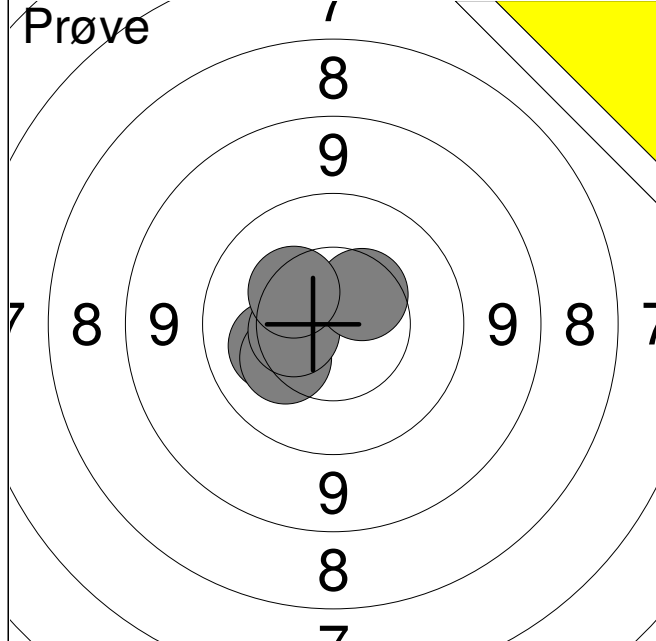
1:	9.6	↗
2:	9.9	↑
3:	10.1	↗
4:	10.4	↗
5:	10.6x	↗
6:	10.2	↑
7:	10.7x	↑
8:	10.3	↓
Serie		78
Total		0



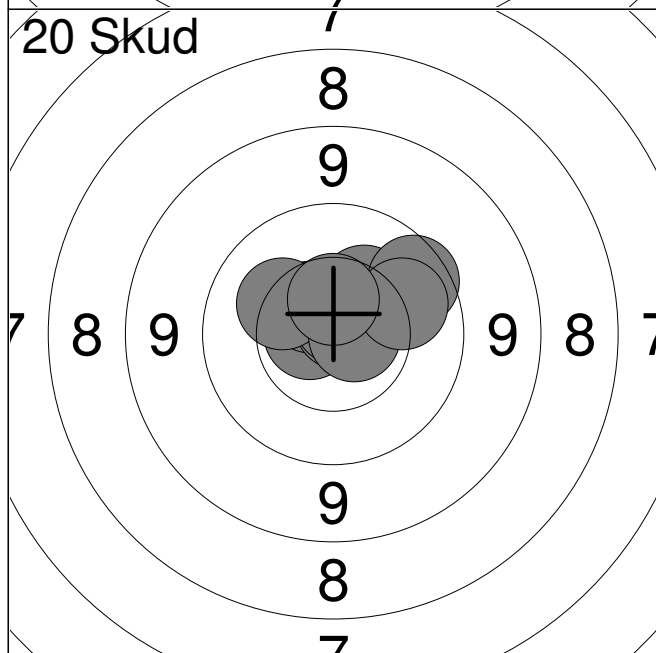
1:	10.7x	↗
2:	10.8x	↖
3:	10.8x	↑
4:	10.1	↓
5:	10.3	↑
6:	10.8x	↓
7:	9.7	↗
8:	10.9x	↖
9:	10.0	↗
10:	10.0	↓
Serie		99
Total		99



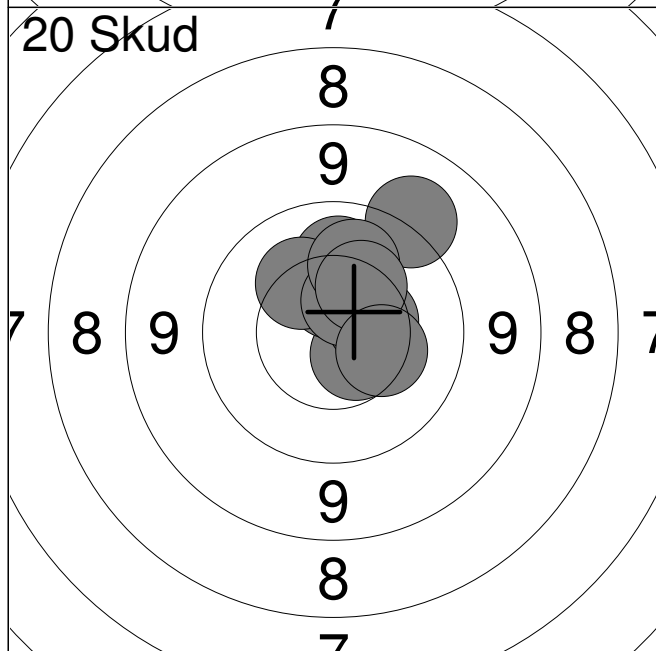
11:	10.0	→
12:	10.5	↓
13:	10.6x	↖
14:	10.4	↓
15:	10.0	↓
16:	10.1	↗
17:	10.6	↖
18:	9.6	↖
19:	10.6x	→
20:	10.6x	↘
Serie		99
Total		198



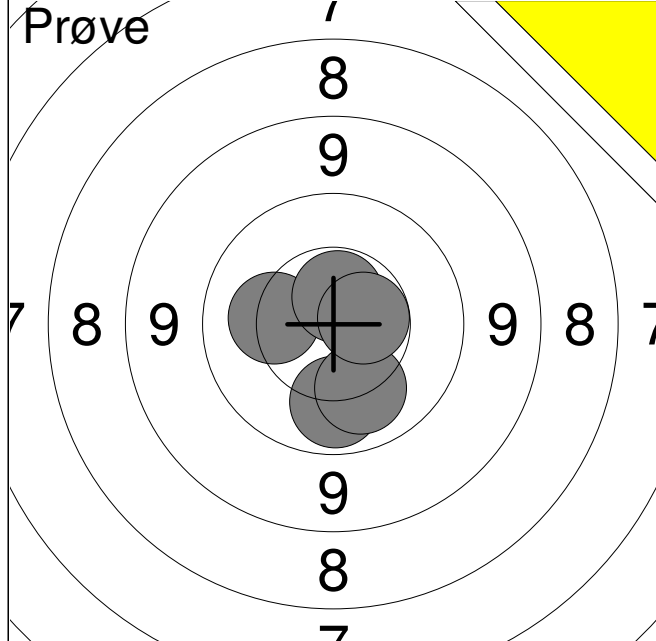
1:	10.2	←
2:	10.3	↙
3:	10.5	←
4:	10.5	↗
5:	10.4	↖
Serie		50
Total		0



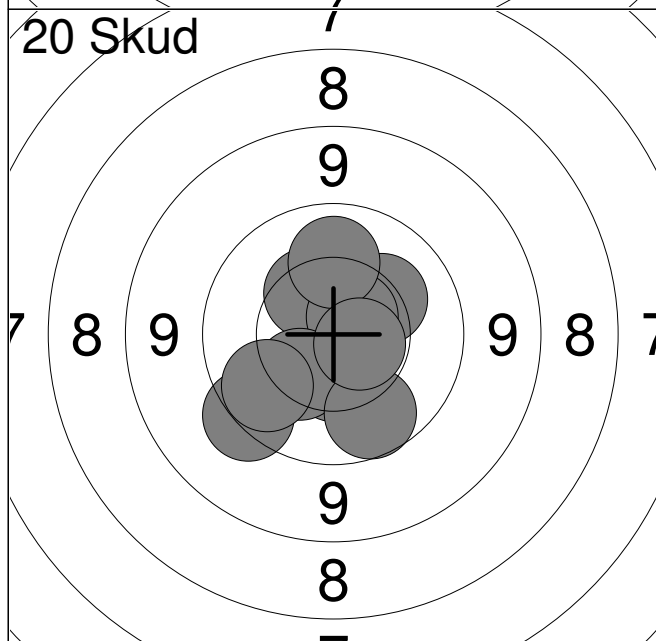
1:	10.7x	←
2:	10.3	↗
3:	10.5	↖
4:	10.8x	↗
5:	10.8x	↗
6:	10.3	↖
7:	10.7x	→
8:	9.8	↗
9:	10.1	↗
10:	10.5	↑
Serie		99
Total		99



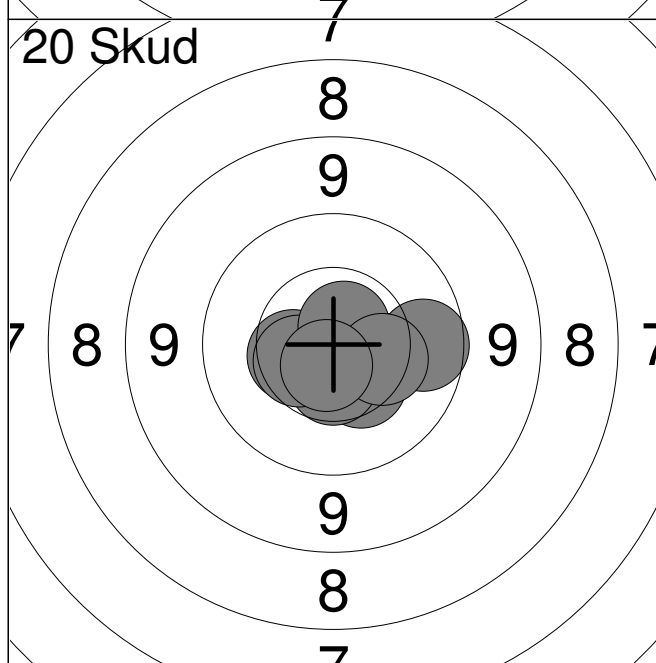
11:	10.1	↑
12:	10.6	↘
13:	10.5	↑
14:	10.3	↗
15:	10.5	→
16:	9.3	↗
17:	10.5	↗
18:	10.1	↗
19:	10.3	↗
20:	10.3	↘
Serie		99
Total		198



1:	10.0		↓
2:	10.2		←
3:	10.1		↓
4:	10.6x		↑
5:	10.6x		→
Serie			50
Total			0



1:	10.2		↗
2:	10.4		↗
3:	10.5		↓
4:	9.5		↙
5:	10.6x		↗
6:	10.3		↙
7:	9.9		↓
8:	10.0		↙
9:	10.1		↑
10:	10.6x		→
Serie			98
Total			98



11:	10.5		←
12:	10.4		↓
13:	10.7x		↓
14:	10.4		→
15:	10.5		↓
16:	10.5		←
17:	10.7x		↗
18:	9.9		→
19:	10.3		→
20:	10.7x		↓
Serie			99
Total			197